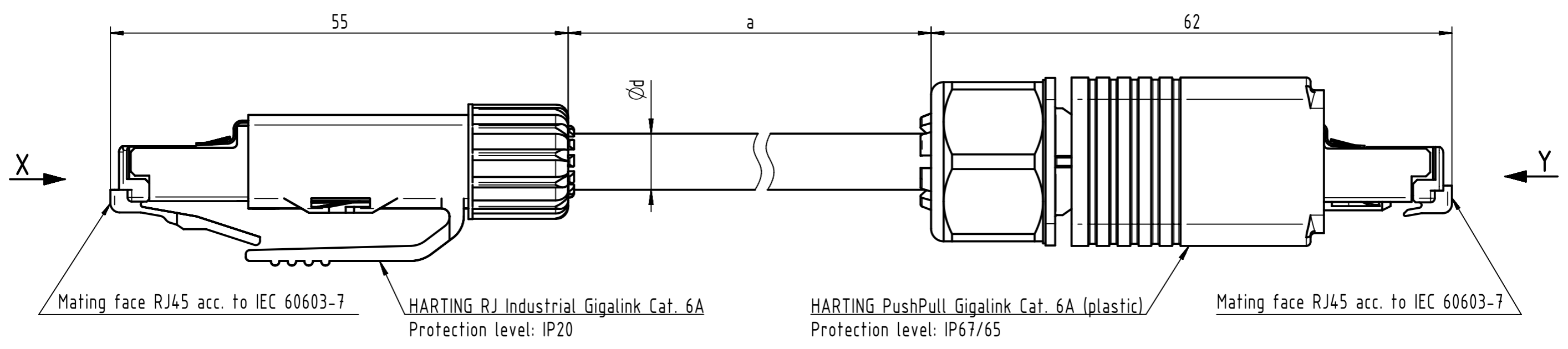


Connector Location A

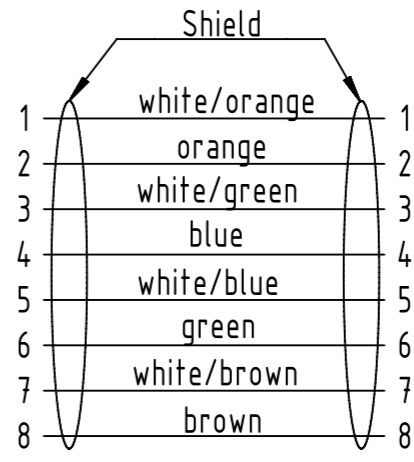
Connector Location B



X
male

Loading-Plan
acc. to TIA/EIA 568B

Y
male



-Temperature range: static condition -20°C ...+70°C

	All rights reserved		Created by MUNTEANV		Inspected by MUNTEANV		Standardisation MUNTEANV		Date 2017-12-11		State Final Release		
	Department HCS - RO		Title RJ Industrial Cable Assembly		Type TB		Number 09457011YYY		Doc-Key / ECM-Nr. 100121364/UGD/011/K 500000128973		Rev. K Page 1/2		
HARTING Customised Solutions		D-32339 Espelkamp											

1	2	3	4	5	6	7	8																																																
A																																																							
B	36	09457011523	RJ45 Ethernet stranded cable, AWG 26/7, 4x2x0.5/1.0, PVC, Cat. 6A, yellow	100	6.6																																																		
	35	09457011525		70																																																			
	34	09457011522		50																																																			
	33	09457011524		30																																																			
	32	09457011521		25																																																			
	31	09457011514		20																																																			
	30	09457011513		15																																																			
	29	09457011512		10																																																			
	28	09457011519		9																																																			
	27	09457011518		8																																																			
	26	09457011517		7																																																			
	25	09457011520		6																																																			
	24	09457011511		5																																																			
	23	09457011516		4																																																			
	22	09457011510		3																																																			
	21	09457011526		2.5																																																			
	20	09457011515		2																																																			
	19	09457011509		1.5																																																			
	18	09457011508		1																																																			
	17	09457011507	0.5																																																				
C																																																							
D	16	09457011118	RJ45 Ethernet stranded cable, 4x2xAWG 26/7, outdoor, PVC, Cat. 5, black	50	6.7																																																		
	15	09457011117		35																																																			
	14	09457011116		20																																																			
	13	09457011115		15																																																			
	12	09457011114		10																																																			
	11	09457011113		9																																																			
	10	09457011112		8																																																			
	9	09457011111		7																																																			
	8	09457011110		6																																																			
	7	09457011109		5																																																			
	6	09457011108		4																																																			
	5	09457011107		3																																																			
	4	09457011106		2																																																			
	3	09457011105		1.5																																																			
	2	09457011104		1																																																			
	1	09457011103		0.5																																																			
E																																																							
F	Cont. no.	Part no.		Type of cable		Dim. a[m]	Dim. d[mm]	 All rights reserved Department HCS - RO HARTING Customised Solutions D-32339 Espelkamp																																															
								<table border="1"> <tr> <td colspan="2">Tech. Character.</td> <td colspan="2">Free size tol.</td> <td colspan="2">According to production drawing</td> </tr> <tr> <td>Created by</td> <td>Inspected by</td> <td>Standardisation</td> <td>Date</td> <td colspan="2">State</td> </tr> <tr> <td>MUNTEANV</td> <td>MUNTEANV</td> <td>MUNTEANV</td> <td>2017-12-11</td> <td colspan="2">Final Release</td> </tr> <tr> <td colspan="3">Title</td> <td colspan="2">Doc-Key / ECM-Nr.</td> <td></td> </tr> <tr> <td colspan="3">RJ Industrial Cable Assembly</td> <td colspan="2">100121364/UGD/011/K</td> <td></td> </tr> <tr> <td colspan="3"></td> <td colspan="2">500000128973</td> <td></td> </tr> <tr> <td>Type</td> <td>Number</td> <td colspan="2">Rev.</td> <td colspan="2">Page</td> </tr> <tr> <td>TB</td> <td>09457011YYYY</td> <td colspan="2">K</td> <td colspan="2">2/2</td> </tr> </table>		Tech. Character.		Free size tol.		According to production drawing		Created by	Inspected by	Standardisation	Date	State		MUNTEANV	MUNTEANV	MUNTEANV	2017-12-11	Final Release		Title			Doc-Key / ECM-Nr.			RJ Industrial Cable Assembly			100121364/UGD/011/K						500000128973			Type	Number	Rev.		Page		TB	09457011YYYY	K	
Tech. Character.		Free size tol.		According to production drawing																																																			
Created by	Inspected by	Standardisation	Date	State																																																			
MUNTEANV	MUNTEANV	MUNTEANV	2017-12-11	Final Release																																																			
Title			Doc-Key / ECM-Nr.																																																				
RJ Industrial Cable Assembly			100121364/UGD/011/K																																																				
			500000128973																																																				
Type	Number	Rev.		Page																																																			
TB	09457011YYYY	K		2/2																																																			
1	2	3	4	5	6	7	8																																																

Mouser Electronics

Authorized Distributor

Click to View Pricing, Inventory, Delivery & Lifecycle Information:

HARTING:

[09457011509](#) [09457011510](#) [09457011511](#) [09457011512](#) [09457011514](#) [09457011507](#) [09457011508](#)
[09457011117](#) [09457011523](#) [09457011513](#) [09457011114](#)