

T1/E1 Line Interface Modules



SMD Package

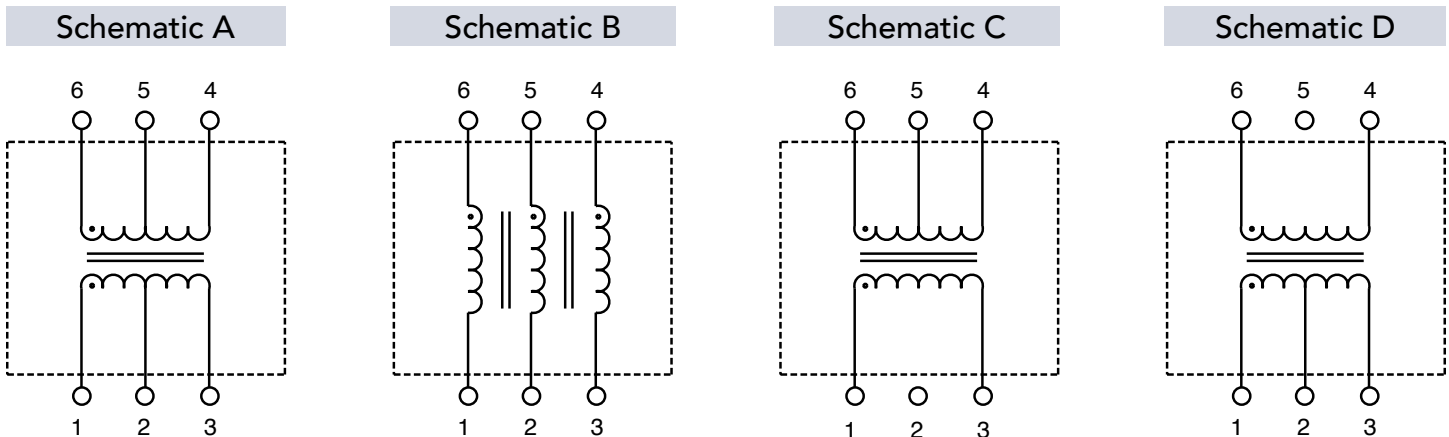


Product Features:

- Standard series of 6 pin SMD Line Interface Modules to meet the isolation and impedance matching requirements for T1, E1, CEPT and PRI ISDN applications.
- Isolation modules are available for all popular LIU's.
- 1,500 Vrms hi-pot
- Patented Open Frame Construction
- UL60950 and EN60950

Part Number	Schem.	Turns Ratio PRI/SEC	OCL (mH Typ)	Cw/w (pF max)	DCR Pri (Ω max)	Primary Pins	Temperature Range
TG02-1205NSRL	D	1CT:1	1.2	30	0.70	1-3	0 to +70C
TG04-1205NSRL	A	1CT:1CT	1.2	30	0.70	1-3	0 to +70C
TG08-1205NSRL	A	1CT:2CT	1.2	30	0.70	1-3	0 to +70C
TG10-1205NSRL	B	1:1:1	1.2	30	0.70	3-4	0 to +70C
TG15-1205NSRL	D	2CT:1	1.2	30	0.70	1-3	0 to +70C
TG23-1505NSRL	C	1:2.42CT	1.5	35	0.80	1-3	-40 to +85C
TG37-1205NSRL	C	1:1.14CT	1.2	30	0.70	1-3	0 to +70C
TG38-1205NSRL	D	1:1.15CT	1.2	30	0.70	4-6	0 to +70C
TG42-1205NSRL	A	1CT:1.41CT	1.2	30	0.70	1-3	0 to +70C
TG70-1205NSRL	C	1:1.36CT	1.2	30	0.70	1-3	0 to +70C
TG71-1205NSRL	C	1:2.3CT	1.2	30	0.70	1-3	0 to +70C

Note: Please contact the factory for "LF" lead free availability.



T1/E1 Line Interface Modules

Package NS



Recommended
Solder Pad Dimensions

Dimensions: inches [mm]
Co-Planarity: 0.004 [0.10]

US Patent Numbers

5,656,985 6,297,721 B1
6,297,720 B1 6,320,489 B1
6,344,785 B1 6,662,431 B1



2880 Lakeside Drive #116
Santa Clara, CA 95054
(650) 903-3800
www.haloelectronics.com

HALO® Electronics is a leading supplier of high quality communication magnetics including signal transformers, filters, CMR chokes, PoE power transformers, DC/DC converters, and integrated Ethernet connectors. HALO's leading edge technology solutions are manufactured in ISO9001 and ISO14001 factories offering high quality products at a competitive price.