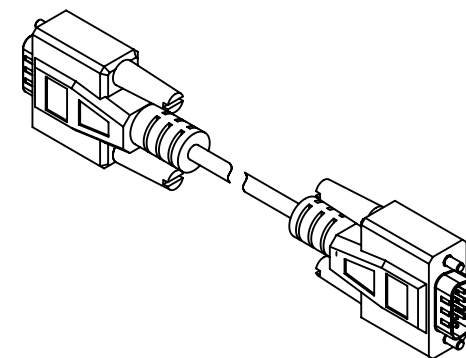
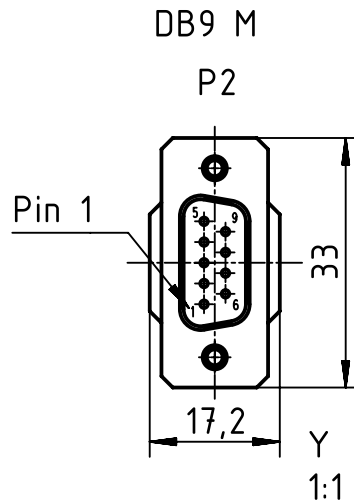
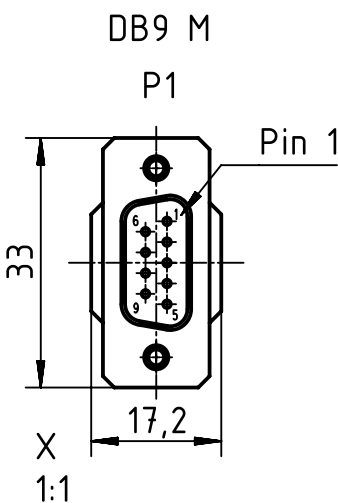
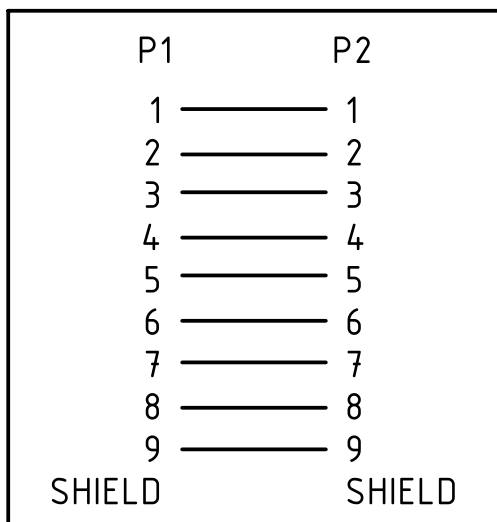


circuit diagram



	All rights reserved Department EL PD - DE	All Dimensions in mm Original Size DIN A4		Scale 1:2	Free size tol.	Ref. Sub.		
		Created by FINKEV	Inspected by BERGHORN	Standardisation RUETERA	Date 2014-12-09	State Final Release		
HARTING Electric GmbH & Co. KG D-32339 Espelkamp		Title Cable SUB-D9,m-m; 5 m				Doc-Key / ECM-Nr. 100093539/UGD/003/A 500000082786		
		Type TB	Number 39 50 903 0011			Rev. A	Page 1/1	

Mouser Electronics

Authorized Distributor

Click to View Pricing, Inventory, Delivery & Lifecycle Information:

[HARTING:](#)

[39509030011](#)