



# **IS25LP064A/B**

# **IS25LP032A/B**

**64/32MBIT**

**3V SERIAL FLASH MEMORY WITH 133MHZ MULTI I/O SPI & QUAD  
I/O QPI DTR INTERFACE**

**ADVANCED DATA SHEET**

## 64/32MBIT

### 3V SERIAL FLASH MEMORY WITH 133MHZ MULTI I/O SPI & QUAD I/O QPI DTR INTERFACE

#### ADVANCED INFORMATION

## FEATURES

### • Industry Standard Serial Interface

- IS25LP064A/B: 64Mbit/8Mbyte
- IS25LP032A/B: 32Mbit/4Mbyte
- 256 bytes per Programmable Page
- Supports standard SPI, Fast, Dual, Dual I/O, Quad, Quad I/O, SPI DTR, Dual I/O DTR, Quad I/O DTR, and QPI
- Double Transfer Rate (DTR) option
- Supports Serial Flash Discoverable Parameters (SFDP)

### • High Performance Serial Flash (SPI)

- 50MHz Normal and 133MHz Fast Read
- 532MHz equivalent QPI
- DTR (Dual Transfer Rate) up to 66MHz
- Selectable dummy cycles
- Configurable drive strength
- Supports SPI Modes 0 and 3
- More than 100,000 erase/program cycles
- More than 20-year data retention

### • Flexible & Efficient Memory Architecture

- Chip Erase with Uniform Sector/Block Erase (4/32/64 Kbyte)
- Program 1 to 256 bytes per page
- Program/Erase Suspend & Resume

### • Efficient Read and Program modes

- Low Instruction Overhead Operations
- Continuous Read 8/16/32/64-Byte burst
- Selectable burst length
- QPI for reduced instruction overhead

### • Low Power with Wide Temp. Ranges

- Single 2.3V to 3.6V Voltage Supply
- 10 mA Active Read Current
- 10  $\mu$ A Standby Current
- 5  $\mu$ A Deep Power Down
- Temp Grades:
  - Extended: -40°C to +105°C
  - Extended+: -40°C to +125°C
  - Auto Grade: up to +125°C

Note: Extended+ should not be used for Automotive.

### • Advanced Security Protection

- Software and Hardware Write Protection
- Power Supply lock protect
- 4x256-Byte dedicated security area with OTP user-lockable bits
- 128 bit Unique ID for each device (Call Factory)

### • Industry Standard Pin-out & Packages<sup>(1),(2)</sup>

- B = 8-pin SOIC 208mil
- F = 8-pin VSOP 208mil
- K = 8-contact WSON 6x5mm
- L = 8-contact WSON 8x6mm
- M = 16-pin SOIC 300mil<sup>(3)</sup>
- G = 24-ball TFBGA 6x8mm
- KGD (Call Factory)

#### Notes:

1. Call Factory for other package options available.
2. For the RESET# pin option instead of HOLD# pin, call Factory.
3. For the additional RESET# pin option, see the Ordering Information

## GENERAL DESCRIPTION

The IS25LP064/032A/B Serial Flash memory offers a versatile storage solution with high flexibility and performance in a simplified pin count package. ISSI's "Industry Standard Serial Interface" Flash are for systems that require limited space, a low pin count, and low power consumption. The device is accessed through a 4-wire SPI Interface consisting of a Serial Data Input (SI), Serial Data Output (SO), Serial Clock (SCK), and Chip Enable (CE#) pins, which can also be configured to serve as multi-I/O (see pin descriptions).

The device supports Dual and Quad I/O as well as standard, Dual Output, and Quad Output SPI. Clock frequencies of up to 133MHz allow for equivalent clock rates of up to 532MHz (133MHz x 4) which equates to 66Mbytes/s of data throughput. The IS25xP series of Flash adds support for DTR (Double Transfer Rate) commands that transfer addresses and read data on both edges of the clock. These transfer rates can outperform 16-bit Parallel Flash memories allowing for efficient memory access to support XIP (execute in place) operation.

The memory array is organized into programmable pages of 256-bytes. This family supports page program mode where 1 to 256 bytes of data are programmed in a single command. QPI (Quad Peripheral Interface) supports 2-cycle instruction further reducing instruction times. Pages can be erased in groups of 4Kbyte sectors, 32Kbyte blocks, 64Kbyte blocks, and/or the entire chip. The uniform sector and block architecture allows for a high degree of flexibility so that the device can be utilized for a broad variety of applications requiring solid data retention.

## GLOSSARY

### ***Standard SPI***

In this operation, a 4-wire SPI Interface is utilized, consisting of Serial Data Input (SI), Serial Data Output (SO), Serial Clock (SCK), and Chip Enable (CE#) pins. Instructions are sent via the SI pin to encode instructions, addresses, or input data to the device on the rising edge of SCK. The SO pin is used to read data or to check the status of the device. This device supports SPI bus operation modes (0,0) and (1,1).

### ***Multi I/O SPI***

Multi-I/O operation utilizes an enhanced SPI protocol to allow the device to function with Dual Output, Dual Input and Output, Quad Output, and Quad Input and Output capability. Executing these instructions through SPI mode will achieve double or quadruple the transfer bandwidth for READ and PROGRAM operations.

### ***Quad I/O QPI***

The device enables QPI protocol by issuing an "Enter QPI mode (35h)" command. The QPI mode uses four IO pins for input and output to decrease SPI instruction overhead and increase output bandwidth. SI and SO pins become bidirectional IO0 and IO1, and WP# and HOLD# pins become IO2 and IO3 respectively during QPI mode. Issuing an "Exit QPI (F5h) command will cause the device to exit QPI mode. Power Reset or Hardware/Software Reset can also return the device into the standard SPI mode.

### ***DTR***

In addition to SPI and QPI features, the device also supports SPI DTR READ. SPI DTR allows high data throughput while running at lower clock frequencies. SPI DTR READ mode uses both rising and falling edges of the clock to drive output, resulting in reducing input and output cycles by half.

### ***Programmable drive strength and Selectable burst setting***

The device offers programmable output drive strength and selectable burst (wrap) length features to increase the efficiency and performance of READ operations. The driver strength and burst setting features are controlled by setting the Read Register. A total of six different drive strengths and four different burst sizes (8/16/32/64 Bytes) are available for selection.

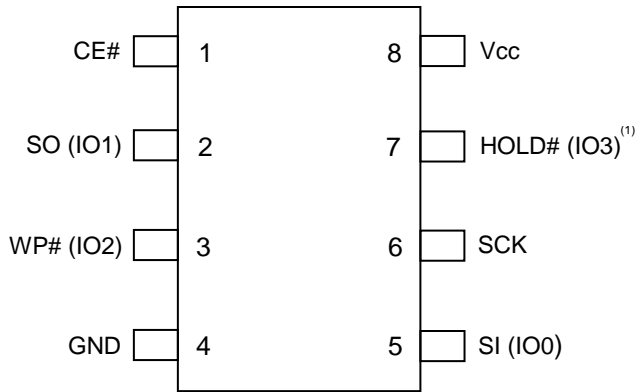
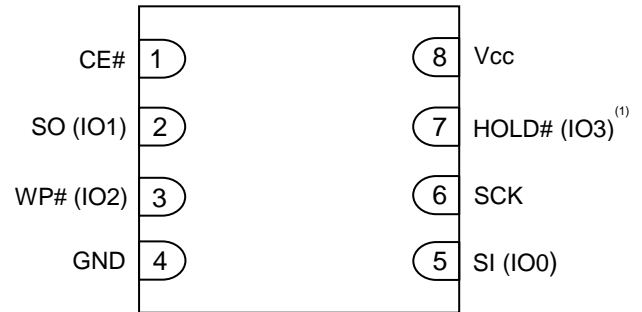
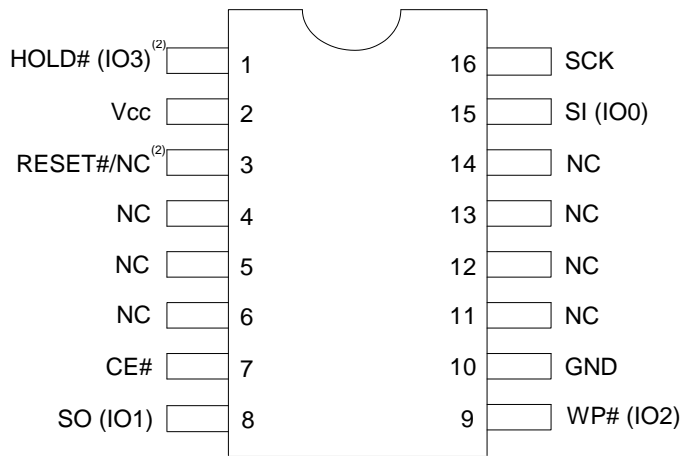
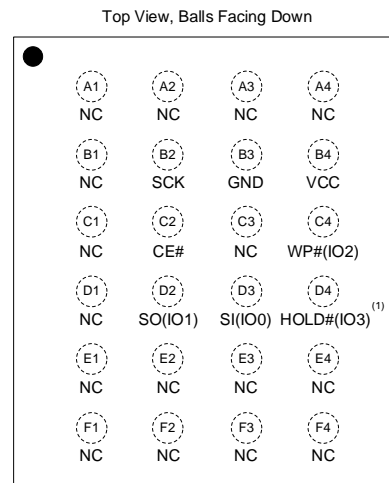
**TABLE OF CONTENTS**

FEATURES .....	2
GENERAL DESCRIPTION .....	3
TABLE OF CONTENTS .....	4
1. PIN CONFIGURATION.....	7
2. PIN DESCRIPTIONS.....	8
3. BLOCK DIAGRAM.....	10
4. SPI MODES DESCRIPTION .....	11
5. SYSTEM CONFIGURATION.....	13
5.1 BLOCK/SECTOR ADDRESSES .....	13
6. REGISTERS .....	14
6.1 STATUS REGISTER .....	14
6.2 FUNCTION REGISTER.....	17
6.3 READ REGISTER.....	18
7. PROTECTION MODE.....	20
7.1 HARDWARE WRITE PROTECTION.....	20
7.2 SOFTWARE WRITE PROTECTION .....	20
8. DEVICE OPERATION .....	21
8.1 NORMAL READ OPERATION (NORD, 03h) .....	23
8.2 FAST READ OPERATION (FRD, 0Bh) .....	25
8.3 HOLD OPERATION.....	27
8.4 FAST READ DUAL I/O OPERATION (FRDIO, BBh) .....	27
8.5 FAST READ DUAL OUTPUT OPERATION (FRDO, 3Bh).....	30
8.6 FAST READ QUAD OUTPUT OPERATION (FRQO, 6Bh).....	31
8.7 FAST READ QUAD I/O OPERATION (FRQIO, EBh) .....	33
8.8 PAGE PROGRAM OPERATION (PP, 02h).....	37
8.9 QUAD INPUT PAGE PROGRAM OPERATION (PPQ, 32h/38h) .....	39
8.10 ERASE OPERATION .....	40
8.11 SECTOR ERASE OPERATION (SER, D7h/20h).....	41
8.12 BLOCK ERASE OPERATION (BER32K:52h, BER64K:D8h) .....	42
8.13 CHIP ERASE OPERATION (CER, C7h/60h) .....	44
8.14 WRITE ENABLE OPERATION (WREN, 06h) .....	45
8.15 WRITE DISABLE OPERATION (WRDI, 04h).....	46
8.16 READ STATUS REGISTER OPERATION (RDSR, 05h) .....	47
8.17 WRITE STATUS REGISTER OPERATION (WRSR, 01h).....	48
8.18 READ FUNCTION REGISTER OPERATION (RDFR, 48h) .....	49
8.19 WRITE FUNCTION REGISTER OPERATION (WRFR, 42h).....	50

8.20	ENTER QUAD PERIPHERAL INTERFACE (QPI) MODE OPERATION (QIOEN, 35h; QIODI, F5h)	51
8.21	PROGRAM/ERASE SUSPEND & RESUME	52
8.22	ENTER DEEP POWER DOWN (DP, B9h)	54
8.23	RELEASE DEEP POWER DOWN (RDPD, ABh)	55
8.24	SET READ PARAMETERS OPERATION (SRP, C0h)	56
8.25	READ PRODUCT IDENTIFICATION (RDID, ABh)	58
8.26	READ PRODUCT IDENTIFICATION BY JEDEC ID OPERATION (RDJDID, 9Fh; RDJDIDQ, AFh)	60
8.27	READ DEVICE MANUFACTURER AND DEVICE ID OPERATION (RDMDID, 90h)	61
8.28	READ UNIQUE ID NUMBER (RUID, 4Bh)	62
8.29	READ SFDP OPERATION (RDSFDP, 5Ah)	63
8.30	NO OPERATION (NOP, 00h)	63
8.31	SOFTWARE RESET (RESET-ENABLE (RSTEN, 66h) AND RESET (RST, 99h)) AND HARDWARE RESET	64
8.32	SECURITY INFORMATION ROW	65
8.33	INFORMATION ROW ERASE OPERATION (IRER, 64h)	66
8.34	INFORMATION ROW PROGRAM OPERATION (IRP, 62h)	67
8.35	INFORMATION ROW READ OPERATION (IRRD, 68h)	68
8.36	FAST READ DTR MODE OPERATION (FRDTR, 0Dh)	69
8.37	FAST READ DUAL IO DTR MODE OPERATION (FRDDTR, BDh)	71
8.38	FAST READ QUAD IO DTR MODE OPERATION (FRQDTR, EDh)	74
8.39	SECTOR LOCK/UNLOCK FUNCTIONS	78
9.	ELECTRICAL CHARACTERISTICS	80
9.1	ABSOLUTE MAXIMUM RATINGS <sup>(1)</sup>	80
9.2	OPERATING RANGE	80
9.3	DC CHARACTERISTICS	81
9.4	AC MEASUREMENT CONDITIONS	82
9.5	AC CHARACTERISTICS	83
9.6	SERIAL INPUT/OUTPUT TIMING	85
9.7	POWER-UP AND POWER-DOWN	87
9.8	PROGRAM/ERASE PERFORMANCE	88
9.9	RELIABILITY CHARACTERISTICS	88
10.	PACKAGE TYPE INFORMATION	89
10.1	8-Pin JEDEC 208mil Broad Small Outline Integrated Circuit (SOIC) Package (B)	89
10.2	8-Contact Ultra-Thin Small Outline No-Lead (WSON) Package 6x5mm (K)	90
10.3	8-Contact Ultra-Thin Small Outline No-Lead (WSON) Package 8x6mm (L)	91
10.4	8-Pin 208mil VSOP Package (F)	92
10.5	16-lead Plastic Small Outline package (300 mils body width) (M)	93
10.6	24-Ball Thin Profile Fine Pitch BGA 6x8mm (G)	94



11. ORDERING INFORMATION- Valid Part Numbers.....95

**1. PIN CONFIGURATION**

**8-pin SOIC 208mil  
8-pin VSOP 208mil**

**8-contact WSON 6x5mm  
8-contact WSON 8x6mm**

**16-pin SOIC 300mil**

**24-ball TFBGA 6x8mm**
**Notes:**

1. For RESET# pin option instead of HOLD# pin, call Factory.
2. In case of 16-pin SOIC package, there are three options.
  - 1) Pin1 is HOLD# (IO3) and Pin3 is NC.
  - 2) Pin1 is HOLD# (IO3) and Pin3 is additional RESET# pin. The RESET# pin will be independent of the QE bit of Status Register. The RESET# pin has an internal pull-up resistor and may be left floating if not used. See the Ordering Information for the additional RESET# pin option.
  - 3) Pin1 is RESET# (IO3) and Pin3 is NC. Call Factory for the dedicated part.



## 2. PIN DESCRIPTIONS

For all other packages except 16-pin SOIC 300mil with additional RESET# pin option on pin3

SYMBOL	TYPE	DESCRIPTION
CE#	INPUT	<p><b>Chip Enable:</b> The Chip Enable (CE#) pin enables and disables the devices operation. When CE# is high the device is deselected and output pins are in a high impedance state. When deselected the devices non-critical internal circuitry power down to allow minimal levels of power consumption while in a standby state.</p> <p>When CE# is pulled low the device will be selected and brought out of standby mode. The device is considered active and instructions can be written to, data read, and written to the device. After power-up, CE# must transition from high to low before a new instruction will be accepted.</p> <p>Keeping CE# in a high state deselects the device and switches it into its low power state. Data will not be accepted when CE# is high.</p>
SI (IO0), SO (IO1)	INPUT/OUTPUT	<p><b>Serial Data Input, Serial Output, and IOs (SI, SO, IO0, and IO1):</b></p> <p>This device supports standard SPI, Dual SPI, and Quad SPI operation. Standard SPI instructions use the unidirectional SI (Serial Input) pin to write instructions, addresses, or data to the device on the rising edge of the Serial Clock (SCK). Standard SPI also uses the unidirectional SO (Serial Output) to read data or status from the device on the falling edge of the serial clock (SCK).</p> <p>In Dual and Quad SPI mode, SI and SO become bidirectional IO pins to write instructions, addresses or data to the device on the rising edge of the Serial Clock (SCK) and read data or status from the device on the falling edge of SCK. Quad SPI instructions use the WP# and HOLD# pins as IO2 and IO3 respectively.</p>
WP# (IO2)	INPUT/OUTPUT	<p><b>Write Protect/Serial Data IO (IO2):</b> The WP# pin protects the Status Register from being written in conjunction with the SRWD bit. When the SRWD is set to "1" and the WP# is pulled low, the Status Register bits (SRWD, QE, BP3, BP2, BP1, BP0) are write-protected and vice-versa for WP# high. When the SRWD is set to "0", the Status Register is not write-protected regardless of WP# state.</p> <p>When the QE bit is set to "1", the WP# pin (Write Protect) function is not available since this pin is used for IO2.</p>
HOLD#	INPUT/OUTPUT	<p><b>HOLD#/Serial Data IO (IO3):</b> When the QE bit of Status Register is set to "1", HOLD# pin is not available since it becomes IO3. When QE=0 the pin acts as HOLD#.</p> <p>RESET# pin instead of HOLD# can be selected with dedicated parts (Call Factory).</p> <p>The HOLD# pin allows the device to be paused while it is selected. It pauses serial communication by the master device without resetting the serial sequence. The HOLD# pin is active low. When HOLD# is in a low state and CE# is low, the SO pin will be at high impedance. Device operation can resume when HOLD# pin is brought to a high state.</p> <p>RESET# pin is a hardware RESET signal. When RESET# is driven HIGH, the memory is in the normal operating mode. When RESET# is driven LOW, the memory enters reset mode and output is High-Z. If RESET# is driven LOW while an internal WRITE, PROGRAM, or ERASE operation is in progress, data may be lost.</p>
SCK	INPUT	<b>Serial Data Clock:</b> Synchronized Clock for input and output timing operations.
Vcc	POWER	<b>Power:</b> Device Core Power Supply
GND	GROUND	<b>Ground:</b> Connect to ground when referenced to Vcc
NC	Unused	<b>NC:</b> Pins labeled "NC" stand for "No Connect" and should be left uncommitted.



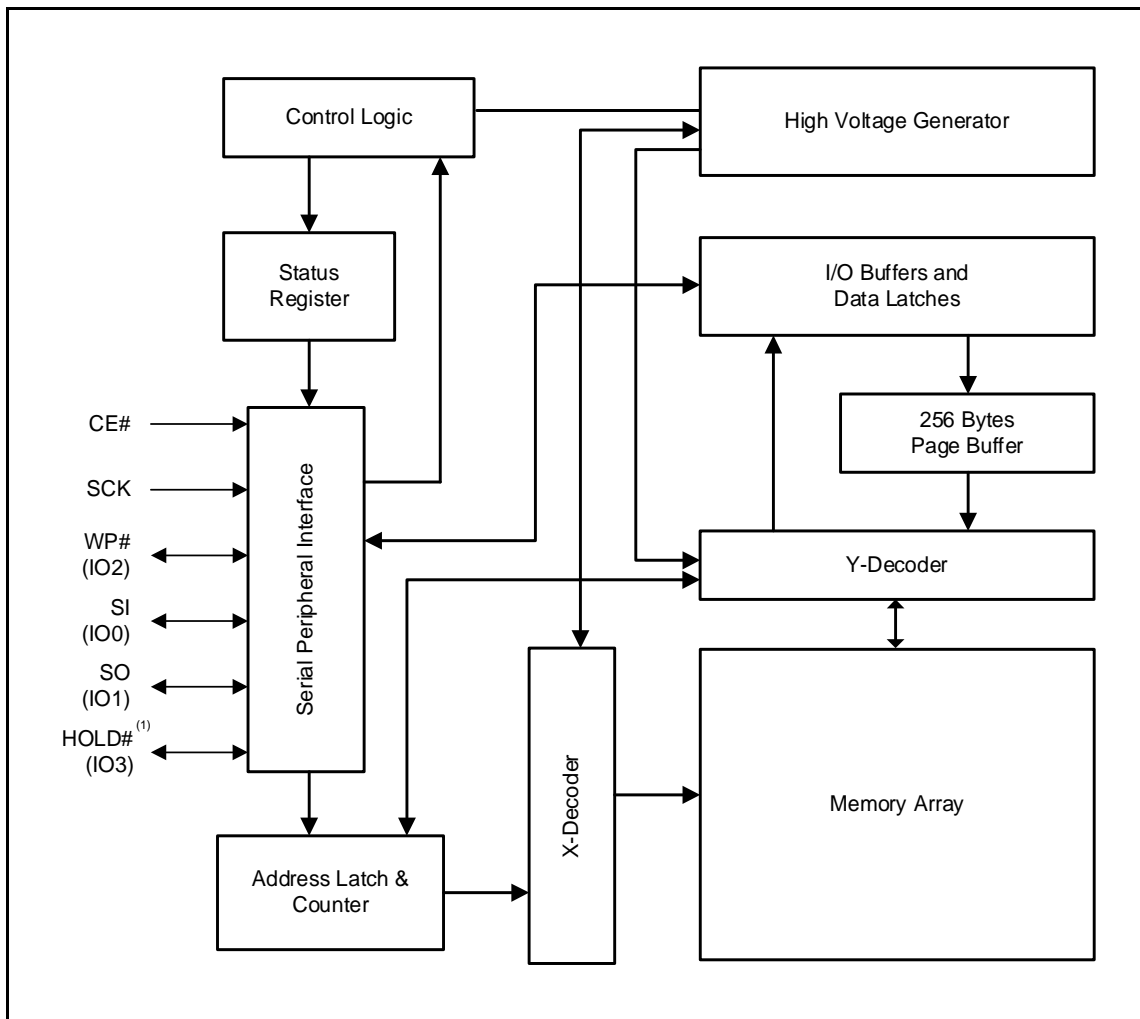


For 16-pin SOIC 300mil package with additional RESET# pin option on pin3

- RESET# will be added to pin3 and pin1 will become HOLD# (IO3) pin (See the Ordering Information for the parts)

<b>SYMBOL</b>	<b>TYPE</b>	<b>DESCRIPTION</b>
CE#	INPUT	Same as the description in previous page
SI (IO0), SO (IO1)	INPUT/OUTPUT	Same as the description in previous page
WP# (IO2)	INPUT/OUTPUT	Same as the description in previous page
HOLD# (IO3)	INPUT/OUTPUT	<b>Hold/Serial Data IO (IO3):</b> When the QE bit of Status Register is set to "1", HOLD# pin is not available since it becomes IO3. When QE=0 the pin acts as HOLD#. The HOLD# pin allows the device to be paused while it is selected. It pauses serial communication by the master device without resetting the serial sequence. The HOLD# pin is active low. When HOLD# is in a low state and CE# is low, the SO pin will be at high impedance. Device operation can resume when HOLD# pin is brought to a high state.
RESET#	INPUT/OUTPUT	<b>RESET:</b> This additional RESET# pin is available only for dedicated parts. The RESET# pin will be independent of the QE bit of Status Register. The RESET# pin is a hardware RESET signal. When RESET# is driven HIGH, the memory is in the normal operating mode. When RESET# is driven LOW, the memory enters reset mode and output is High-Z. If RESET# is driven LOW while an internal WRITE, PROGRAM, or ERASE operation is in progress, data may be lost.
SCK	INPUT	Same as the description in previous page
Vcc	POWER	Same as the description in previous page
GND	GROUND	Same as the description in previous page
NC	Unused	Same as the description in previous page

### 3. BLOCK DIAGRAM



**Note1:** For RESET# pin option instead of HOLD# pin, call Factory. In case of 16-pin SOIC package, there is also additional RESET# pin option on pin3 without replacing HOLD# pin. See the Ordering Information for the additional RESET# pin option.

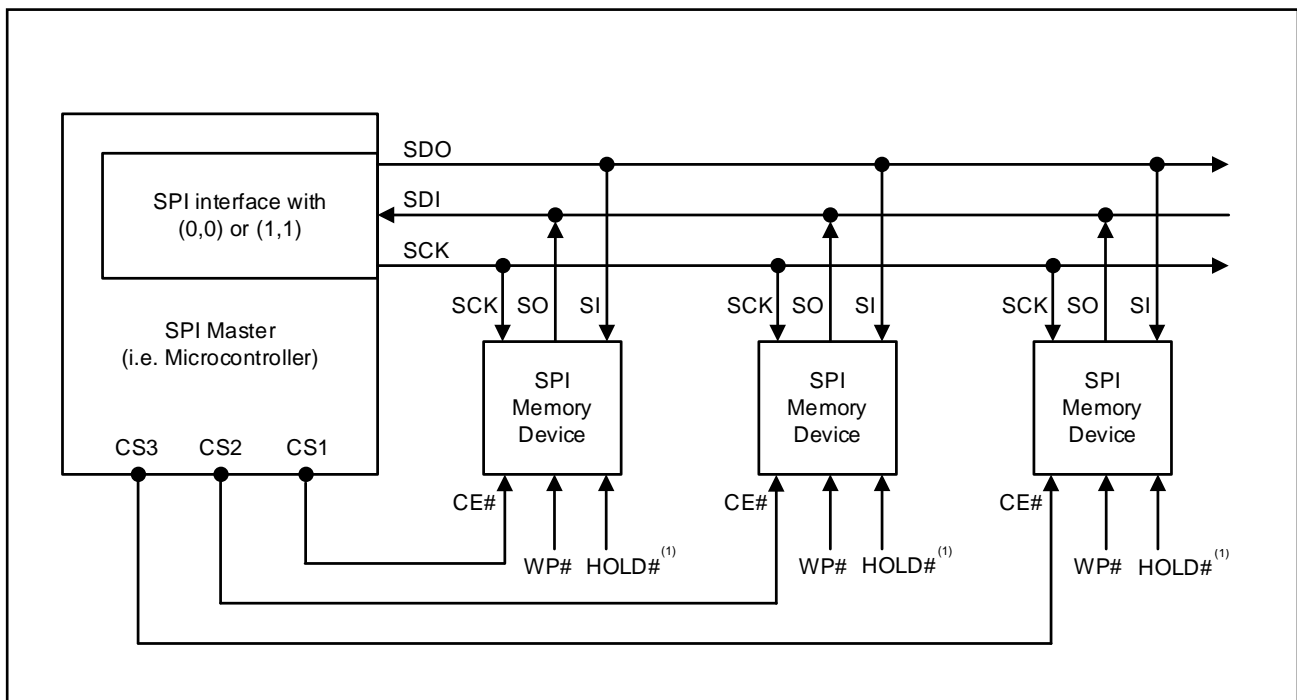
#### 4. SPI MODES DESCRIPTION

Multiple IS25LP064/032A/B devices can be connected on the SPI serial bus and controlled by a SPI Master, i.e. microcontroller, as shown in Figure 4.1. The devices support either of two SPI modes:

- Mode 0 (0, 0)
- Mode 3 (1, 1)

The difference between these two modes is the clock polarity. When the SPI master is in stand-by mode, the serial clock remains at "0" (SCK = 0) for Mode 0 and the clock remains at "1" (SCK = 1) for Mode 3. Please refer to Figure 4.2 and Figure 4.3 for SPI and QPI mode. In both modes, the input data is latched on the rising edge of Serial Clock (SCK), and the output data is available from the falling edge of SCK.

**Figure 4.1 Connection Diagram among SPI Master and SPI Slaves (Memory Devices)**



**Notes:**

1. For RESET# pin option instead of HOLD# pin, call Factory. In case of 16-pin SOIC package, there is also additional RESET# pin option on pin3 without replacing HOLD# pin. See the Ordering Information for the additional RESET# pin option.
2. SI and SO pins become bidirectional IO0 and IO1, and WP# and HOLD# pins become IO2 and IO3 respectively during QPI mode.

Figure 4.2 SPI Mode Support

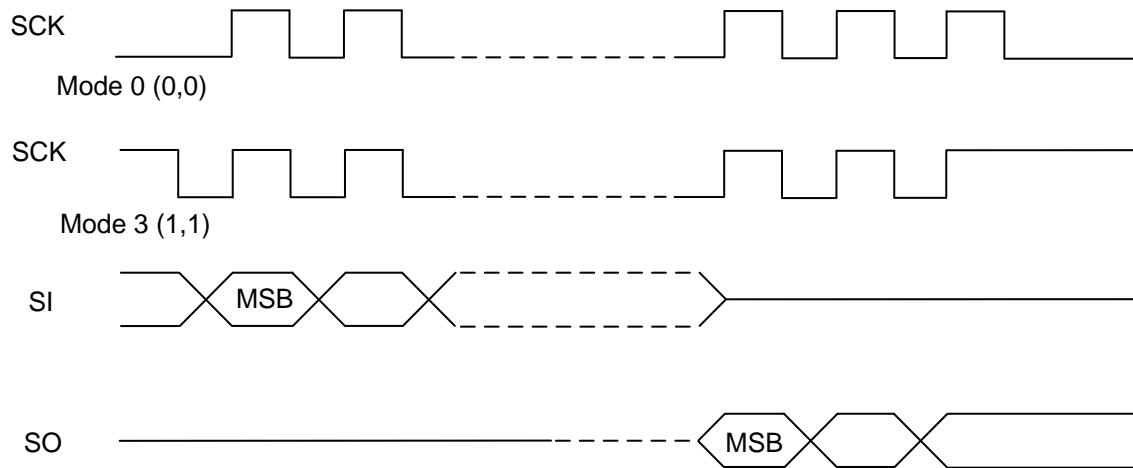
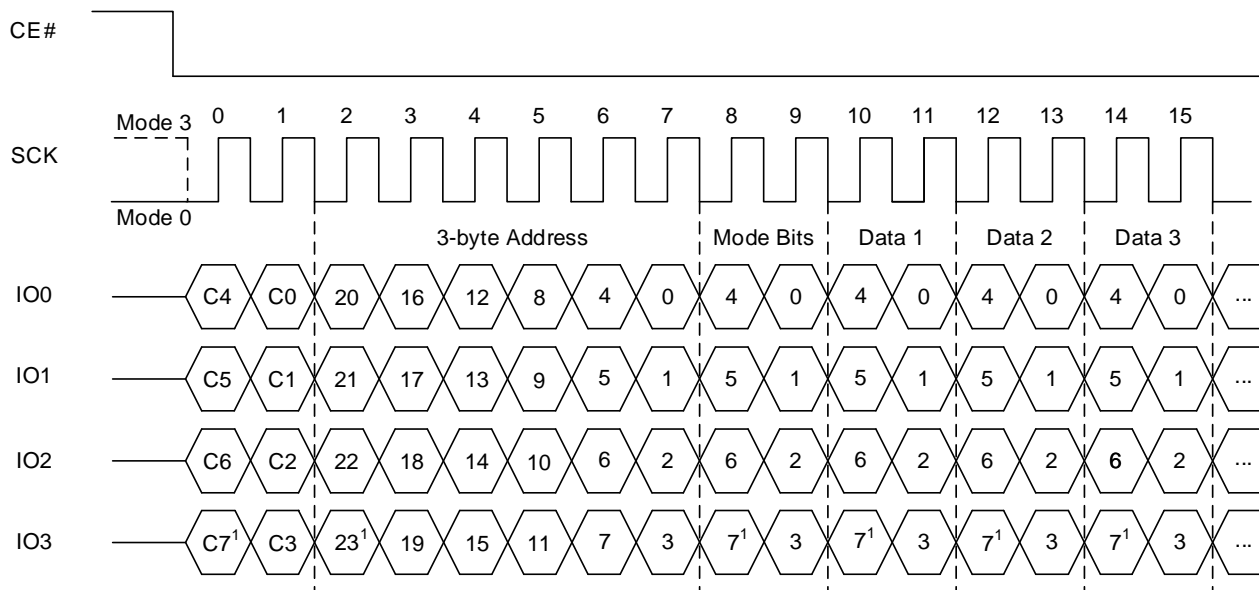


Figure 4.3 QPI Mode Support



Note1: MSB (Most Significant Bit)

## 5. SYSTEM CONFIGURATION

The memory array of the IS25LP064/032A/B is divided into uniform 4 Kbyte sectors or uniform 32/64 Kbyte blocks (a block consists of eight/sixteen adjacent sectors respectively).

Table 5.1 illustrates the memory map of the device. The Status Register controls how the memory is protected.

### 5.1 BLOCK/SECTOR ADDRESSES

**Table 5.1 Block/Sector Addresses of IS25LP064/032A/B**

Memory Density	Block No. (64Kbyte)	Block No. (32Kbyte)	Sector No.	Sector Size (Kbyte)	Address Range
32Mb	Block 0	Block 0	Sector 0	4	000000h – 000FFFh
			:	:	:
	Block 1	Block 1	Sector 15	4	00F000h - 00FFFFh
			:	:	:
	Block 1	Block 2	Sector 16	4	010000h – 010FFFh
			:	:	:
	Block 2	Block 3	Sector 31	4	01F000h - 01FFFFh
			:	:	:
	Block 2	Block 4	Sector 32	4	020000h – 020FFFh
			:	:	:
	Block 2	Block 5	Sector 47	4	02F000h – 02FFFFh
			:	:	:
	:	:	:	:	:
	Block 63	Block 126	Sector 1008	4	3F0000h – 3F0FFFh
			:	:	:
	Block 63	Block 127	Sector 1023	4	3FF000h – 3FFFFFFh
			:	:	:
	:	:	:	:	:
	Block 127	Block 254	Sector 2032	4	7F0000h – 7F0FFFh
			:	:	:
	Block 127	Block 255	Sector 2047	4	7FF000h – 7FFFFFFh
			:	:	:

## 6. REGISTERS

The IS25LP064/032A/B has three sets of Registers: Status, Function and Read.

### 6.1 STATUS REGISTER

Status Register Format and Status Register Bit Definitions are described in Table 6.1 & Table 6.2.

**Table 6.1 Status Register Format**

	Bit 7	Bit 6	Bit 5	Bit 4	Bit 3	Bit 2	Bit 1	Bit 0
	SRWD	QE	BP3	BP2	BP1	BP0	WEL	WIP
Default	0	0	0	0	0	0	0	0

**Table 6.2 Status Register Bit Definition**

Bit	Name	Definition	Read-Write	Type
Bit 0	WIP	Write In Progress Bit: "0" indicates the device is ready(default) "1" indicates a write cycle is in progress and the device is busy	R	Volatile
Bit 1	WEL	Write Enable Latch: "0" indicates the device is not write enabled (default) "1" indicates the device is write enabled	R/W <sup>1</sup>	Volatile
Bit 2	BP0	Block Protection Bit: (See Table 6.4 for details) "0" indicates the specific blocks are not write-protected (default) "1" indicates the specific blocks are write-protected	R/W	Non-Volatile
Bit 3	BP1			
Bit 4	BP2			
Bit 5	BP3			
Bit 6	QE	Quad Enable bit: "0" indicates the Quad output function disable (default) "1" indicates the Quad output function enable	R/W	Non-Volatile
Bit 7	SRWD	Status Register Write Disable: (See Table 7.1 for details) "0" indicates the Status Register is not write-protected (default) "1" indicates the Status Register is write-protected	R/W	Non-Volatile

**Note1: WEL bit can be written by WREN and WRDI commands, but cannot by WRSR command.**

The BP0, BP1, BP2, BP3, QE, and SRWD are non-volatile memory cells that can be written by a Write Status Register (WRSR) instruction. The default value of the BP0, BP1, BP2, BP3, QE, and SRWD bits were set to "0" at factory. The Status Register can be read by the Read Status Register (RDSR).

The function of Status Register bits are described as follows:

**WIP bit:** The Write In Progress (WIP) bit is read-only, and can be used to detect the progress or completion of a program or erase operation. When the WIP bit is "0", the device is ready for write Status Register, program or erase operation. When the WIP bit is "1", the device is busy.

**WEL bit:** The Write Enable Latch (WEL) bit indicates the status of the internal write enable latch. When the WEL is "0", the write enable latch is disabled and the write operations described in Table 6.3 are inhibited. When the WEL bit is "1", the write operations are allowed. The WEL bit is set by a Write Enable (WREN) instruction. Each write register, program and erase instruction except for Set Read Register must be preceded by a WREN instruction. The WEL bit can be reset by a Write Disable (WRDI) instruction. It will automatically reset after the completion of any write operation.

**Table 6.3 Instructions requiring WREN instruction ahead**

Instructions must be preceded by the WREN instruction		
Name	Hex Code	Operation
PP	02h	Serial Input Page Program
PPQ	32h/38h	Quad Input Page Program
SER	D7h/20h	Sector Erase
BER32 (32Kb)	52h	Block Erase 32K
BER64 (64Kb)	D8h	Block Erase 64K
CER	C7h/60h	Chip Erase
WRSR	01h	Write Status Register
WRFR	42h	Write Function Register
IRP	62h	Program Information Row

**BP3, BP2, BP1, BP0 bits:** The Block Protection (BP3, BP2, BP1 and BP0) bits are used to define the portion of the memory area to be protected. Refer to Table 6.4 for the Block Write Protection (BP) bit settings. When a defined combination of BP3, BP2, BP1 and BP0 bits are set, the corresponding memory area is protected. Any program or erase operation to that area will be inhibited.

**Note:** A Chip Erase (CER) instruction will be ignored unless all the Block Protection Bits are “0”s.

**SRWD bit:** The Status Register Write Disable (SRWD) bit operates in conjunction with the Write Protection (WP#) signal to provide a Hardware Protection Mode. When the SRWD is set to “0”, the Status Register is not write-protected. When the SRWD is set to “1” and the WP# is pulled low ( $V_{IL}$ ), the bits of Status Register (SRWD, QE, BP3, BP2, BP1, BP0) become read-only, and a WRSR instruction will be ignored. If the SRWD is set to “1” and WP# is pulled high ( $V_{IH}$ ), the Status Register can be changed by a WRSR instruction.

**QE bit:** The Quad Enable (QE) is a non-volatile bit in the Status Register that allows quad operation. When the QE bit is set to “0”, the pin WP# and HOLD# are enabled. When the QE bit is set to “1”, the IO2 and IO3 pins are enabled.

**WARNING:** The QE bit must be set to 0 if WP# or HOLD# pin is tied directly to the power supply.

**Table 6.4 Block (64Kbyte) assignment by Block Write Protect (BP) Bits**

Status Register Bits				Protected Memory Area (IS25LP064A/B, 128Blocks)	
BP3	BP2	BP1	BP0	TBS(T/B selection) = 0, Top area	TBS(T/B selection) = 1, Bottom area
0	0	0	0	0( None)	0( None)
0	0	0	1	1(1 block : 127th)	1(1 block : 0th)
0	0	1	0	2(2 blocks : 126th and 127th)	2(2 blocks : 0th and 1st)
0	0	1	1	3(4 blocks : 124th to 127th)	3(4 blocks : 0th to 3rd)
0	1	0	0	4(8 blocks : 120th to 127th)	4(8 blocks : 0th to 7th)
0	1	0	1	5(16 blocks : 112nd to 127th)	5(16 blocks : 0th to 15th)
0	1	1	0	6(32 blocks : 96th to 127th)	6(32 blocks : 0th to 31st)
0	1	1	1	7(64 blocks : 64th to 127th)	7(64 blocks : 0th to 63rd)
1	x	x	x	8~15(128 blocks : 0th to 127th) All blocks	8~15(128 blocks : 0th to 127th) All blocks

Status Register Bits				Protected Memory Area (IS25LP032A/B, 64Blocks)	
BP3	BP2	BP1	BP0	TBS(T/B selection) = 0, Top area	TBS(T/B selection) = 1, Bottom area
0	0	0	0	0( None)	0( None)
0	0	0	1	1(1 block : 63rd)	1(1 block : 0th)
0	0	1	0	2(2 blocks : 62nd and 63rd)	2(2 blocks : 0th and 1st)
0	0	1	1	3(4 blocks : 60th to 63rd)	3(4 blocks : 0th to 3rd)
0	1	0	0	4(8 blocks : 56th to 63rd)	4(8 blocks : 0th to 7th)
0	1	0	1	5(16 blocks : 48th to 63rd)	5(16 blocks : 0th to 15th)
0	1	1	0	6(32 blocks : 32nd to 63rd)	6(32 blocks : 0th to 31st)
0	1	1	1	7(64 blocks : 0th to 63rd) All blocks	7(64 blocks : 0th to 63rd) All blocks
1	x	x	x	8~15(64 blocks : 0th to 63rd) All blocks	8~15(64 blocks : 0th to 63rd) All blocks

**Note: x is don't care**



## 6.2 FUNCTION REGISTER

Function Register Format and Bit definition are described in Table 6.5 and Table 6.6.

**Table 6.5 Function Register Format**

	Bit 7	Bit 6	Bit 5	Bit 4	Bit 3	Bit 2	Bit 1	Bit 0
	IRL3	IRL2	IRL1	IRL0	ESUS	PSUS	TBS	Reserved
Default	0	0	0	0	0	0	0	0

**Table 6.6 Function Register Bit Definition**

Bit	Name	Definition	Read-/Write	Type
Bit 0	Reserved	Reserved	R	Reserved
Bit 1	Top/Bottom Selection	Top/Bottom Selection. (See Table 6.4 for details) "0" indicates Top area. "1" indicates Bottom area.	R/W	Non-Volatile
Bit 2	PSUS	Program suspend bit: "0" indicates program is not suspend "1" indicates program is suspend	R	Volatile
Bit 3	ESUS	Erase suspend bit: "0" indicates Erase is not suspend "1" indicates Erase is suspend	R	Volatile
Bit 4	IR Lock 0	Lock the Information Row 0: "0" indicates the Information Row can be programmed "1" indicates the Information Row cannot be programmed	R/W	Non-Volatile
Bit 5	IR Lock 1	Lock the Information Row 1: "0" indicates the Information Row can be programmed "1" indicates the Information Row cannot be programmed	R/W	Non-Volatile
Bit 6	IR Lock 2	Lock the Information Row 2: "0" indicates the Information Row can be programmed "1" indicates the Information Row cannot be programmed	R/W	Non-Volatile
Bit 7	IR Lock 3	Lock the Information Row 3: "0" indicates the Information Row can be programmed "1" indicates the Information Row cannot be programmed	R/W	Non-Volatile

**Note:** Function Register bits are only one time programmable and cannot be modified.

**Top/Bottom Selection:** BP0~3 area assignment changed from Top or Bottom. See Table 6.4 for details

**PSUS bit:** The Program Suspend Status bit indicates when a Program operation has been suspended. The PSUS changes to "1" after a suspend command is issued during the program operation. Once the suspended Program resumes, the PSUS bit is reset to "0".

**ESUS bit:** The Erase Suspend Status indicates when an Erase operation has been suspended. The ESUS bit is "1" after a suspend command is issued during an Erase operation. Once the suspended Erase resumes, the ESUS bit is reset to "0".

**IR Lock bit 0 ~ 3:** The Information Row Lock bits are programmable. If the bit set to "1", the Information Row can't be programmed.

### 6.3 READ REGISTER

Read Register format and Bit definitions pertaining to QPI mode are described below.

#### READ PARAMETER BITS

Table 6.7 defines all bits that control features in SPI/QPI modes. The ODS2, ODS1, ODS0 (P7, P6, P5) bits provide a method to set and control driver strength. The Dummy Cycle bits (P4, P3) define how many dummy cycles are used during various READ modes. The wrap selection bits (P2, P1, P0) define burst length with wrap around.

The SET READ PARAMETERS Operation (SRP, C0h) is used to set all the Read Register bits, and can thereby define the output driver strength, number of dummy cycles used during READ modes, burst length with wrap around.

**Table 6.7 Read Parameter Table**

	P7	P6	P5	P4	P3	P2	P1	P0
	ODS2	ODS1	ODS0	Dummy Cycles	Dummy Cycles	Wrap Enable	Burst Length	Burst Length
Default (Volatile)	1	1	1	0	0	0	0	0

**Table 6.8 Burst Length Data**

	P1	P0
8 bytes	0	0
16 bytes	0	1
32 bytes	1	0
64 bytes	1	1

**Table 6.9 Wrap Function**

Wrap around boundary	P2
Whole array regardless of P1 and P0 value	0
Burst Length set by P1 and P0	1

**Table 6.10 Read Dummy Cycles.**

Read Modes	P4,P3 = 00 (Default)	P4,P3 = 01	P4,P3 = 10	P4,P3 = 11	Max Freq	Mode
Normal Read 03h	0	0	0	0	50MHz	SPI
Fast read <sup>(3)</sup> 0Bh	8	8	8	8	133MHz	SPI
Fast read <sup>(3)</sup> 0Bh	6	4	8	10	4cc : 84MHz 6cc : 104MHz 8cc/10cc : 133MHz	QPI
Dual IO Read <sup>(1)</sup> BBh	4	4	8	4	4cc : 104MHz 8cc : 133MHz	SPI
Fast Read Dual Output 3Bh	8	8	8	8	133MHz	SPI
Fast Read Quad Output 6Bh	8	8	8	8	133MHz	SPI
Quad IO Read <sup>(2)</sup> EBh	6	4	8	10	4cc : 84MHz 6cc : 104MHz 8cc/10cc : 133MHz	SPI , QPI

**Notes:**

1. When 4 dummy cycles are used the max clock frequency is 104MHz; when 8 dummy cycles are used the max clock frequency is 133MHz.
2. When 4 dummy cycles are used the max clock frequency is 84MHz; when 6 dummy cycles are used the max clock frequency is 104MHz; when 8 or 10 dummy cycles are used the max clock frequency is 133MHz.
3. RDUID, RDSFDP, IRRD instructions are also applied.
4. In SPI DTR mode the dummy cycles are reduced by half.
5. Dummy cycles in the table are including Mode bit cycles.
6. Must satisfy bus I/O contention. For instance, if the number of dummy cycles and AX bit cycles are same, then X must be Hi-Z.

**Table 6.11 Driver Strength Table**

ODS2	ODS1	ODS0	Description	Remark
0	0	0	Reserved	
0	0	1	12.50%	
0	1	0	25%	
0	1	1	37.50%	
1	0	0	Reserved	
1	0	1	75%	
1	1	0	100%	
1	1	1	50%	Default

## 7. PROTECTION MODE

The IS25LP064/032A/B supports hardware and software write-protection mechanisms.

### 7.1 HARDWARE WRITE PROTECTION

The Write Protection (WP#) pin provides a hardware write protection method for BP3, BP2, BP1, BP0, SRWD, and QE in the Status Register. Refer to the section 6.1 STATUS REGISTER.

Write inhibit voltage ( $V_{WI}$ ) is specified in the section 9.7 POWER-UP AND POWER-DOWN. All write sequence will be ignored when  $V_{CC}$  drops to  $V_{WI}$ .

**Table 7.1 Hardware Write Protection on Status Register**

SRWD	WP#	Status Register
0	Low	Writable
1	Low	Protected
0	High	Writable
1	High	Writable

**Note:** Before the execution of any program, erase or write Status/Function Register instruction, the Write Enable Latch (WEL) bit must be enabled by executing a Write Enable (WREN) instruction. If the WEL bit is not enabled, the program, erase or write register instruction will be ignored.

### 7.2 SOFTWARE WRITE PROTECTION

The IS25LP064/032A/B also provides a software write protection feature. The Block Protection (TBS, BP3, BP2, BP1, BP0) bits allow part or the whole memory area to be write-protected.

## 8. DEVICE OPERATION

The IS25LP064/032A/B utilizes an 8-bit instruction register. Refer to Table 8.1. Instruction Set for details on instructions and instruction codes. All instructions, addresses, and data are shifted in with the most significant bit (MSB) first on Serial Data Input (SI) or Serial Data IOs (IO0, IO1, IO2, IO3). The input data on SI or IOs is latched on the rising edge of Serial Clock (SCK) for normal mode and both of rising and falling edges for DTR mode after Chip Enable (CE#) is driven low ( $V_{IL}$ ). Every instruction sequence starts with a one-byte instruction code and is followed by address bytes, data bytes, or both address bytes and data bytes, depending on the type of instruction. CE# must be driven high ( $V_{IH}$ ) after the last bit of the instruction sequence has been shifted in to end the operation.

**Table 8.1 Instruction Set**

Instruction Name	Operation	Total Bytes	Mode	Byte0	Byte1	Byte2	Byte3	Byte4	Byte5	Byte6
NORD	Normal Read Mode	4	SPI	03h	A <23:16>	A <15:8>	A <7:0>	Data out		
FRD	Fast Read Mode	5	SPI QPI	0Bh	A <23:16>	A <15:8>	A <7:0>	Dummy <sup>(1)</sup> Byte	Data out	
FRDIO	Fast Read Dual I/O	3	SPI	BBh	A <23:16> Dual	A <15:8> Dual	A <7:0> Dual	AXh <sup>(1),(2)</sup> Dual	Dual Data out	
FRDO	Fast Read Dual Output	5	SPI	3Bh	A <23:16>	A <15:8>	A <7:0>	Dummy <sup>(1)</sup> Byte	Dual Data out	
FRQIO	Fast Read Quad I/O	2	SPI QPI	EBh	A <23:16> Quad	A <15:8> Quad	A <7:0> Quad	AXh <sup>(1),(2)</sup> Quad	Quad Data out	
FRQO	Fast Read Quad Output	5	SPI	6Bh	A <23:16>	A <15:8>	A <7:0>	Dummy <sup>(1)</sup> Byte	Quad Data out	
FRDTR	Fast Read DTR Mode	5	SPI QPI	0Dh	A <23:16>	A <15:8>	A <7:0>	Dummy <sup>(1)</sup> Byte	Dual Data out	
FRDDTR	Fast Read Dual I/O DTR	3	SPI	BDh	A <23:16> Dual	A <15:8> Dual	A <7:0> Dual	AXh <sup>(1),(2)</sup> Dual	Dual Data out	
FRQDTR	Fast Read Quad I/O DTR	5	SPI QPI	EDh	A <23:16>	A <15:8>	A <7:0>	AXh <sup>(1),(2)</sup> Quad	Quad Data out	
PP	Input Page Program	4 + 256	SPI QPI	02h	A <23:16>	A <15:8>	A <7:0>	PD (256byte)		
PPQ	Quad Input Page Program	4 + 256	SPI	32h 38h	A <23:16>	A <15:8>	A <7:0>	Quad PD (256byte)		
SER	Sector Erase	4	SPI QPI	D7h 20h	A <23:16>	A <15:8>	A <7:0>			
BER32 (32Kb)	Block Erase 32K	4	SPI QPI	52h	A <23:16>	A <15:8>	A <7:0>			
BER64 (64Kb)	Block Erase 64K	4	SPI QPI	D8h	A <23:16>	A <15:8>	A <7:0>			
CER	Chip Erase	1	SPI QPI	C7h 60h						
WREN	Write Enable	1	SPI QPI	06h						
WRDI	Write Disable	1	SPI QPI	04h						
RDSR	Read Status Register	1	SPI QPI	05h	SR					
WRSR	Write Status Register	2	SPI QPI	01h	WSR Data					

Instruction Name	Operation	Total Bytes	Mode	Byte0	Byte1	Byte2	Byte3	Byte4	Byte5	Byte6
RDFR	Read Function Register	1	SPI QPI	48h	Data out					
WRFR	Write Function Register	2	SPI QPI	42h	WFR Data					
QIOEN	Enter QPI mode	1	SPI	35h						
QIODI	Exit QPI mode	1	QPI	F5h						
PERSUS	Suspend during program/erase	1	SPI QPI	75h B0h						
PERRSM	Resume program/erase	1	SPI QPI	7Ah 30h						
DP	Deep Power Down	1	SPI QPI	B9h						
RDID, RDPD	Read ID / Release Power Down	4	SPI QPI	ABh	XXh <sup>(3)</sup>	XXh <sup>(3)</sup>	XXh <sup>(3)</sup>	ID7-ID0		
SRP	Set Read Parameters	2	SPI QPI	C0h	Data in					
RDJID	Read JEDEC ID Command	1	SPI	9Fh	MF7-MF0	ID15-ID8	ID7-ID0			
RDMDID	Read Manufacturer & Device ID	4	SPI QPI	90h	XXh <sup>(3)</sup>	XXh <sup>(3)</sup>	00h	MF7-MF0	ID7-ID0	
							01h	ID7-ID0	MF7-MF0	
RDJIDQ	Read JEDEC ID QPI mode	1	QPI	AFh	MF7-MF0	ID15-ID8	ID7-ID0			
RDUID	Read Unique ID	5	SPI QPI	4Bh	A <sup>(4)</sup> <23:16>	A <sup>(4)</sup> <15:8>	A <sup>(4)</sup> <7:0>	Dummy Byte	Data out	
RDSFDP	SFDP Read	5	SPI QPI	5Ah	A <23:16>	A <15:8>	A <7:0>	Dummy Byte	Data out	
NOP	No Operation	1	SPI QPI	00h						
RSTEN	Software Reset Enable	1	SPI QPI	66h						
RST	Software Reset	1	SPI QPI	99h						
IRER	Erase Information Row	4	SPI QPI	64h	A <23:16>	A <15:8>	A <7:0>			
IRP	Program Information Row	4 + 256	SPI QPI	62h	A <23:16>	A <15:8>	A <7:0>	PD (256byte)		
IRRD	Read Information Row	5	SPI QPI	68h	A <23:16>	A <15:8>	A <7:0>	Dummy Byte	Data out	
SECUN-LOCK	Sector Unlock	4	SPI QPI	26h	A <23:16>	A <15:8>	A <7:0>			
SECLock	Sector Lock	1	SPI QPI	24h						

**Notes:**

1. The number of dummy cycles depends on the value setting in the Table 6.10 Read Dummy Cycles.
2. AXh has to be counted as a part of dummy cycles. X means “don’t care”.
3. XX means “don’t care”.
4. A<23:9> are “don’t care” and A<8:4> are always “0”.

### 8.1 NORMAL READ OPERATION (NORD, 03h)

The NORMAL READ (NORD) instruction is used to read memory contents of the IS25LP064/032A/B at a maximum frequency of 50MHz.

The NORD instruction code is transmitted via the SI line, followed by three address bytes (A23 - A0) of the first memory location to be read. A total of 24 address bits are shifted in, but only A<sub>MSB</sub> (most significant bit) - A<sub>0</sub> are decoded. The remaining bits (A23 - A<sub>MSB+1</sub>) are ignored. The first byte addressed can be at any memory location. Upon completion, any data on the SI will be ignored. Refer to Table 8.2 for the related Address Key.

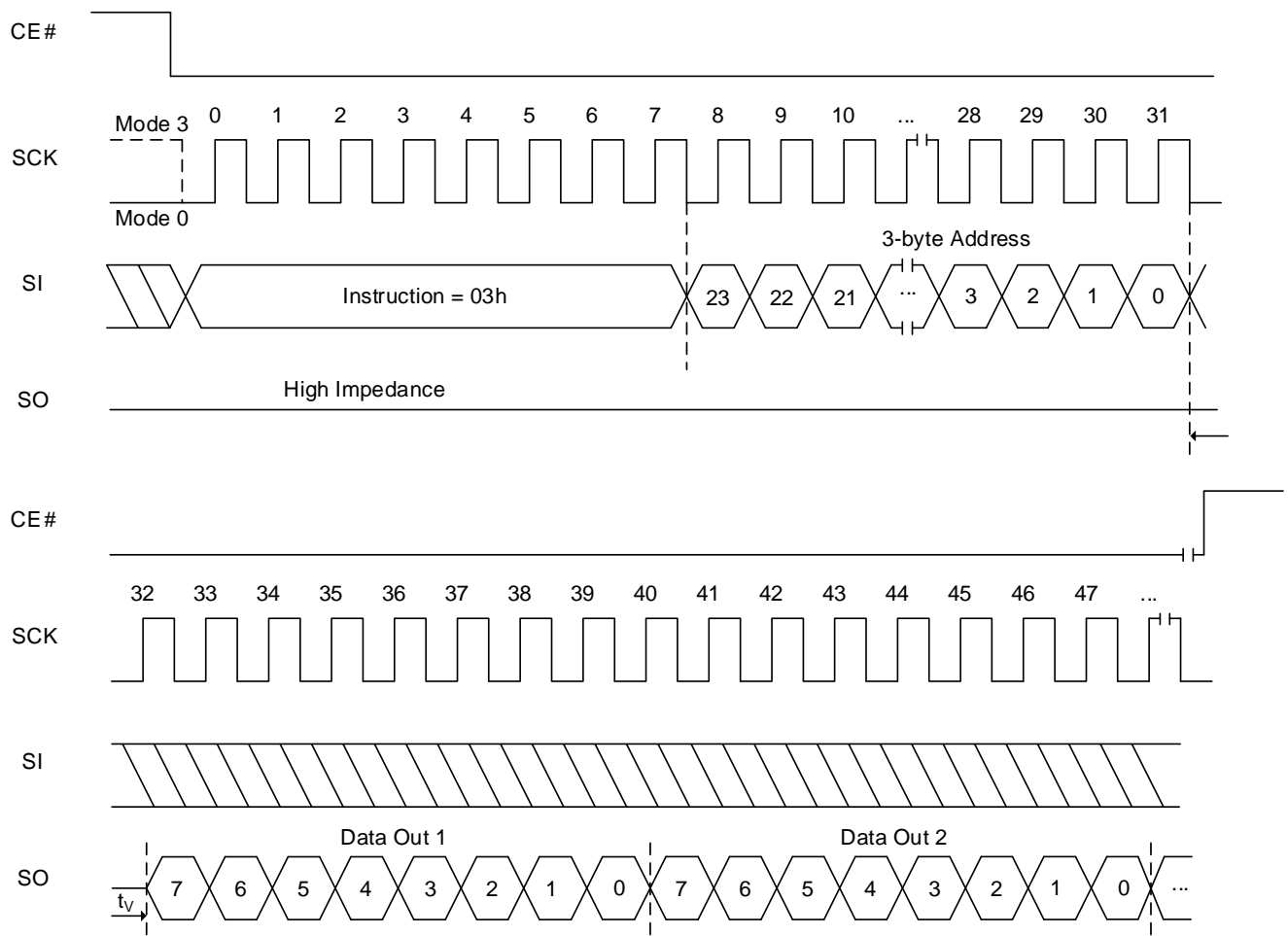
The first byte data (D7 - D0) is shifted out on the SO line, MSB first. A single byte of data, or up to the whole memory array, can be read out in one NORMAL READ instruction. The address is automatically incremented by one after each byte of data is shifted out. The read operation can be terminated at any time by driving CE# high (VIH) after the data comes out. When the highest address of the device is reached, the address counter will roll over to the 000000h address, allowing the entire memory to be read in one continuous READ instruction.

If the NORMAL READ instruction is issued while an Erase, Program or Write operation is in process (WIP=1) the instruction is ignored and will not have any effects on the current operation.

**Table 8.2 Address Key**

Address	IS25LP064A/B	IS25LP032A/B
A <sub>MSB</sub> - A <sub>0</sub>	A23 - A0 (A23=X)	A23 - A0 (A23,A22=X)

**X=Don't Care**

**Figure 8.1 Normal Read Sequence**




## 8.2 FAST READ OPERATION (FRD, 0Bh)

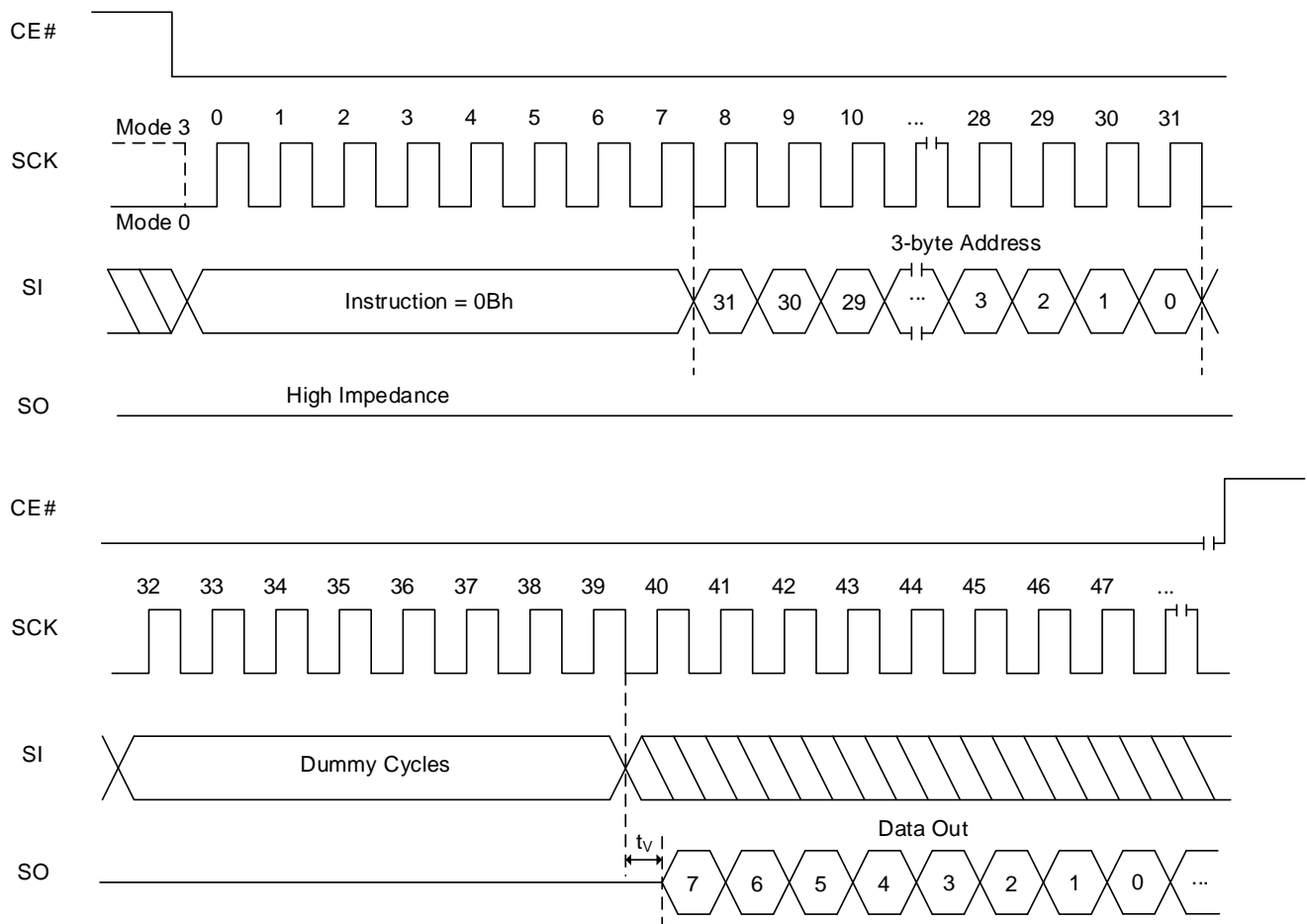
The FAST READ (FRD) instruction is used to read memory data at up to a 133MHz clock.

The FAST READ instruction code is followed by three address bytes (A23 - A0) and a dummy byte (8 clocks), transmitted via the SI line, with each bit latched-in during the rising edge of SCK. Then the first data byte from the address is shifted out on the SO line, with each bit shifted out at a maximum frequency  $f_{cr}$ , during the falling edge of SCK.

The first byte addressed can be at any memory location. The address is automatically incremented by one after each byte of data is shifted out. When the highest address is reached, the address counter will roll over to the 000000h address, allowing the entire memory to be read with a single FAST READ instruction. The FAST READ instruction is terminated by driving CE# high (VIH).

If the FAST READ instruction is issued while an Erase, Program or Write cycle is in process (WIP=1) the instruction is ignored without affecting the current cycle.

**Figure 8.2 Fast Read Sequence**



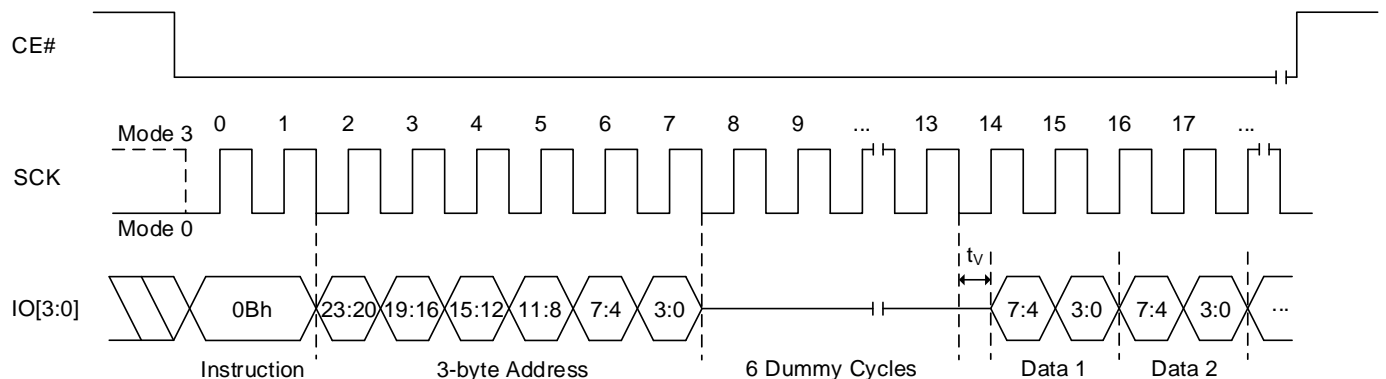
**FAST READ QPI OPERATION (FRD QPI, 0Bh)**

The FAST READ QPI (FRD QPI) instruction is used to read memory data at up to a 133MHz clock.

The FAST READ QPI instruction code (2 clocks) is followed by three address bytes (A23-A0—6clocks) and 6 dummy cycles (configurable, default is 6 clocks), transmitted via the IO3, IO2, IO1 and IO0 lines, with each bit latched-in during the rising edge of SCK. Then the first data byte addressed is shifted out on the IO3, IO2, IO1 and IO0 lines, with each bit shifted out at a maximum frequency  $f_{CT}$ , during the falling edge of SCK.

The first byte addressed can be at any memory location. The address is automatically incremented by one after each byte of data is shifted out. When the highest address is reached, the address counter will roll over to the 000000h address, allowing the entire memory to be read with a single FAST READ QPI instruction. The FAST READ QPI instruction is terminated by driving CE# high (VIH).

If the FAST READ QPI instruction is issued while an Erase, Program or Write cycle is in process (WIP=1) the instruction is ignored without affecting the current cycle.

**Figure 8.3 Fast Read QPI Sequence**


**Note: Number of dummy cycles depends on Read Parameter setting. Detailed information in Table 6.10 Read Dummy Cycles.**

### 8.3 HOLD OPERATION

HOLD# is used in conjunction with CE# to select the IS25LP064/032A/B. When the device is selected and a serial sequence is underway, HOLD# can be used to pause the serial communication with the master device without resetting the serial sequence. To pause, HOLD# is brought low while the SCK signal is low. To resume serial communication, HOLD# is brought high while the SCK signal is low (SCK may still toggle during HOLD). Inputs to SI will be ignored while SO is in the high impedance state, during HOLD.

**Note: HOLD is not supported in DTR mode or with QE=1 or for the specific parts that do not have HOLD# pin.**

Timing graph can be referenced in AC Parameters Figure 9.4

### 8.4 FAST READ DUAL I/O OPERATION (FRDIO, BBh)

The FRDIO allows the address bits to be input two bits at a time. This may allow for code to be executed directly from the SPI in some applications.

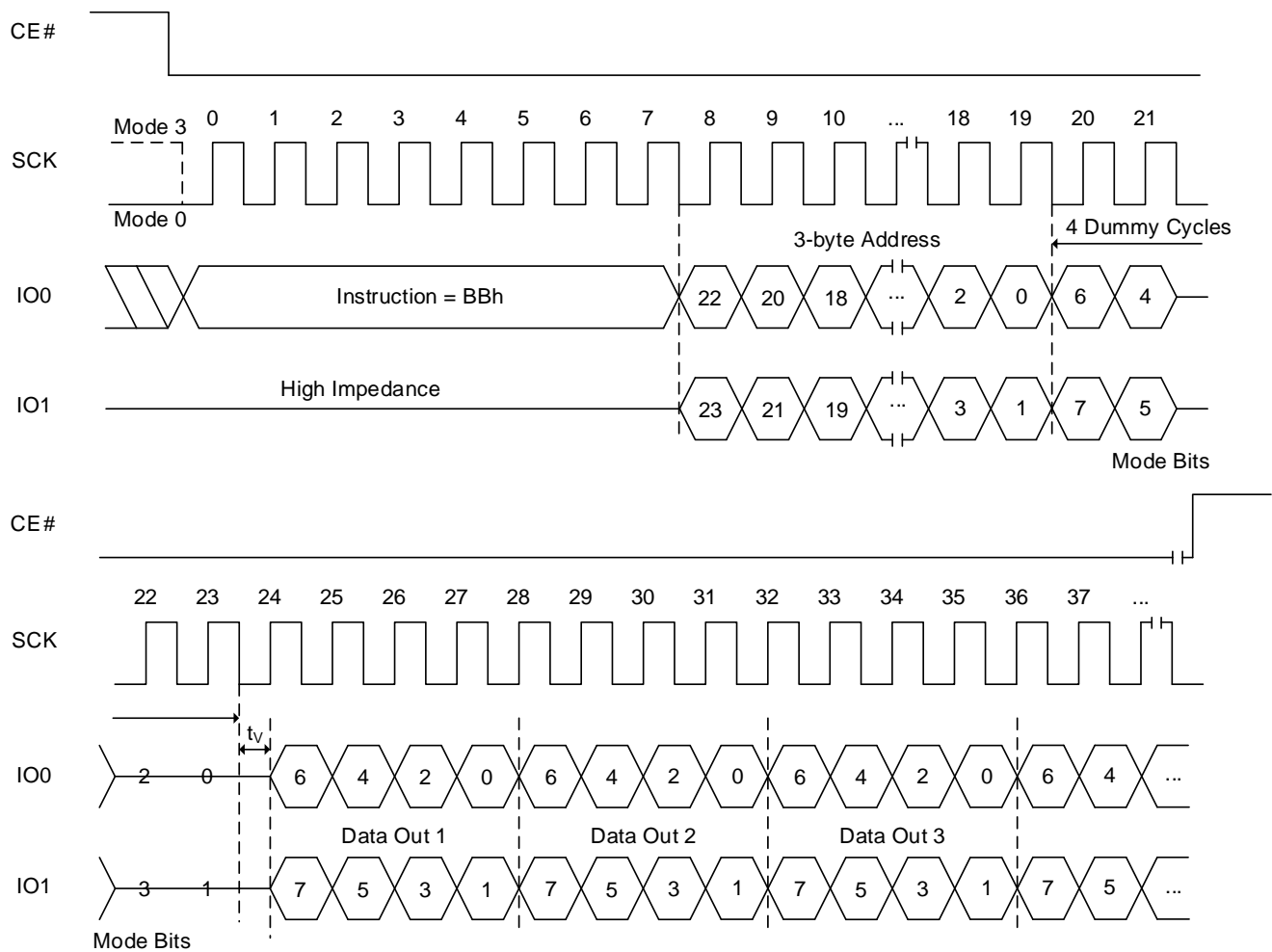
The FRDIO instruction code is followed by three address bytes (A23 – A0) and dummy cycles (configurable, default is 4 clocks), transmitted via the IO1 and IO0 lines, with each pair of bits latched-in during the rising edge of SCK. The address MSB is input on IO1, the next bit on IO0, and this shift pattern continues to alternate between the two lines. Depending on the usage of AX read operation mode, a mode byte may be located after address input.

The first data byte addressed is shifted out on the IO1 and IO0 lines, with each pair of bits shifted out at a maximum frequency  $f_{CT}$ , during the falling edge of SCK. The MSB is output on IO1, while simultaneously the second bit is output on IO0. Figure 8.4 illustrates the timing sequence.

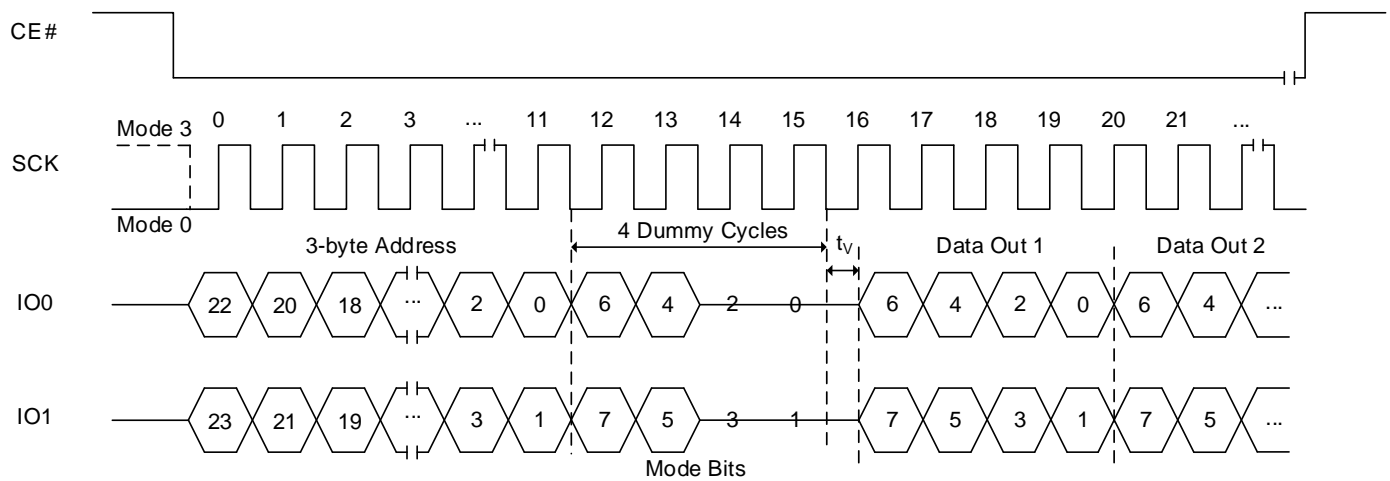
The first byte addressed can be at any memory location. The address is automatically incremented by one after each byte of data is shifted out. When the highest address is reached, the address counter will roll over to the 000000h address, allowing the entire memory to be read with a single FRDIO instruction. FRDIO instruction is terminated by driving CE# high ( $V_{IH}$ ).

The device supports the AX read operation by applying mode bits during dummy period. Mode bits consist of 8 bits, such as M7 to M0. Four cycles after address input are reserved for Mode bits in FRDIO execution. M7 to M4 are important for enabling this mode. M3 to M0 become don't care for future use. When M[7:4]=1010(Ah), it enables the AX read operation and subsequent FRDIO execution skips command code. It saves cycles as described in Figure 8.5. When the code is different from AXh (where X is don't care), the device exits the AX read operation. After finishing the read operation, device becomes ready to receive a new command. SPI or QPI mode configuration retains the prior setting. Mode bit must be applied during dummy cycles. Number of dummy cycle in Table 6.10 includes number of mode bit cycles. If dummy cycles is configured as 4 cycles, data output will start right after mode bit applied.

If the FRDIO instruction is issued while an Erase, Program or Write cycle is in process (WIP=1) the instruction is ignored and will not affect the current cycle.

**Figure 8.4 Fast Read Dual I/O Sequence (with command decode cycles)**

**Notes:**

1. If the mode bits=AXh (where X is don't care), it can execute the AX read mode (without command). When the mode bits are different from AXh, the device exits the AX read operation.
2. Number of dummy cycles depends on clock speed. Detailed information in Table 6.10. Read Dummy Cycles.
3. Since the number of dummy cycles and AX bit cycles are same in the above Figure, X should be Hi-Z to avoid I/O contention.

**Figure 8.5 Fast Read Dual I/O AX Read Sequence (without command decode cycles)**

**Notes:**

1. If the mode bits=AXh (where X is don't care), it will keep executing the AX read mode (without command). When the mode bits are different from AXh, the device exits the AX read operation.
2. Number of dummy cycles depends on clock speed. Detailed information in Table 6.10 Read Dummy Cycles.
3. Since the number of dummy cycles and AX bit cycles are same in the above Figure, X should be Hi-Z to avoid I/O contention.

### 8.5 FAST READ DUAL OUTPUT OPERATION (FRDO, 3Bh)

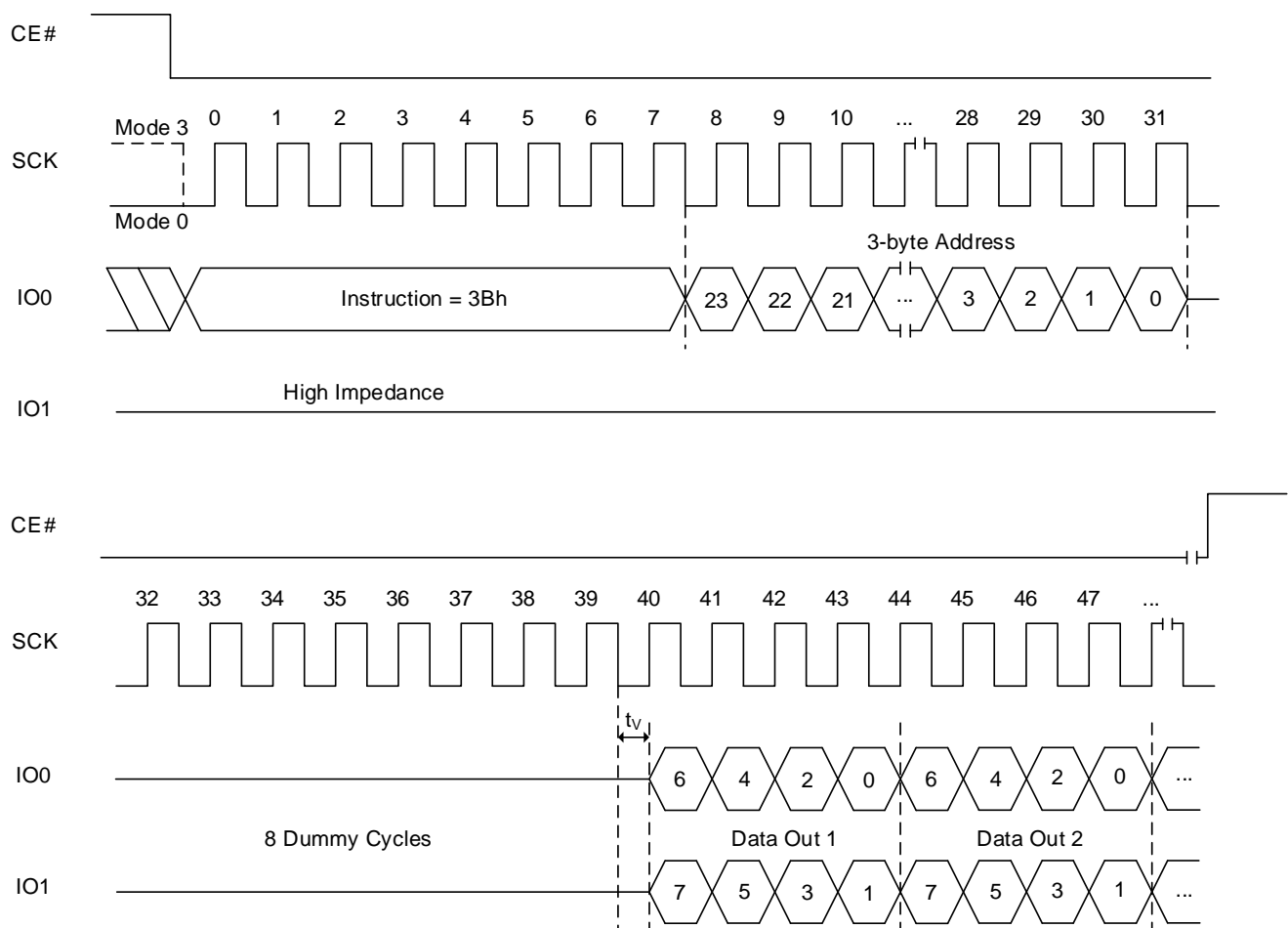
The FRDO instruction is used to read memory data on two output pins each at up to a 133MHz clock.

The FRDO instruction code is followed by three address bytes (A23 – A0) and a dummy byte (8 clocks), transmitted via the IO0 line, with each bit latched-in during the rising edge of SCK. Then the first data byte addressed is shifted out on the IO1 and IO0 lines, with each pair of bits shifted out at a maximum frequency  $f_{CT}$ , during the falling edge of SCK. The first bit (MSB) is output on IO1. Simultaneously the second bit is output on IO0.

The first byte addressed can be at any memory location. The address is automatically incremented by one after each byte of data is shifted out. When the highest address is reached, the address counter will roll over to the 000000h address, allowing the entire memory to be read with a single FRDO instruction. The FRDO instruction is terminated by driving CE# high ( $V_{IH}$ ).

If the FRDO instruction is issued while an Erase, Program or Write cycle is in process ( $BUSY=1$ ) the instruction is ignored and will not have any effects on the current cycle.

**Figure 8.6 Fast Read Dual Output Sequence**



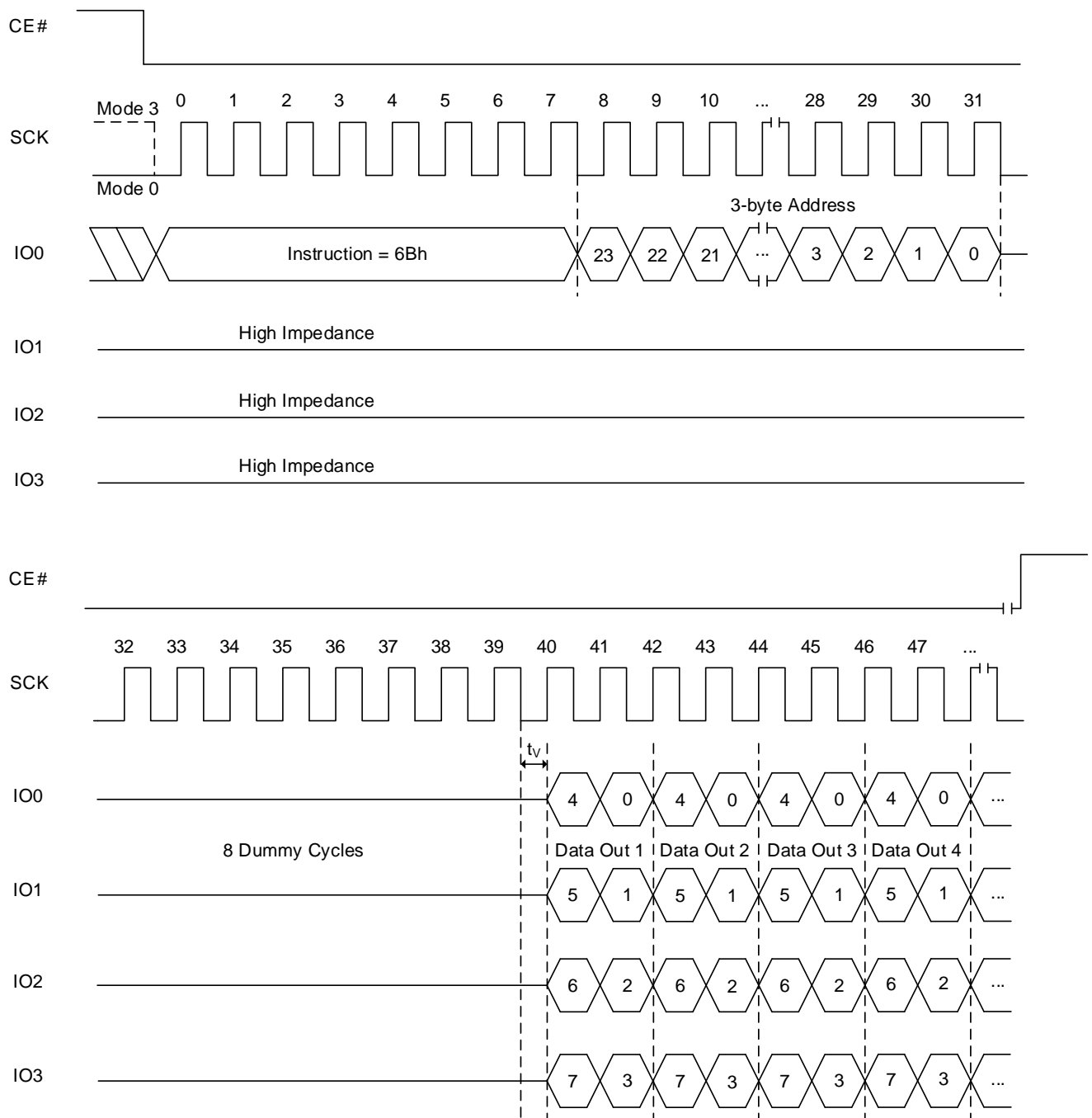
### **8.6 FAST READ QUAD OUTPUT OPERATION (FRQO, 6Bh)**

The FRQO instruction is used to read memory data on four output pins each at up to a 133 MHz clock.

The FRQO instruction code is followed by three address bytes (A23 – A0) and a dummy byte (8 clocks), transmitted via the IO0 line, with each bit latched-in during the rising edge of SCK. Then the first data byte addressed is shifted out on the IO3, IO2, IO1 and IO0 lines, with each group of four bits shifted out at a maximum frequency fCT, during the falling edge of SCK. The first bit (MSB) is output on IO3, while simultaneously the second bit is output on IO2, the third bit is output on IO1, etc.

The first byte addressed can be at any memory location. The address is automatically incremented after each byte of data is shifted out. When the highest address is reached, the address counter will roll over to the 000000h address, allowing the entire memory to be read with a single FRQO instruction. FRQO instruction is terminated by driving CE# high (VIH).

If a FRQO instruction is issued while an Erase, Program or Write cycle is in process (BUSY=1) the instruction is ignored and will not have any effects on the current cycle.

**Figure 8.7 Fast Read Quad Output Sequence**




### **8.7 FAST READ QUAD I/O OPERATION (FRQIO, EBh)**

The FRQIO instruction allows the address bits to be input four bits at a time. This may allow for code to be executed directly from the SPI in some applications.

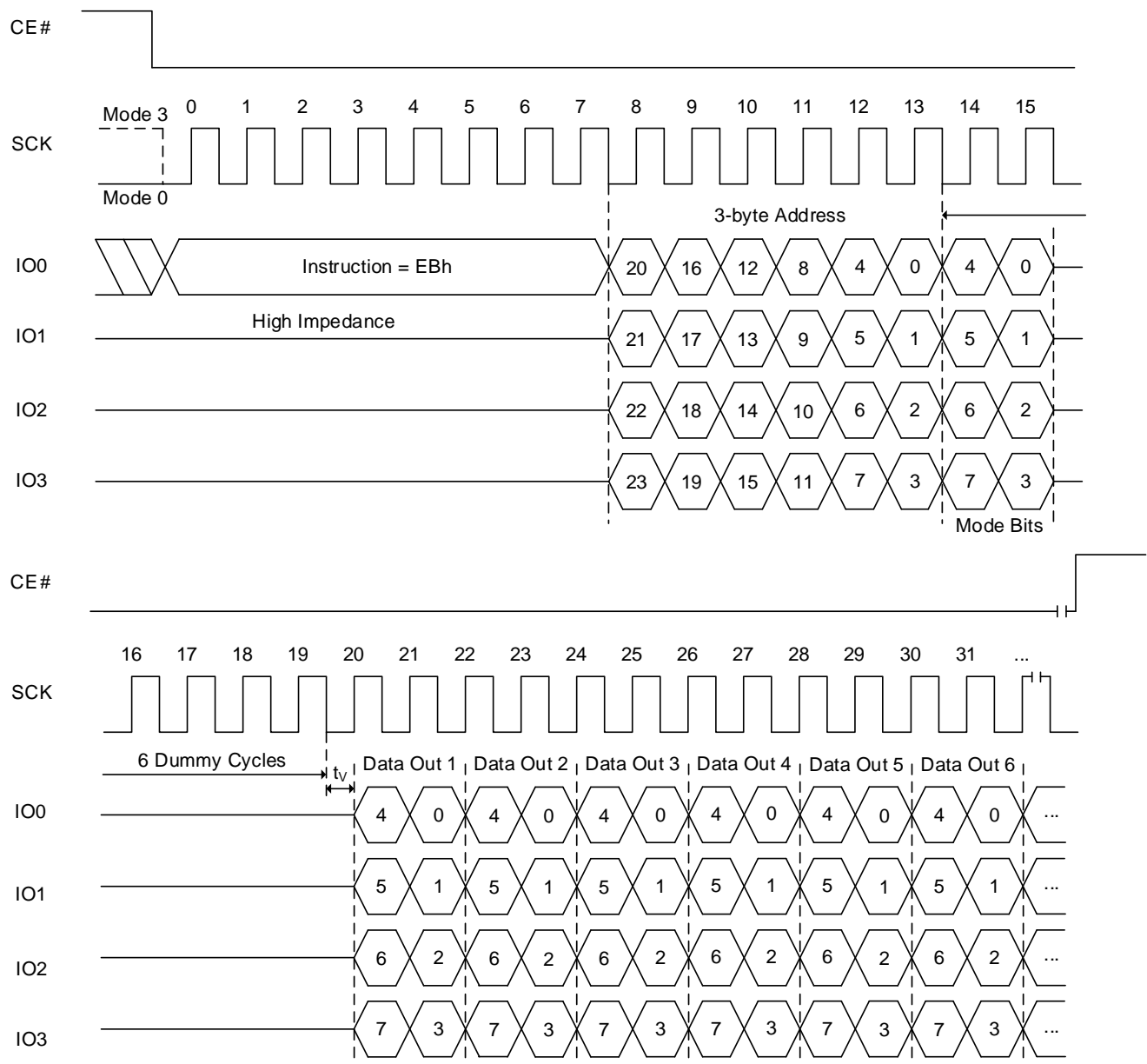
The FRQIO instruction code is followed by three address bytes (A23 – A0) and dummy cycles (configurable, default is 6 clocks), transmitted via the IO3, IO2, IO1 and IO0 lines, with each group of four bits latched-in during the rising edge of SCK. The address of MSB inputs on IO3, the next bit on IO2, the next bit on IO1, the next bit on IO0, and continue to shift in alternating on the four. Depending on the usage of AX read operation mode, a mode byte may be located after address input.

The first data byte addressed is shifted out on the IO3, IO2, IO1 and IO0 lines, with each group of four bits shifted out at a maximum frequency  $f_{CT}$ , during the falling edge of SCK. The first bit (MSB) is output on IO3, while simultaneously the second bit is output on IO2, the third bit is output on IO1, etc. Figure 8.8 illustrates the timing sequence.

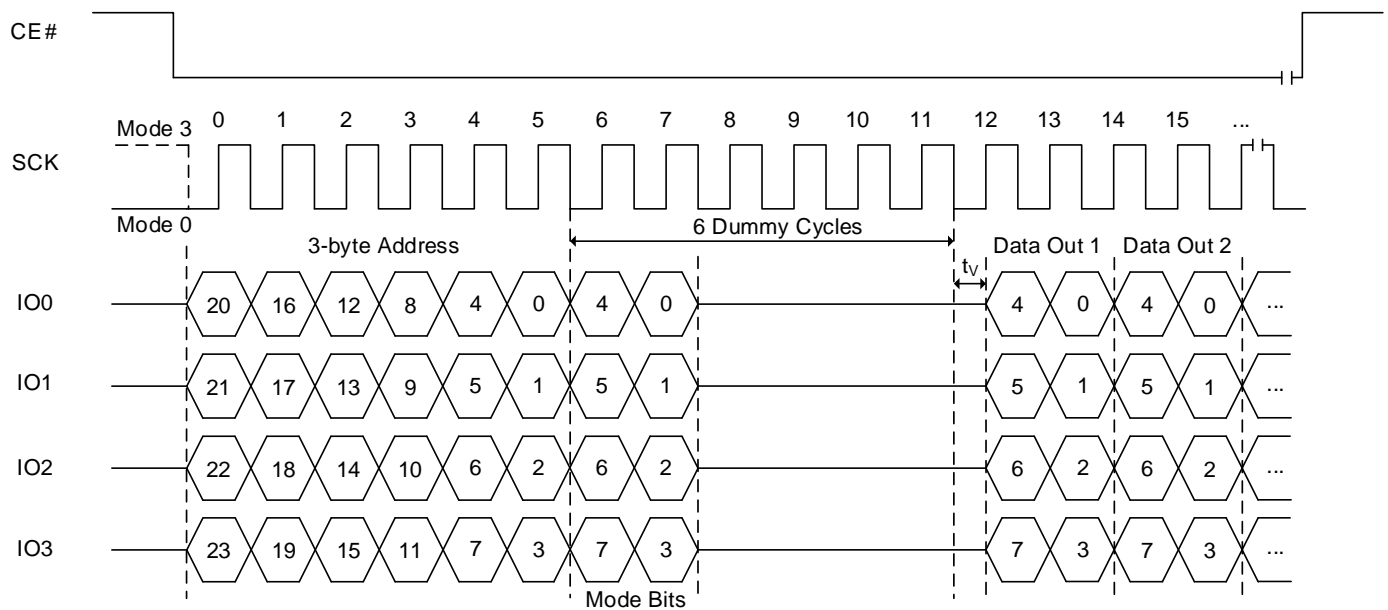
The first byte addressed can be at any memory location. The address is automatically incremented after each byte of data is shifted out. When the highest address is reached, the address counter will roll over to the 000000h address, allowing the entire memory to be read with a single FRQIO instruction. FRQIO instruction is terminated by driving CE# high ( $V_{IH}$ ).

The device supports the AX read operation by applying mode bits during dummy period. Mode bits consists of 8 bits, such as M7 to M0. Two cycles after address input are reserved for Mode bits in FRQIO execution. M7 to M4 are important for enabling this mode. M3 to M0 become don't care for future use. When M[7:4]=1010(Ah), it enables the AX read operation and subsequent FRQIO execution skips command code. It saves cycles as described in Figure 8.9. When the code is different from AXh (where X is don't care), the device exits the AX read operation. After finishing the read operation, device becomes ready to receive a new command. SPI or QPI mode configuration retains the prior setting. Mode bit must be applied during dummy cycles. Number of dummy cycle in Table 6.10 includes number of mode bit cycles. If dummy cycles is configured as 6 cycles, data output will starts right after mode bits and 4 additional dummy cycles are applied.

If the FRQIO instruction is issued while an Erase, Program or Write cycle is in process (WIP=1) the instruction is ignored and will not have any effects on the current cycle.

**Figure 8.8 Fast Read Quad I/O Sequence (with command decode cycles)**

**Notes:**

1. If the mode bits=AXh (where X is don't care), it can execute the AX read mode (without command). When the mode bits are different from AXh, the device exits the AX read operation.
2. Number of dummy cycles depends on clock speed. Detailed information in Table 6.10 Read Dummy Cycles.

**Figure 8.9 Fast Read Quad I/O AX Read Sequence (without command decode cycles)**

**Notes:**

1. If the mode bits=AXh (where X is don't care), it will keep executing the AX read mode (without command). When the mode bits are different from AXh, the device exits the AX read operation.
2. Number of dummy cycles depends on clock speed. Detailed information in Table 6.10 Read Dummy Cycles.

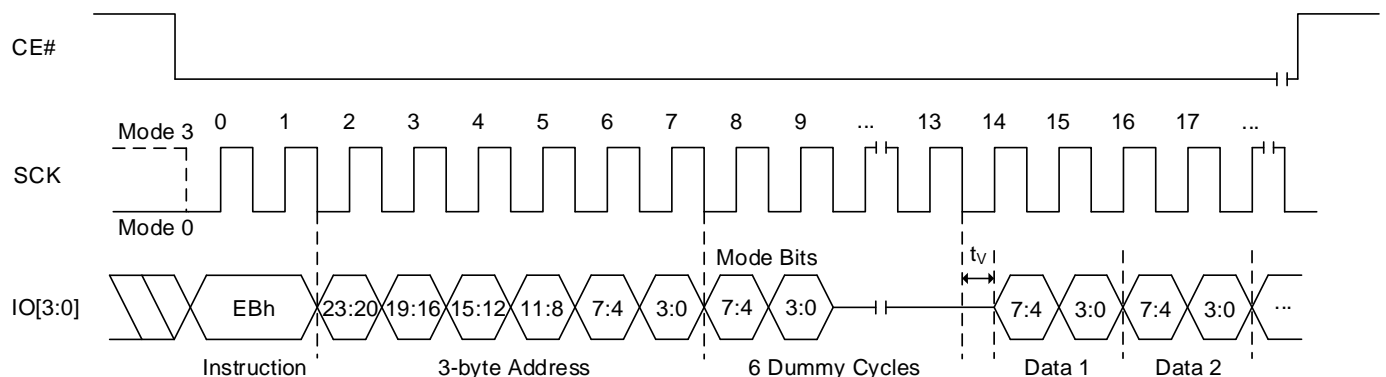
**FAST READ QUAD I/O QPI OPERATION (FRQIO QPI, EBh)**

The FRQIO QPI instruction is used to read memory data at up to a 133MHz clock.

The FRQIO QPI instruction utilizes all four IO lines to input the instruction code so that only two clocks are required, while the FRQIO instruction requires that the byte-long instruction code is shifted into the device only via IO0 line in eight clocks. As a result, 6 command cycles will be reduced by the FRQIO QPI instruction. In addition, subsequent address and data out are shifted in/out via all four IO lines like the FRQIO instruction. In fact, except for the command cycle, the FRQIO QPI operation is exactly same as the FRQIO. A Quad Enable (QE) bit of Status Register must be set to "1" before sending the FRQIO QPI instruction.

The device supports the AX read operation by applying mode bits during dummy period. Mode bits consist of 8 bits, such as M7 to M0. Two cycles after address input are reserved for Mode bits in FRQIO execution. M7 to M4 are important for enabling this mode. M3 to M0 become don't care for future use. When M[7:4]=1010(Ah), it enables the AX read operation and subsequent FRQIO execution skips command code. It saves cycles as described in Figure 8.9. When the code is different from AXh (where X is don't care), the device exits the AX read operation. After finishing the read operation, device becomes ready to receive a new command. SPI or QPI mode configuration retains the prior setting. Mode bit must be applied during dummy cycles. Number of dummy cycles in Table 6.10 includes number of mode bit cycles. If dummy cycles are configured as 6 cycles, data output will start right after mode bits and 4 additional dummy cycles are applied.

If the FRQIO QPI instruction is issued while an Erase, Program or Write cycle is in process (WIP=1) the instruction is ignored and will not have any effects on the current cycle.

**Figure 8.10 Fast Read Quad I/O QPI Sequence**


**Note:** Number of dummy cycles depends on Read Parameter setting. Detailed information in Table 6.10 Read Dummy Cycles.

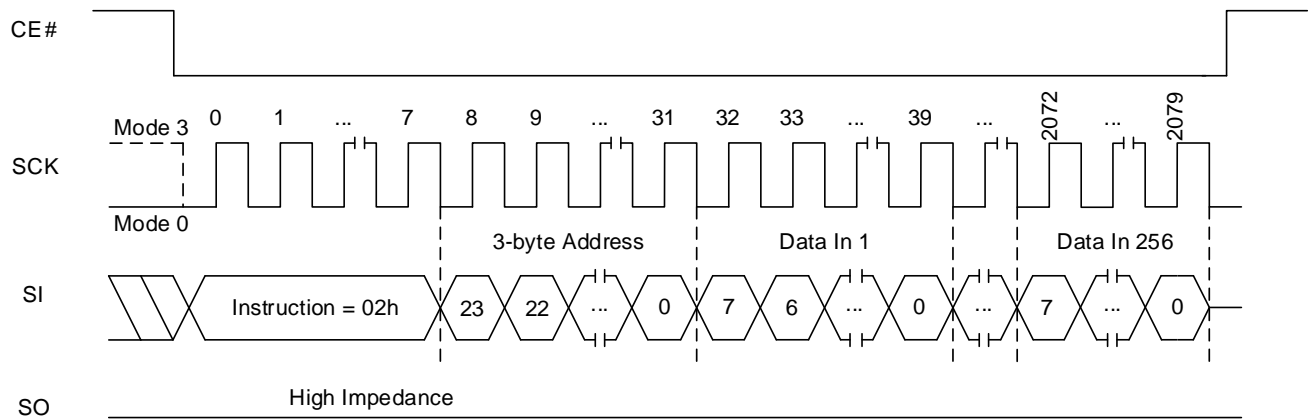
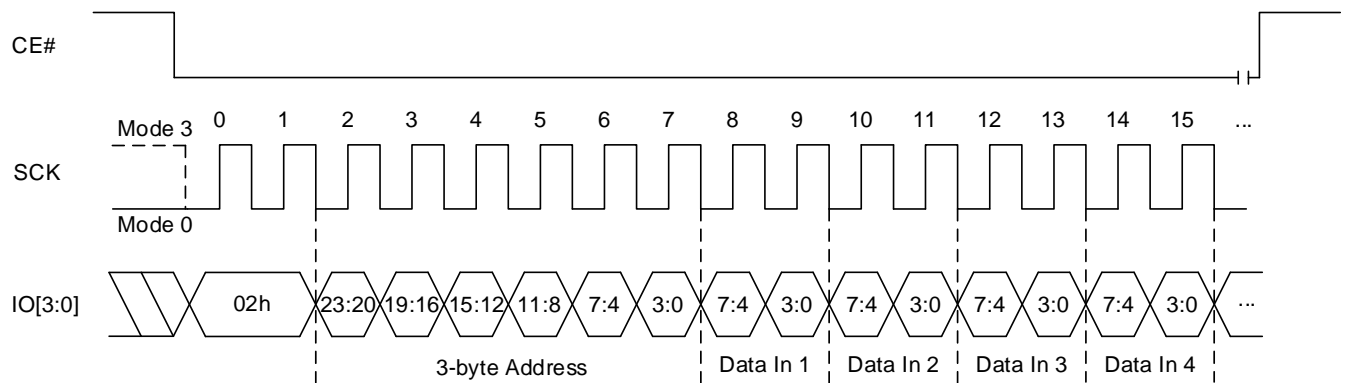
### **8.8 PAGE PROGRAM OPERATION (PP, 02h)**

The Page Program (PP) instruction allows up to 256 bytes data to be programmed into memory in a single operation. The destination of the memory to be programmed must be outside the protected memory area set by the Block Protection (BP3, BP2, BP1, BP0) bits. A PP instruction which attempts to program into a page that is write-protected will be ignored. Before the execution of PP instruction, the Write Enable Latch (WEL) must be enabled through a Write Enable (WREN) instruction.

The PP instruction code, three address bytes and program data (1 to 256 bytes) are input via the SI line. Program operation will start immediately after the CE# is brought high, otherwise the PP instruction will not be executed. The internal control logic automatically handles the programming voltages and timing. During a program operation, all instructions will be ignored except the RDSR instruction. The progress or completion of the program operation can be determined by reading the WIP bit in Status Register via a RDSR instruction. If the WIP bit is "1", the program operation is still in progress. If WIP bit is "0", the program operation has completed.

If more than 256 bytes data are sent to a device, the address counter rolls over within the same page, the previously latched data are discarded, and the last 256 bytes are kept to be programmed into the page. The starting byte can be anywhere within the page. When the end of the page is reached, the address will wrap around to the beginning of the same page. If the data to be programmed are less than a full page, the data of all other bytes on the same page will remain unchanged.

**Note: A program operation can alter "1"s into "0"s, but an erase operation is required to change "0"s back to "1"s. A byte cannot be reprogrammed without first erasing the whole sector or block.**

**Figure 8.11 Page Program Sequence**

**Figure 8.12 Page Program QPI Sequence**


### 8.9 QUAD INPUT PAGE PROGRAM OPERATION (PPQ, 32h/38h)

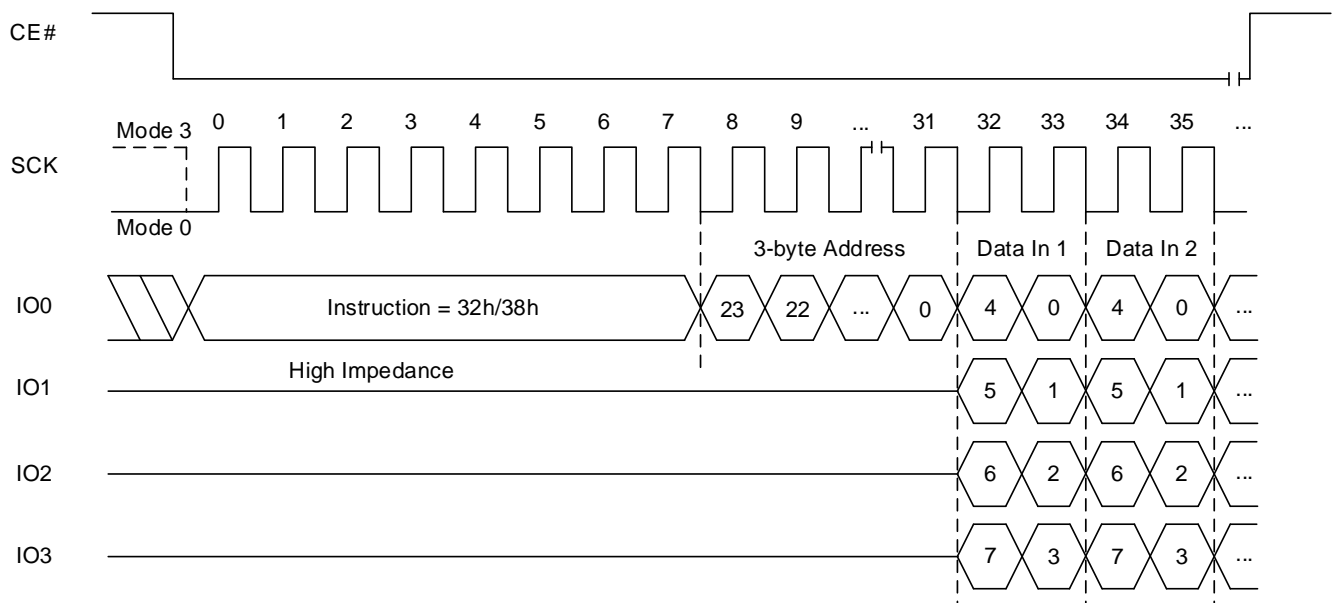
The Quad Input Page Program instruction allows up to 256 bytes data to be programmed into memory in a single operation with four pins (IO0, IO1, IO2 and IO3). The destination of the memory to be programmed must be outside the protected memory area set by the Block Protection (BP3, BP2, BP1, BP0) bits. A Quad Input Page Program instruction which attempts to program into a page that is write-protected will be ignored. Before the execution of Quad Input Page Program instruction, the QE bit in the Status Register must be set to “1” and the Write Enable Latch (WEL) must be enabled through a Write Enable (WREN) instruction.

The Quad Input Page Program instruction code, three address bytes and program data (1 to 256 bytes) are input via the four pins (IO0, IO1, IO2 and IO3). Program operation will start immediately after the CE# is brought high, otherwise the Quad Input Page Program instruction will not be executed. The internal control logic automatically handles the programming voltages and timing. During a program operation, all instructions will be ignored except the RDSR instruction. The progress or completion of the program operation can be determined by reading the WIP bit in Status Register via a RDSR instruction. If the WIP bit is “1”, the program operation is still in progress. If WIP bit is “0”, the program operation has completed.

If more than 256 bytes data are sent to a device, the address counter rolls over within the same page, the previously latched data are discarded, and the last 256 bytes data are kept to be programmed into the page. The starting byte can be anywhere within the page. When the end of the page is reached, the address will wrap around to the beginning of the same page. If the data to be programmed are less than a full page, the data of all other bytes on the same page will remain unchanged.

**Note: A program operation can alter “1”s into “0”s, but an erase operation is required to change “0”s back to “1”s. A byte cannot be reprogrammed without first erasing the whole sector or block.**

**Figure 8.13 Quad Input Page Program Sequence**



### **8.10 ERASE OPERATION**

The memory array of the IS25LP064/032A/B is organized into uniform 4 Kbyte sectors or 32/64 Kbyte uniform blocks (a block consists of eight/sixteen adjacent sectors respectively).

Before a byte is reprogrammed, the sector or block that contains the byte must be erased (erasing sets bits to "1"). In order to erase the device, there are three erase instructions available: Sector Erase (SER), Block Erase (BER) and Chip Erase (CER). A sector erase operation allows any individual sector to be erased without affecting the data in other sectors. A block erase operation erases any individual block. A chip erase operation erases the whole memory array of a device. A sector erase, block erase, or chip erase operation can be executed prior to any programming operation.



### 8.11 SECTOR ERASE OPERATION (SER, D7h/20h)

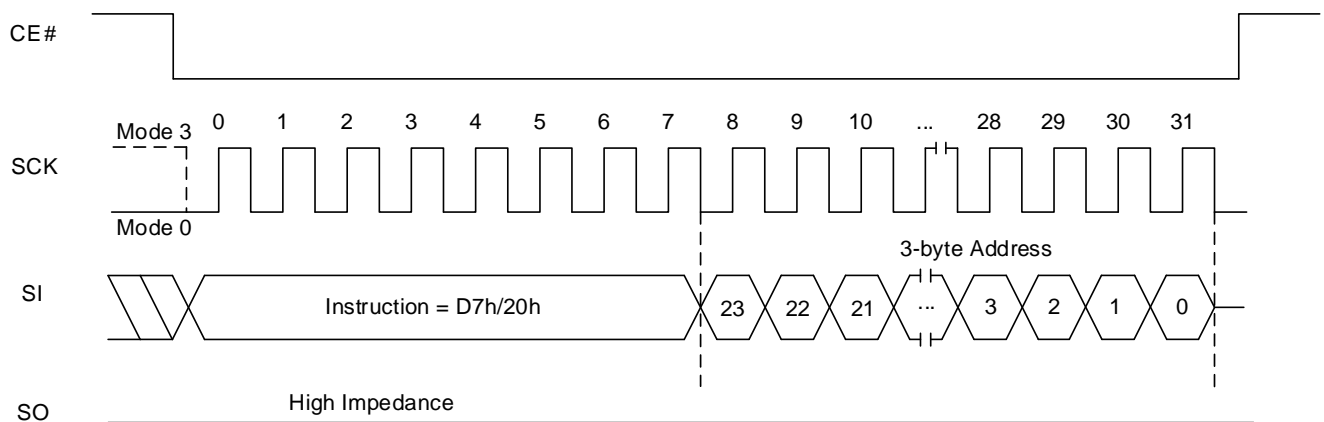
A Sector Erase (SER) instruction erases a 4 Kbyte sector before the execution of a SER instruction, the Write Enable Latch (WEL) must be set via a Write Enable (WREN) instruction. The WEL bit is automatically reset after the completion of Sector Erase operation.

A SER instruction is entered, after CE# is pulled low to select the device and stays low during the entire instruction sequence. The SER instruction code, and three address bytes are input via SI. Erase operation will start immediately after CE# is pulled high. The internal control logic automatically handles the erase voltage and timing.

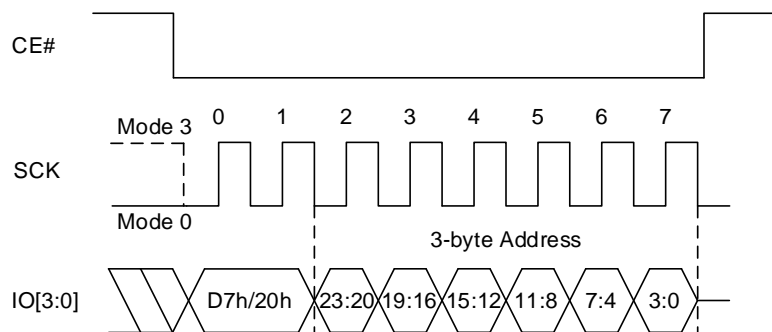
During an erase operation, all instruction will be ignored except the Read Status Register (RDSR) instruction. The progress or completion of the erase operation can be determined by reading the WIP bit in the Status Register using a RDSR instruction.

If the WIP bit is "1", the erase operation is still in progress. If the WIP bit is "0", the erase operation has been completed.

**Figure 8.14 Sector Erase Sequence**



**Figure 8.15 Sector Erase QPI Sequence**



**8.12 BLOCK ERASE OPERATION (BER32K:52h, BER64K:D8h)**

A Block Erase (BER) instruction erases a 32/64 Kbyte block. Before the execution of a BER instruction, the Write Enable Latch (WEL) must be set via a Write Enable (WREN) instruction. The WEL is reset automatically after the completion of a block erase operation.

The BER instruction code and three address bytes are input via SI. Erase operation will start immediately after the CE# is pulled high, otherwise the BER instruction will not be executed. The internal control logic automatically handles the erase voltage and timing.

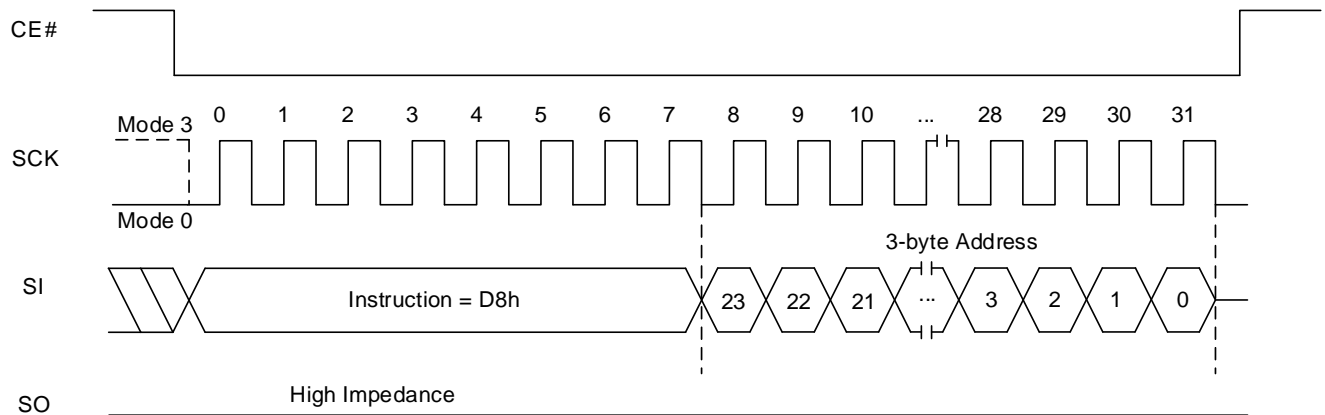
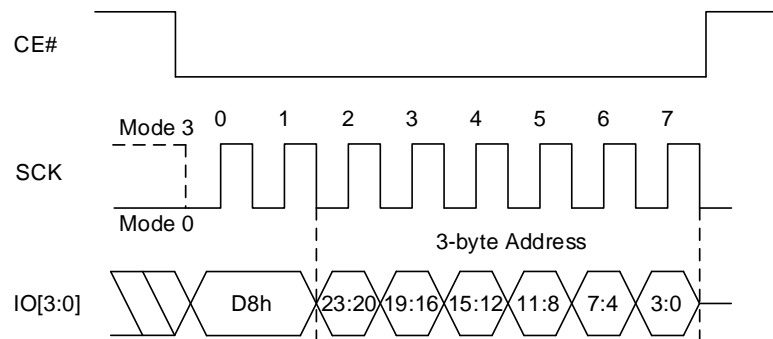
**Figure 8.16 Block Erase (64K) Sequence**

**Figure 8.17 Block Erase (64K) QPI Sequence**


Figure 8.18 Block Erase (32K) Sequence

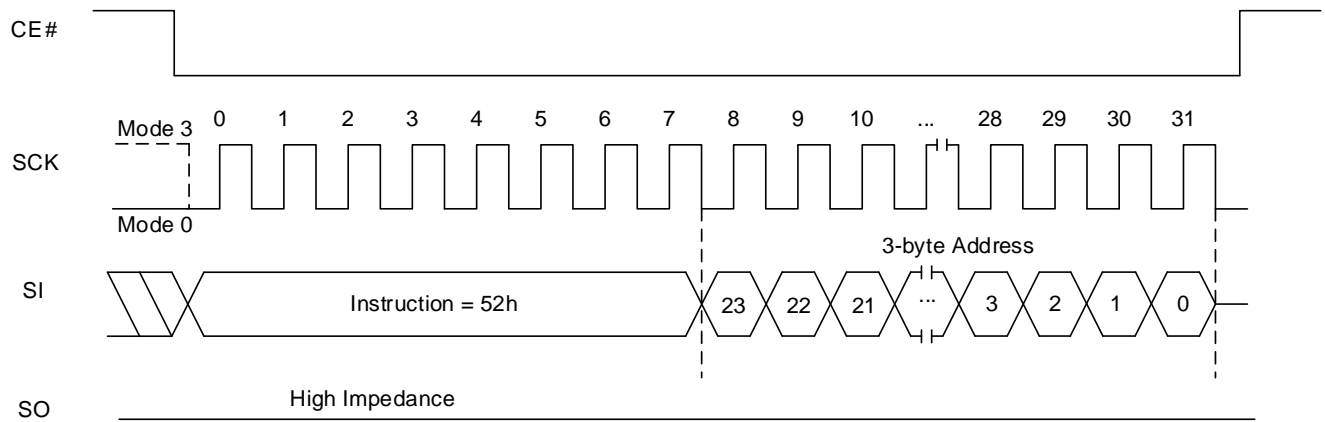
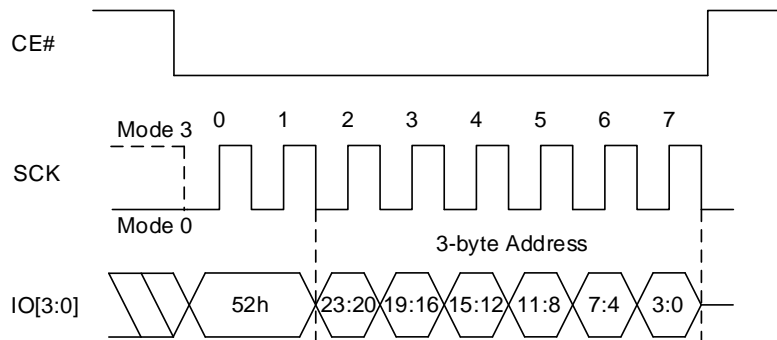


Figure 8.19 Block Erase (32K) QPI Sequence

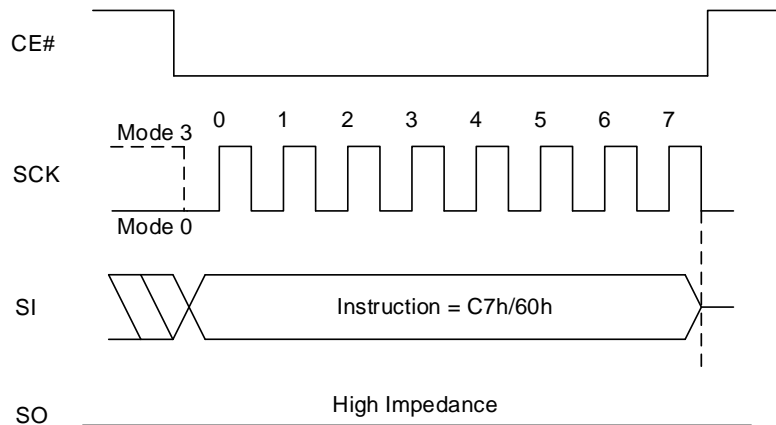


### 8.13 CHIP ERASE OPERATION (CER, C7h/60h)

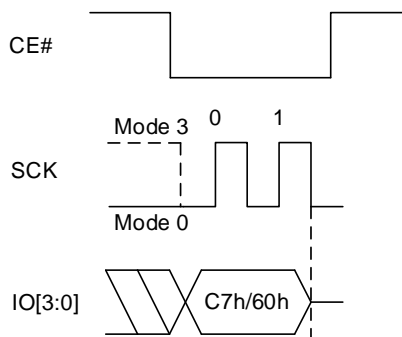
A Chip Erase (CER) instruction erases the entire memory array. Before the execution of CER instruction, the Write Enable Latch (WEL) must be set via a Write Enable (WREN) instruction. The WEL is automatically reset after completion of a chip erase operation.

The CER instruction code is input via the SI. Erase operation will start immediately after CE# is pulled high, otherwise the CER instruction will not be executed. The internal control logic automatically handles the erase voltage and timing.

**Figure 8.20 Chip Erase Sequence**



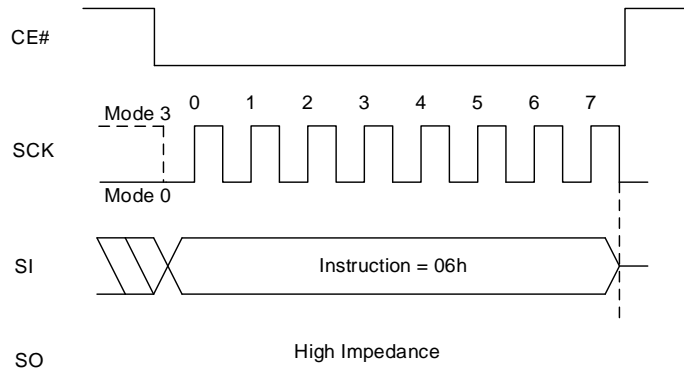
**Figure 8.21 Chip Erase QPI Sequence**



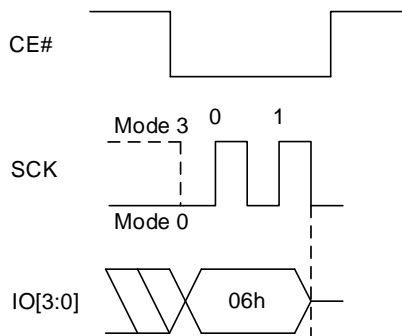
### 8.14 WRITE ENABLE OPERATION (WREN, 06h)

The Write Enable (WREN) instruction is used to set the Write Enable Latch (WEL) bit. The WEL bit is reset to the write-protected state after power-up. The WEL bit must be write enabled before any write operation, including Sector Erase, Block Erase, Chip Erase, Page Program, Program Information Row, Write Status Register, and Write Function Register operations. The WEL bit will be reset to the write-protected state automatically upon completion of a write operation. The WREN instruction is required before any above operation is executed.

**Figure 8.22 Write Enable Sequence**

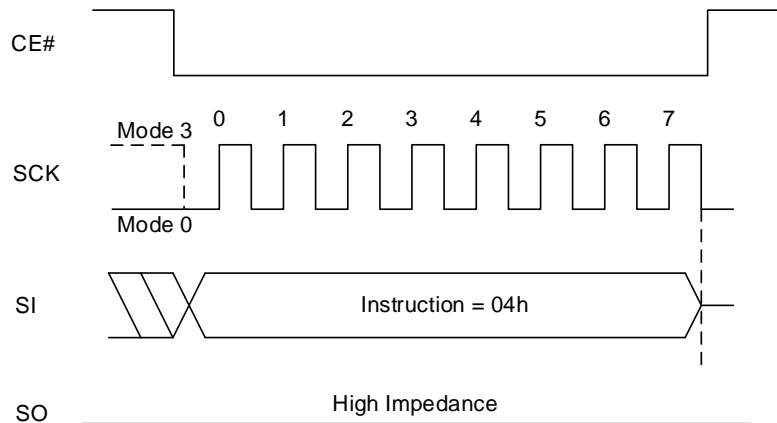
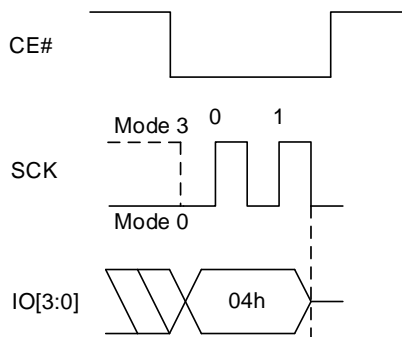


**Figure 8.23 Write Enable QPI Sequence**



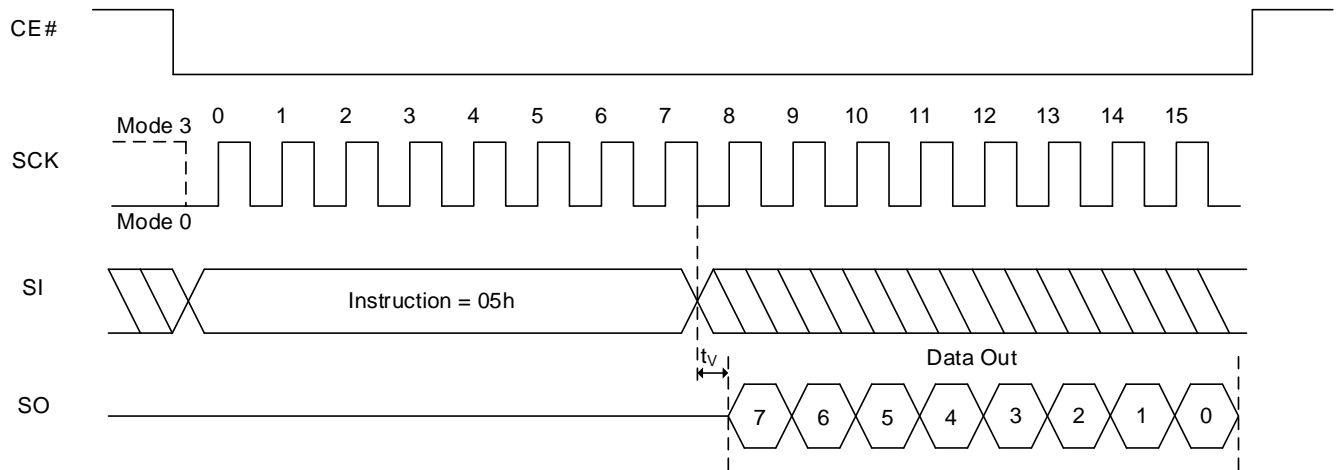
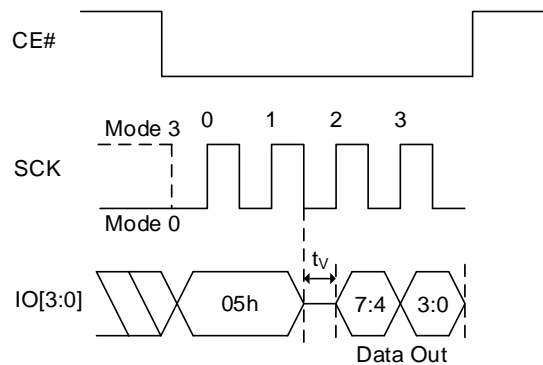
**8.15 WRITE DISABLE OPERATION (WRDI, 04h)**

The Write Disable (WRDI) instruction resets the WEL bit and disables all write instructions. The WRDI instruction is not required after the execution of a write instruction, since the WEL bit is automatically reset.

**Figure 8.24 Write Disable Sequence**

**Figure 8.25 Write Disable QPI Sequence**


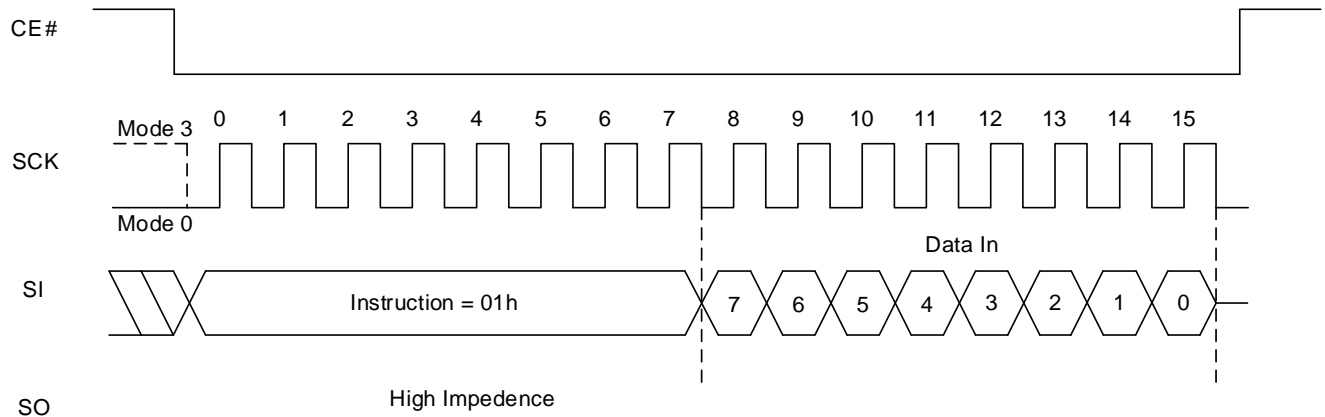
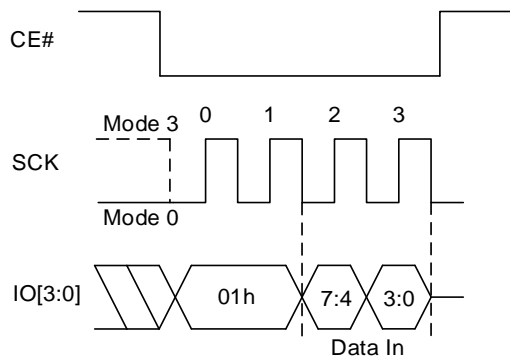
**8.16 READ STATUS REGISTER OPERATION (RDSR, 05h)**

The Read Status Register (RDSR) instruction provides access to the Status Register. During the execution of a program, erase or write Status Register operation, all other instructions will be ignored except the RDSR instruction, which can be used to check the progress or completion of an operation by reading the WIP bit of Status Register.

**Figure 8.26 Read Status Register Sequence**

**Figure 8.27 Read Status Register QPI Sequence**


**8.17 WRITE STATUS REGISTER OPERATION (WRSR, 01h)**

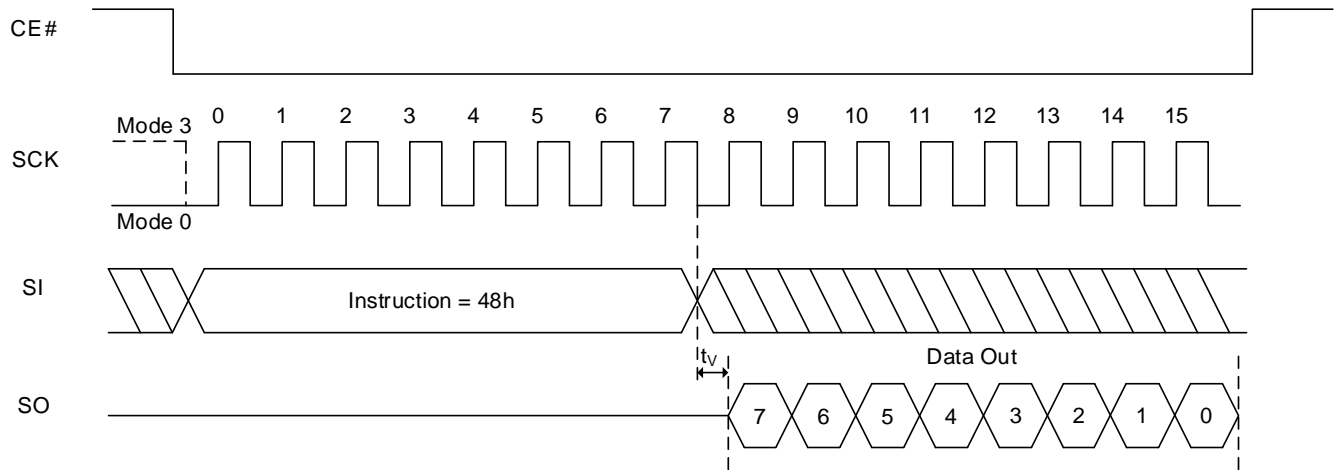
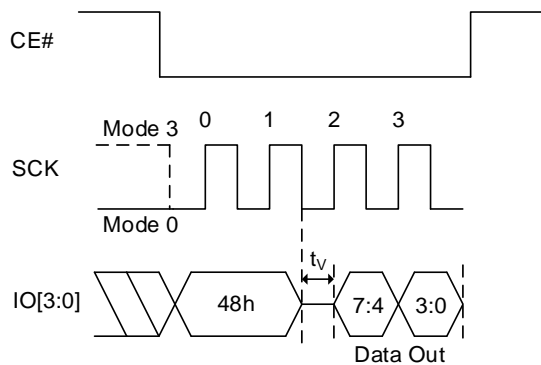
The Write Status Register (WRSR) instruction allows the user to enable or disable the block protection and Status Register write protection features by writing “0”s or “1”s into the non-volatile BP3, BP2, BP1, BP0, and SRWD bits. Also WRSR instruction allows the user to disable or enable quad operation by writing “0” or “1” into the non-volatile QE bit.

**Figure 8.28 Write Status Register Sequence**

**Figure 8.29 Write Status Register QPI Sequence**




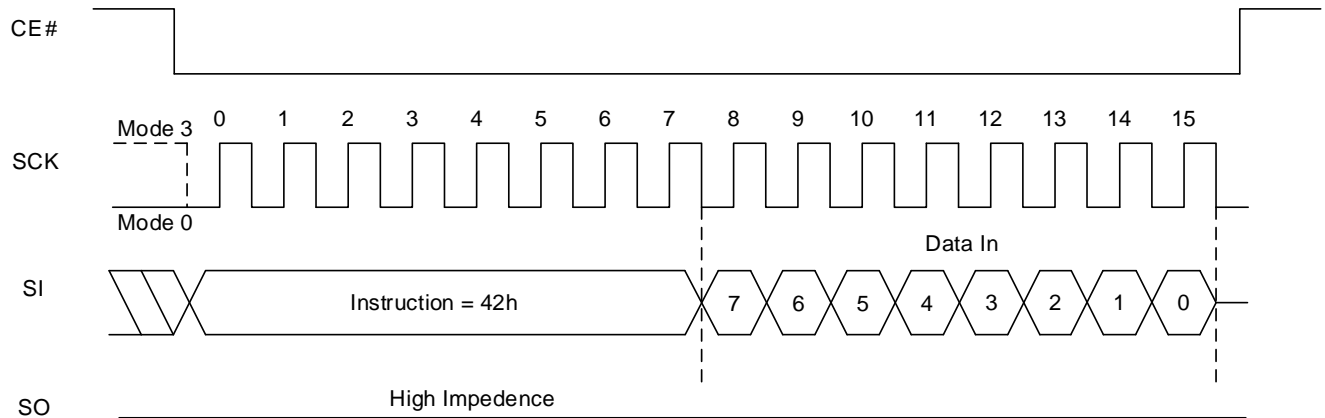
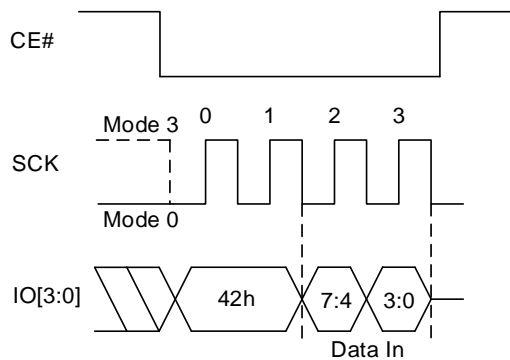
**8.18 READ FUNCTION REGISTER OPERATION (RDFR, 48h)**

The Read Function Register (RDFR) instruction provides access to the Function Register. Refer to Table 6.6 Function Register Bit Definition for more detail.

**Figure 8.30 Read Function Register Sequence**

**Figure 8.31 Read Function Register QPI Sequence**


**8.19 WRITE FUNCTION REGISTER OPERATION (WRFR, 42h)**

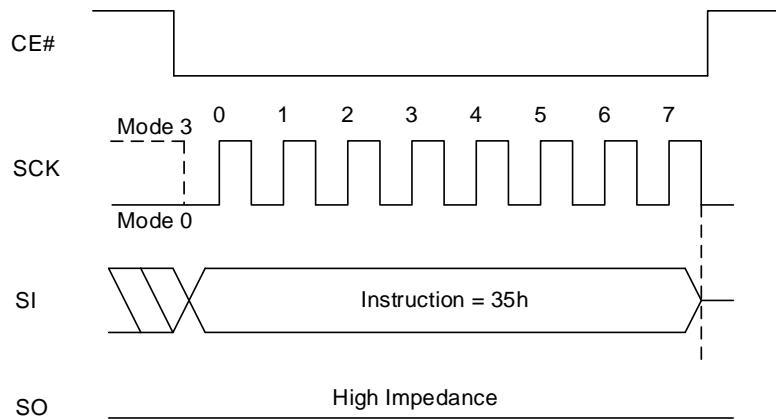
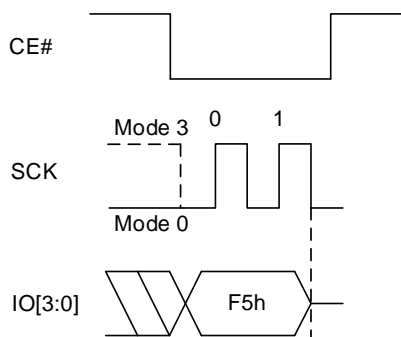
The Write Function Register (WRFR) instruction allows the user to select top or bottom block area by writing into TBS bit and lock or unlock the Information Row by writing “0”s (IR lock) or “1”s (IR unlock) into IRL3, IRL2, IRL1, IRL0.

**Figure 8.32 Write Function Register Sequence**

**Figure 8.33 Write Function Register QPI Sequence**


**8.20 ENTER QUAD PERIPHERAL INTERFACE (QPI) MODE OPERATION (QIOEN, 35h; QIODI, F5h)**

The Enter Quad I/O (QIOEN) instruction, 35h, enables the Flash device for QPI bus operation. Upon completion of the instruction, all instructions thereafter will be 4-bit multiplexed input/output until a power cycle or an Exit Quad I/O instruction is sent to device.

The Exit Quad I/O instruction, F5h, resets the device to 1-bit SPI protocol operation. To execute an Exit Quad I/O operation, the host drives CE# low, sends the Exit Quad I/O command cycle, then drives CE# high. The device just accepts QPI (2 clocks) command cycles.

**Figure 8.34 Enter Quad Peripheral Interface (QPI) Mode Sequence**

**Figure 8.35 Exit Quad Peripheral Interface (QPI) Mode Sequence**


### **8.21 PROGRAM/ERASE SUSPEND & RESUME**

The device allows the interruption of Sector-Erase, Block-Erase or Page-Program operations to conduct other operations. 75h/B0h command for suspend and 7Ah/30h for resume will be used. (SPI/QPI all acceptable) Function Register bit2 (PSUS) and bit3 (ESUS) are used to check whether or not the device is in suspend mode.

Suspend to read ready timing: 100 $\mu$ s.

Resume to another suspend timing: 400 $\mu$ s (recommendation).

#### **PROGRAM/ERASE SUSPEND DURING SECTOR-ERASE OR BLOCK-Erase (PERSUS 75h/B0h)**

The Program/Erase Suspend allows the interruption of Sector Erase and Block Erase operations. After the Program/Erase Suspend, WEL bit will be disabled, therefore only read related, resume and reset commands can be accepted. Refer to Table 8.3 for more detail.

To execute a Program/Erase Suspend operation, the host drives CE# low, sends the Program/Erase Suspend command cycle (75h/B0h), then drives CE# high. The Function Register indicates that the erase has been suspended by changing the ESUS bit from “0” to “1”, but the device will not accept another command until it is ready. To determine when the device will accept a new command, poll the WIP bit in the Status Register or wait the specified time  $t_{SUS}$ . When ESUS bit is issued, the Write Enable Latch (WEL) bit will be reset.

#### **PROGRAM/ERASE SUSPEND DURING PAGE PROGRAMMING (PERSUS 75h/B0h)**

The Program/Erase Suspend allows the interruption of all program operations. After the Program/Erase Suspend command, WEL bit will be disabled, therefore only read related, resume and reset command can be accepted. Refer to Table 8.3 for more detail.

To execute the Program/Erase Suspend operation, the host drives CE# low, sends the Program/Erase Suspend command cycle (75h/B0h), then drives CE# high. The Function Register indicates that the programming has been suspended by changing the PSUS bit from “0” to “1”, but the device will not accept another command until it is ready. To determine when the device will accept a new command, poll the WIP bit in the Status Register or wait the specified time  $t_{SUS}$ .

#### **PROGRAM/ERASE RESUME (PERRSM 7Ah/30h)**

The Program/Erase Resume restarts the Program or Erase command that was suspended, and changes the suspend status bit in the Function Register (ESUS or PSUS bits) back to “0”. To execute the Program/Erase Resume operation, the host drives CE# low, sends the Program/Erase Resume command cycle (7Ah/30h), then drives CE# high. A cycle is two nibbles long, most significant nibble first. To determine if the internal, self-timed Write operation completed, poll the WIP bit in the Status Register, or wait the specified time  $t_{SE}$ ,  $t_{BE}$  or  $t_{PP}$  for Sector Erase, Block Erase, or Page Programming, respectively. The total write time before suspend and after resume will not exceed the uninterrupted write times  $t_{SE}$ ,  $t_{BE}$  or  $t_{PP}$ .

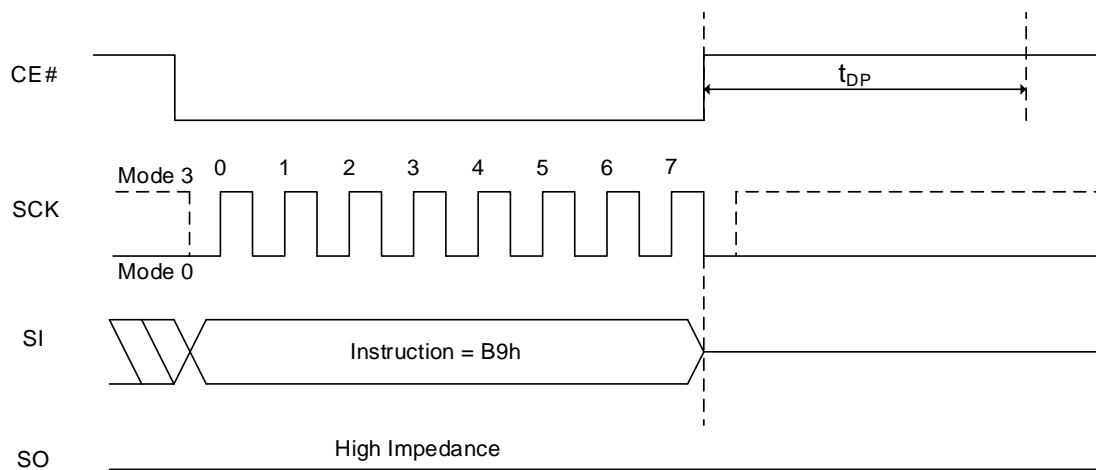
**Table 8.3 Instructions accepted during Suspend**

Operation Suspended	Instruction Allowed		
	Name	Hex Code	Operation
Program or Erase	NORD	03h	Read Data Bytes from Memory at Normal Read Mode
Program or Erase	FRD	0Bh	Read Data Bytes from Memory at Fast Read Mode
Program or Erase	FRDIO	BBh	Fast Read Dual I/O
Program or Erase	FRDO	3Bh	Fast Read Dual Output
Program or Erase	FRQIO	EBh	Fast Read Quad I/O
Program or Erase	FRQO	6Bh	Fast Read Quad Output
Program or Erase	FRDTR	0Dh	Fast Read DTR Mode
Program or Erase	FRDDTR	BDh	Fast Read Dual I/O DTR
Program or Erase	FRQDTR	EDh	Fast Read Quad I/O DTR
Program or Erase	RDSR	05h	Read Status Register
Program or Erase	RDFR	48h	Read Function Register
Program or Erase	PERRSM	7Ah/30h	Resume program/erase
Program or Erase	RDID	ABh	Read Manufacturer and Product ID
Program or Erase	SRPV	C0	Set Read Parameters (Volatile)
Program or Erase	RDJDID	9Fh	Read Manufacturer and Product ID by JEDEC ID Command
Program or Erase	RDMDID	90h	Read Manufacturer and Device ID
Program or Erase	RDJDIDQ	AFh	Read JEDEC ID QPI mode
Program or Erase	RDUID	4Bh	Read Unique ID Number
Program or Erase	RDSFDP	5Ah	SFDP Read
Program or Erase	NOP	00h	No Operation
Program or Erase	RSTEN	66h	Software reset enable
Program or Erase	RST	99h	Reset (Only along with 66h)
Program or Erase	IRRD	68h	Read Information Row

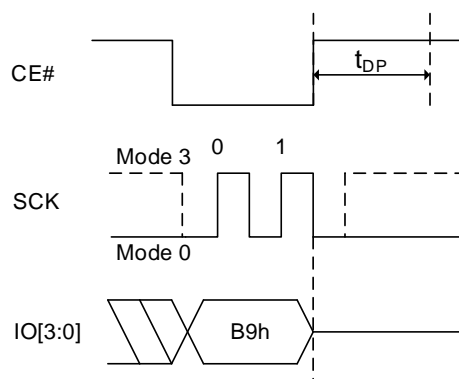
### 8.22 ENTER DEEP POWER DOWN (DP, B9h)

The Enter Deep Power-down (DP) instruction is for setting the device on the minimizing the power consumption (enter into Power-down mode). During this mode, standby current is reduced from  $I_{sb1}$  to  $I_{sb2}$ . While in the Power-down mode, the device is not active and all Write/Program/Erase instructions are ignored. The instruction is initiated by driving the CE# pin low and shifting the instruction code into the device. The CE# pin must be driven high after the instruction has been latched, or Power-down mode will not engage. Once CE# pin driven high, the Power-down mode will be entered within the time duration of  $t_{DP}$ . While in the Power-down mode only the Release from Power-down/RDID instruction, which restores the device to normal operation, will be recognized. All other instructions are ignored, including the Read Status Register instruction which is always available during normal operation. Ignoring all but one instruction makes the Power Down state a useful condition for securing maximum write protection. It is available in both SPI and QPI mode.

**Figure 8.36 Enter Deep Power Down Mode Sequence**



**Figure 8.37 Enter Deep Power Down Mode QPI Sequence**

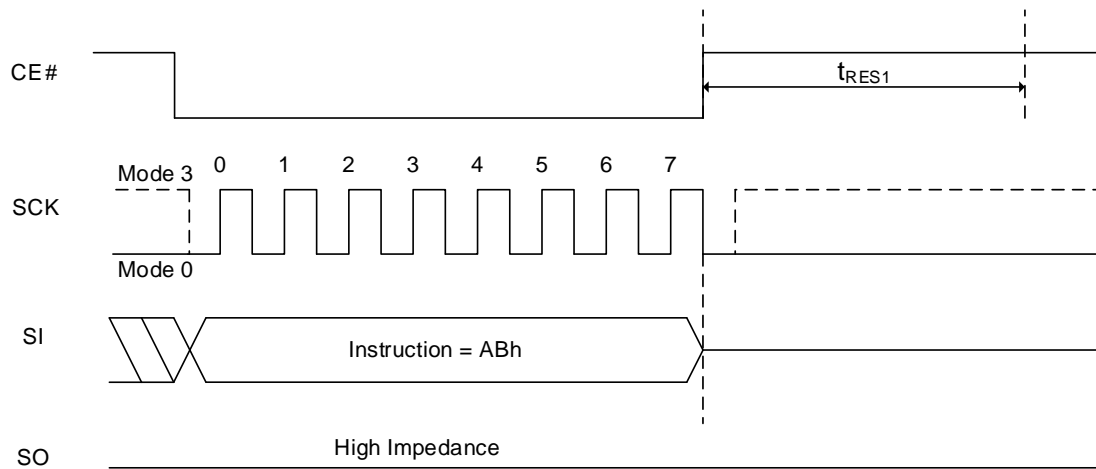


### 8.23 RELEASE DEEP POWER DOWN (RDPD, ABh)

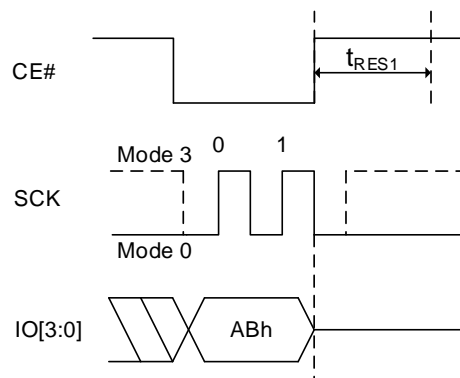
The Release Deep Power-down/Read Device ID instruction is a multi-purpose command. To release the device from the Power-down mode, the instruction is issued by driving the CE# pin low, shifting the instruction code "ABh" and driving CE# high.

Releasing the device from Power-down mode will take the time duration of  $t_{RES1}$  before normal operation is restored and other instructions are accepted. The CE# pin must remain high during the  $t_{RES1}$  time duration. If the Release Deep Power-down/RDID instruction is issued while an Erase, Program or Write cycle is in progress (WIP=1) the instruction is ignored and will not have any effects on the current cycle.

**Figure 8.38 Release Power Down Sequence**



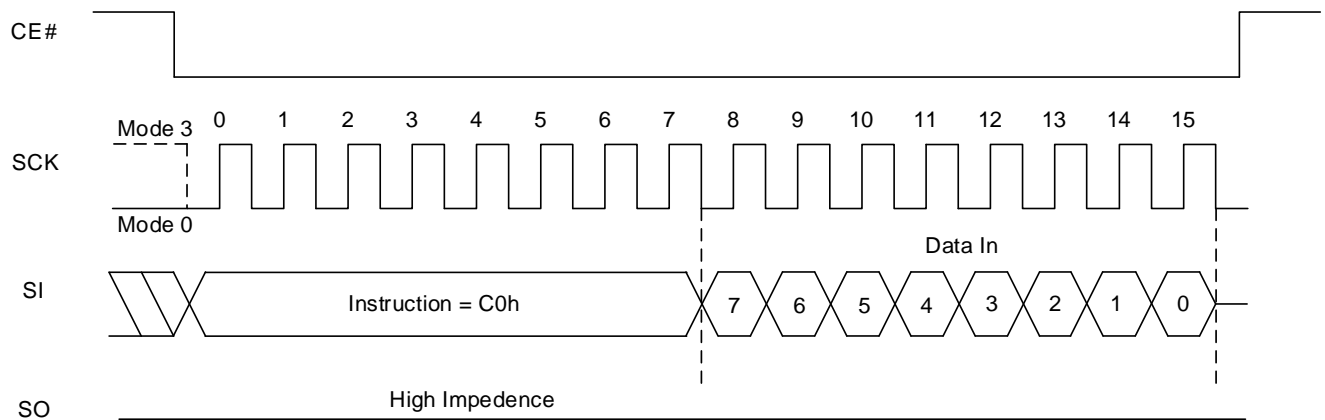
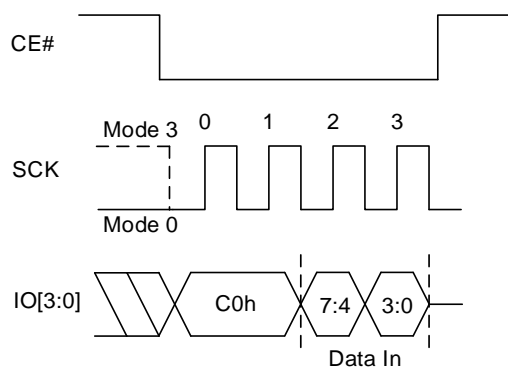
**Figure 8.39 Release Power Down QPI Sequence**



**8.24 SET READ PARAMETERS OPERATION (SRP, C0h)**
**Set Read Operational Driver Strength**

This device supports configurable Operational Driver Strengths in both SPI and QPI modes by setting three bits within the Read Register (ODS0, ODS1, ODS2). To set the ODS bits the SRP operation (C0h) instruction is required. The device's driver strength can be reduced as low as 12.50% of full drive strength. Details regarding the driver strength can be found in Table 6.11.

**Note: The default driver strength is set to 50%**

**Figure 8.40 Set Read Parameters Sequence**

**Figure 8.41 Set Read Parameters QPI Sequence**




**Read with “8/16/32/64-Byte Wrap Around”**

The device is capable of burst read with wrap around in both SPI and QPI mode. The size of burst length is configurable by using P0, P1, and P2 bits in Read Register. P2 bit (Wrap enable) enables the burst mode feature. P0 and P1 define the size of burst. Burst lengths of 8, 16, 32, and 64 bytes are supported. By default, address increases by one up through the entire array. By setting the burst length, the data being accessed can be limited to the length of burst boundary within a 256 byte page. The first output will be the data at the initial address which is specified in the instruction. Following data will come out from the next address within the burst boundary. Once the address reaches the end of boundary, it will automatically move to the first address of the boundary. CE# high will terminate the command.

For example, if burst length of 8 and initial address being applied is 0h, following byte output will be from address 00h and continue to 01h,...,07h, 00h, 01h... until CE# terminates the operation. If burst length of 8 and initial address being applied is FEh(254d), following byte output will be from address FEh and continue to FFh, F8h, F9h, FAh, FBh, FCh, FDh, and repeat from FEh until CE# terminates the operation.

The command, “SET READ PARAMETERS OPERATION (C0h)”, is used to configure the burst length. If the following data input is one of “00h”, “01h”, “02h”, and “03h”, the device will be in default operation mode. It will be continuous burst read of the whole array. If the following data input is one of “04h”, “05h”, “06h”, and “07h”, the device will set the burst length as 8, 16, 32 and 64 respectively.

To exit the burst mode, another “C0h” command is necessary to set P2 to 0. Otherwise, the burst mode will be retained until either power down or reset operation. To change burst length, another “C0h” command should be executed to set P0 and P1 (Detailed information in Table 6.8 Burst Length Data). All read commands operate in burst mode once the Read Register is set to enable burst mode.

Refer to Figures 8.40 and 8.41 for instruction sequence.

### 8.25 READ PRODUCT IDENTIFICATION (RDID, ABh)

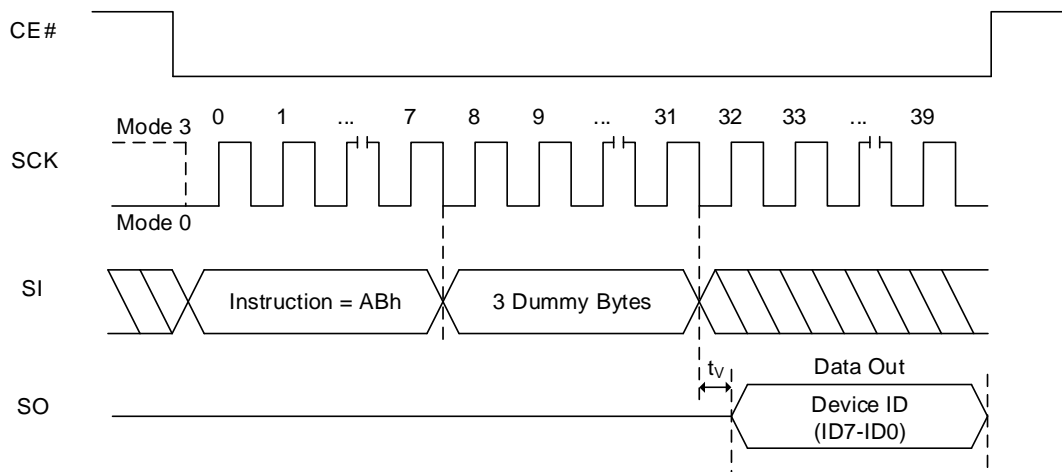
The Release from Power-down/Read Device ID instruction is a multi-purpose instruction. It can support both SPI and QPI modes. The Read Product Identification (RDID) instruction is for reading out the old style of 8-bit Electronic Signature, whose values are shown as table of Product Identification.

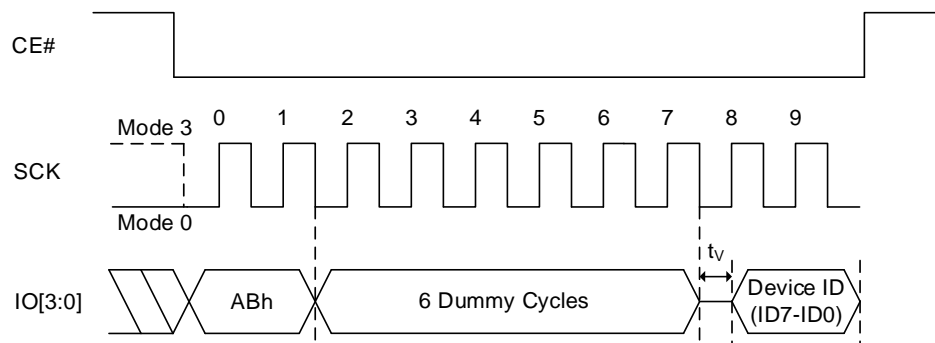
The RDID instruction code is followed by three dummy bytes, each bit being latched-in on SI during the rising SCK edge. Then the Device ID is shifted out on SO with the MSB first, each bit been shifted out during the falling edge of SCK. The RDID instruction is ended by driving CE# high. The Device ID (ID7-ID0) outputs repeatedly if additional clock cycles are continuously sent to SCK while CE# is at low.

**Table 8.4 Product Identification**

Manufacturer ID		(MF7-MF0)	
ISSI Serial Flash		9Dh	
Instruction	ABh	90h	9Fh
Device Density	Device ID (ID7-ID0)		Memory Type + Capacity (ID15-ID0)
32Mb	15h		6016h
64Mb	16h		6017h

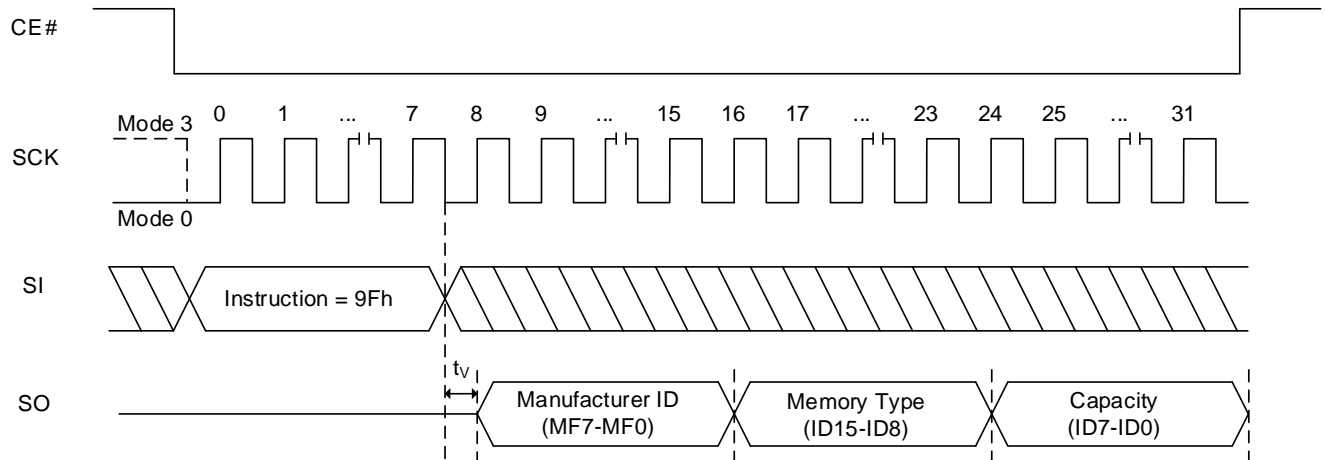
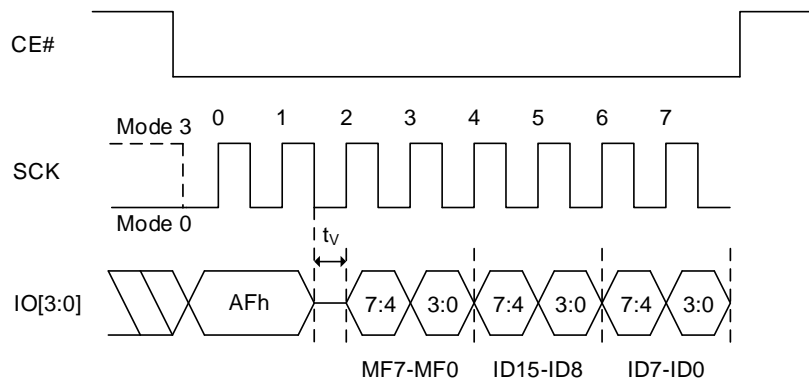
**Figure 8.42 Read Product Identification Sequence**



**Figure 8.43 Read Product Identification Sequence (QPI)**


**8.26 READ PRODUCT IDENTIFICATION BY JEDEC ID OPERATION (RDJDID, 9Fh; RDJDIDQ, AFh)**

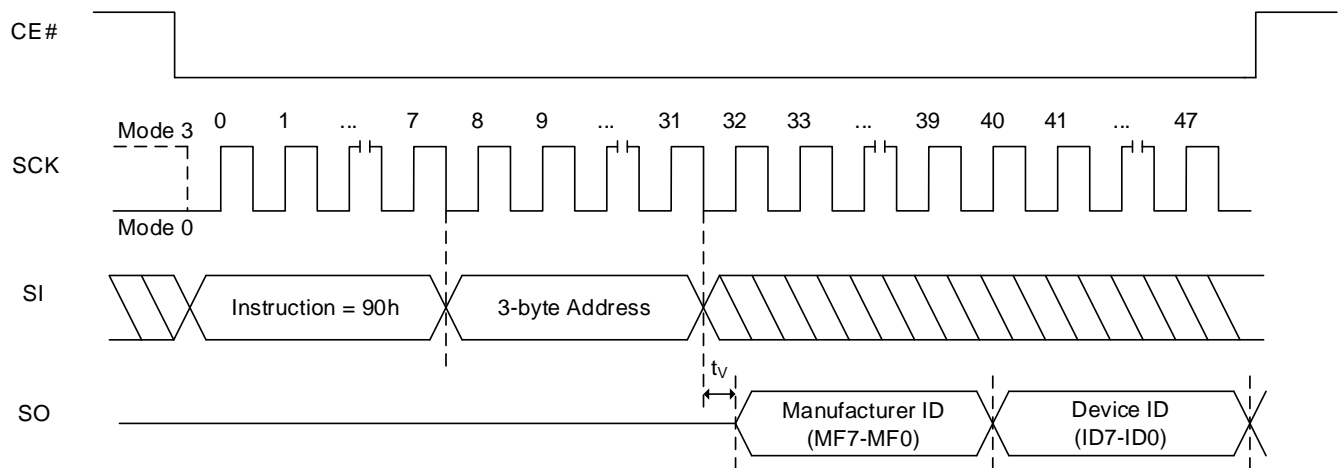
The JEDEC ID READ instruction allows the user to read the Manufacturer and product ID of devices. Refer to Table 8.4 Product Identification for Manufacturer ID and Device ID. After the JEDEC ID READ command (9Fh in SPI mode, AFh in QPI mode) is input, the Manufacturer ID is shifted out MSB first followed by the 2-byte electronic ID (ID15-ID0) that indicates Memory Type and Capacity, one bit at a time. Each bit is shifted out during the falling edge of SCK. If CE# stays low after the last bit of the 2-byte electronic ID, the Manufacturer ID and 2-byte electronic ID will loop until CE# is pulled high.

**Figure 8.44 Read Product Identification by JEDEC ID READ Sequence in SPI mode**

**Figure 8.45 RDJDIDQ (Read JEDEC ID in QPI Mode) Sequence**


### 8.27 READ DEVICE MANUFACTURER AND DEVICE ID OPERATION (RDMDID, 90h)

The Read Device Manufacturer and Device ID (RDMDID) instruction allows the user to read the Manufacturer and product ID of devices. Refer to Table 8.4 Product Identification for Manufacturer ID and Device ID. The RDMDID instruction code is followed by two dummy bytes and one byte address (A7~A0), each bit being latched-in on SI during the rising edge of SCK. If one byte address is initially set as A0 = 0, then the Manufacturer ID is shifted out on SO with the MSB first followed by the Device ID (ID7-ID0). Each bit is shifted out during the falling edge of SCK. If one byte address is initially set as A0 = 1, then Device ID will be read first followed by the Manufacturer ID. The Manufacturer and Device ID can be read continuously alternating between the two until CE# is driven high.

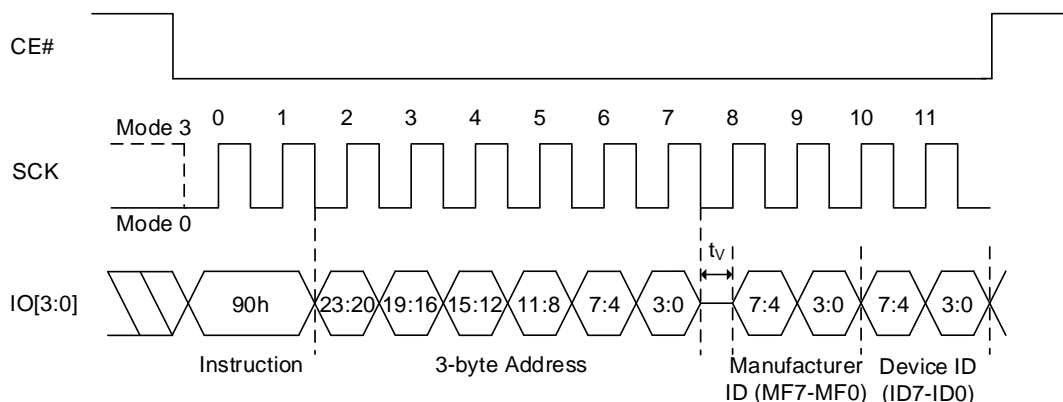
**Figure 8.46 Read Product Identification by RDMDID Read Sequence**



**Notes:**

1. ADDRESS A0 = 0, will output the 1-byte Manufacturer ID (MF7-MF0) → 1-byte Device ID (ID7-ID0)  
 ADDRESS A0 = 1, will output the 1-byte Device ID (ID7-ID0) → 1-byte Manufacturer ID (MF7-MF0)
2. The Manufacturer and Device ID can be read continuously and will alternate from one to the other until CE# pin is pulled high.

**Figure 8.47 Read Product Identification by RDMDID QPI Read Sequence**



**Notes:**

1. ADDRESS A0 = 0, will output the 1-byte Manufacturer ID (MF7-MF0) → 1-byte Device ID (ID7-ID0)  
 ADDRESS A0 = 1, will output the 1-byte Device ID (ID7-ID0) → 1-byte Manufacturer ID (MF7-MF0)
2. The Manufacturer and Device ID can be read continuously and will alternate from one to the other until CE# pin is pulled high.

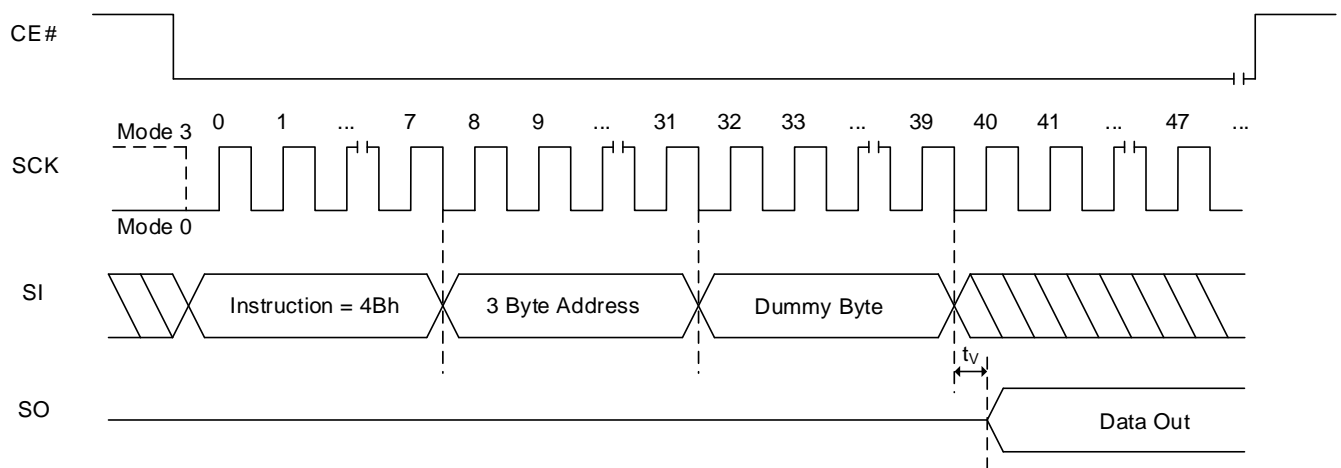
### 8.28 READ UNIQUE ID NUMBER (RDUID, 4Bh)

The Read Unique ID Number (RDUID) instruction accesses a factory-set read-only 16-byte number that is unique to the device. The ID number can be used in conjunction with user software methods to help prevent copying or cloning of a system. The RDUID instruction is instated by driving the CE# pin low and shifting the instruction code (4Bh) followed by 3 address bytes and a dummy byte. After which, the 16-byte ID is shifted out on the falling edge of SCK as shown below.

As a result, the sequence of RDUID instruction is same as FAST READ except for the instruction code. RDUID QPI sequence is also same as FAST READ QPI except for the instruction code. Refer to the FAST READ QPI operation.

**Note: 16 bytes of data will repeat as long as CE# is low and SCK is toggling.**

**Figure 8.48 RDUID Sequence**



**Table 8.5 Unique ID Addressing**

A[23:16]	A[15:9]	A[8:4]	A[3:0]
XXh	XXh	00h	0h Byte address
XXh	XXh	00h	1h Byte address
XXh	XXh	00h	2h Byte address
XXh	XXh	00h	⋮
XXh	XXh	00h	Fh Byte address

**Note: XX means “don’t care”.**

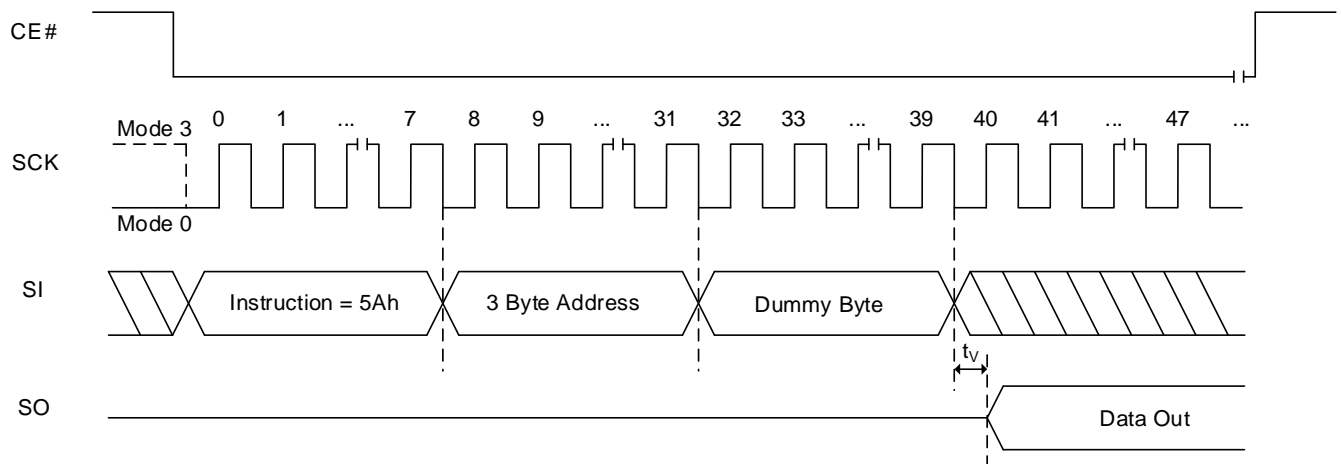
### 8.29 READ SFDP OPERATION (RDSFDP, 5Ah)

The Serial Flash Discoverable Parameters (SFDP) standard provides a consistent method of describing the functions and features of serial Flash devices in a standard set of internal parameter tables. These parameters can be interrogated by host system software to enable adjustments needed to accommodate divergent features from multiple vendors. For more details please refer to the JEDEC Standard JESD216A (Serial Flash Discoverable Parameters).

The sequence of issuing RDSFDP instruction is same as FAST\_READ: CE# goes low → Send RDSFDP instruction (5Ah) → Send 3 address bytes on SI pin → Send 1 dummy byte on SI pin → Read SFDP code on SO → End RDSFDP operation by driving CE# high at any time during data out. Refer to ISSI's Application note for SFDP table. The data at the addresses that are not specified in SFDP table are undefined.

The sequence of RDSFDP instruction is same as FAST\_READ except for the instruction code. RDSFDP QPI sequence is also same as FAST\_READ QPI except for the instruction code. Refer to the FAST\_READ QPI operation.

**Figure 8.49 RDSFDP (Read SFDP) Sequence**



### 8.30 NO OPERATION (NOP, 00h)

The No Operation command solely cancels a Reset Enable command and has no impact on any other commands. It is available in both SPI and QPI modes. To execute a NOP, the host drives CE# low, sends the NOP command cycle (00h), then drives CE# high.

### 8.31 SOFTWARE RESET (RESET-ENABLE (RSTEN, 66h) AND RESET (RST, 99h)) AND HARDWARE RESET

The Software Reset operation is used as a system reset that puts the device in normal operating mode. During the Reset operation, the value of volatile registers will default back to the value in the corresponding non-volatile register. This operation consists of two commands: Reset-Enable (RSTEN) and Reset (RST). The operation requires the Reset-Enable command followed by the Reset command. Any command other than the Reset command after the Reset-Enable command will disable the Reset-Enable.

Execute the CE# pin low → sends the Reset-Enable command (66h), and drives CE# high. Next, the host drives CE# low again, sends the Reset command (99h), and pulls CE# high.

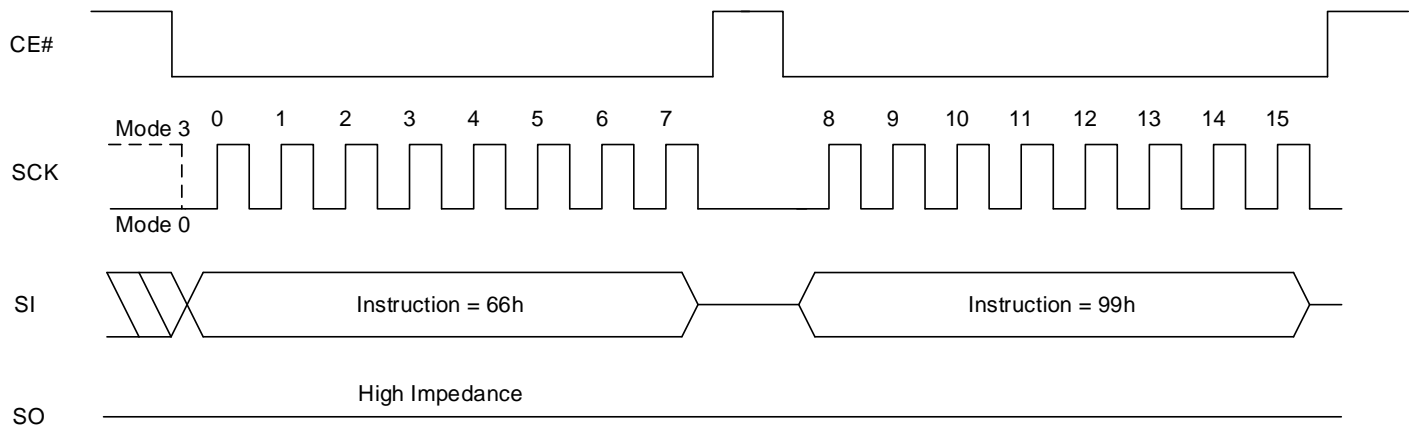
Only for the dedicated parts that have the RESET# pin, Hardware Reset function is available. For all other packages with RESET# pin option except 16-pin SOIC 300mil with additional RESET# pin option, the RESET# pin will be solely applicable in SPI mode and when the QE bit is disabled. For 16-pin SOIC 300mil package with additional RESET# pin option, the RESET# pin is always applicable regardless of the QE bit value. The RESET# pin has the highest priority among all the input signals and will reset the device to its initial power-on state regardless of the state of all other pins (CE#, IOs, SCK, and WP#).

In order to activate Hardware Reset, the RESET# pin must be driven low for a minimum period of  $t_{\text{RESET}}$  (1 $\mu$ s). Drive RESET# low for a minimum period of  $t_{\text{RESET}}$  will interrupt any on-going internal and external operations, release the device from deep power down mode<sup>1</sup>, disable all input signals, force the output pin enter a state of high impedance, and reset all the read parameters. If the RESET# pulse is driven for a period shorter than 1 $\mu$ s, it may still reset the device, however the 1 $\mu$ s minimum period is recommended to ensure the reliable operation. The required wait time after activating a HW Reset before the device will accept another instruction ( $t_{\text{HWRST}}$ ) is the same as the maximum value of  $t_{\text{SUS}}$  (100 $\mu$ s).

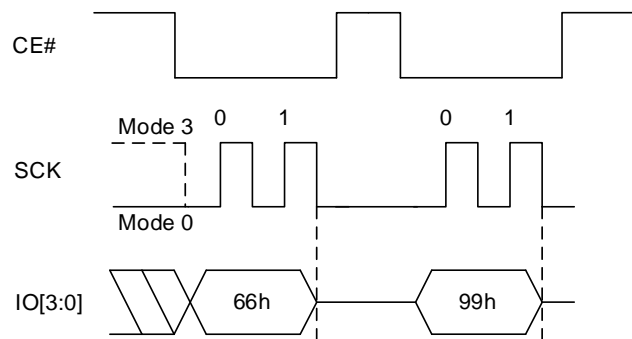
The Software/Hardware Reset during an active Program or Erase operation aborts the operation, which can result in corrupting or losing the data of the targeted address range. Depending on the prior operation, the reset timing may vary. Recovery from a Write operation will require more latency than recovery from other operations.

**Note 1: The Status and Function Registers remain unaffected.**

**Figure 8.50 Software Reset Enable and Software Reset Sequence (RSTEN, 66h + RST, 99h)**





**Figure 8.51 Software Reset Enable and Software Reset QPI Sequence (RSTEN, 66h + RST, 99h)**


### 8.32 SECURITY INFORMATION ROW

The security Information Row is comprised of an additional 4 x 256 bytes of programmable information. The security bits can be reprogrammed by the user. Any program security instruction issued while an erase, program or write cycle is in progress is rejected without having any effect on the cycle that is in progress.

**Table 8.6 Information Row Valid Address Range**

Address Assignment	A[23:16]	A[15:8]	A[7:0]
IRL0 (Information Row Lock0)	00h	00h	Byte address
IRL1	00h	10h	Byte address
IRL2	00h	20h	Byte address
IRL3	00h	30h	Byte address

Bit 7~4 of the Function Register is used to permanently lock the programmable memory array.

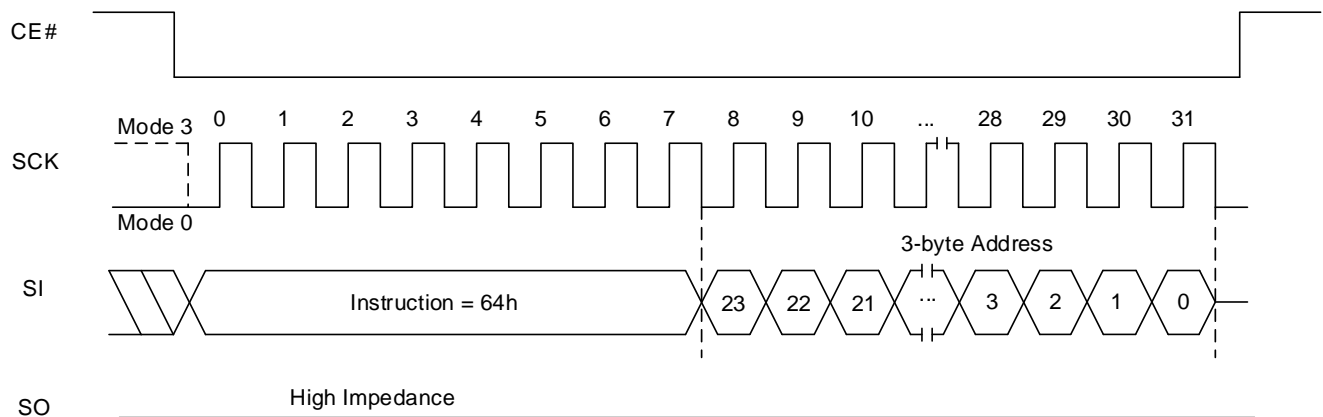
When Function Register bit IRLx = "0", the 256 bytes of the programmable memory array can be programmed. When Function Register bit IRLx = "1", the 256 bytes of the programmable memory array function as read only.

### 8.33 INFORMATION ROW ERASE OPERATION (IRER, 64h)

Information Row Erase (IRER) instruction erases the data in the Information Row x (x: 0~3) array. Prior to the operation, the Write Enable Latch (WEL) must be set via a Write Enable (WREN) instruction. The WEL bit is automatically reset after the completion of the operation.

The sequence of IRER operation: Pull CE# low to select the device → Send IRER instruction code → Send three address bytes → Pull CE# high. CE# should remain low during the entire instruction sequence. Once CE# is pulled high, Erase operation will begin immediately. The internal control logic automatically handles the erase voltage and timing. Refer to Figure 8.49 for IRER Sequence.

**Figure 8.52 IRER (Information Row Erase) Sequence**



### 8.34 INFORMATION ROW PROGRAM OPERATION (IRP, 62h)

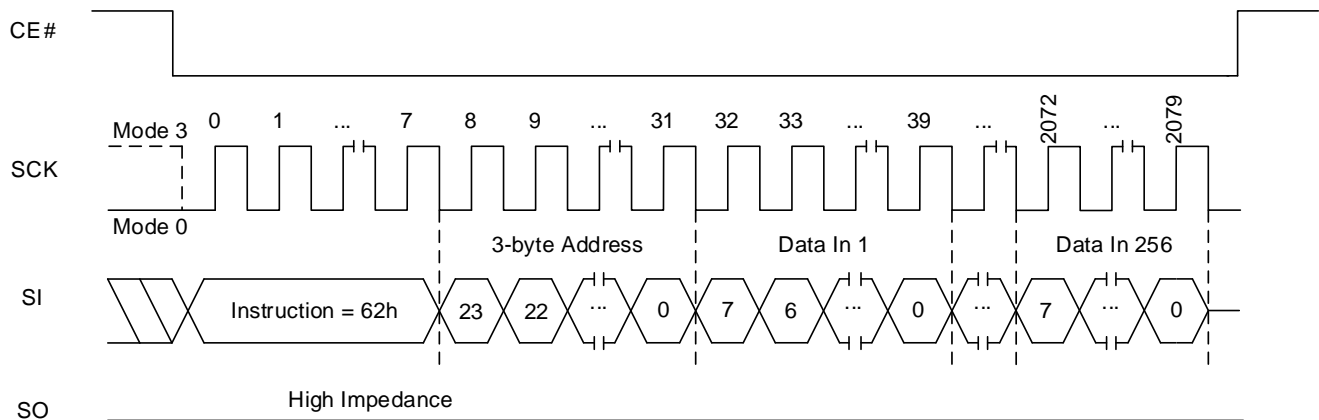
The Information Row Program (IRP) instruction allows up to 256 bytes data to be programmed into the memory in a single operation. Before the execution of IRP instruction, the Write Enable Latch (WEL) must be enabled through a Write Enable (WREN) instruction.

The IRP instruction code, three address bytes and program data (1 to 256 bytes) should be sequentially input. Three address bytes has to be input as specified in the Table 8.6 Information Row Valid Address Range. Program operation will start once the CE# goes high, otherwise the IRP instruction will not be executed. The internal control logic automatically handles the programming voltages and timing. During a program operation, all instructions will be ignored except the RDSR instruction. The progress or completion of the program operation can be determined by reading the WIP bit in Status Register via a RDSR instruction. If the WIP bit is “1”, the program operation is still in progress. If WIP bit is “0”, the program operation has completed.

If more than 256 bytes data are sent to a device, the address counter rolls over within the same page. The previously latched data are discarded and the last 256 bytes data are kept to be programmed into the page. The starting byte can be anywhere within the page. When the end of the page is reached, the address will wrap around to the beginning of the same page. If the data to be programmed are less than a full page, the data of all other bytes on the same page will remain unchanged.

**Note: A program operation can alter “1”s into “0”s, but an erase operation is required to change “0”s back to “1”s. A byte cannot be reprogrammed without first erasing the corresponding Information Row array which is one of IR0~3.**

**Figure 8.53 IRP (Information Row Program) Sequence**



### 8.35 INFORMATION ROW READ OPERATION (IRRD, 68h)

The IRRD instruction is used to read memory data at up to a 133MHz clock.

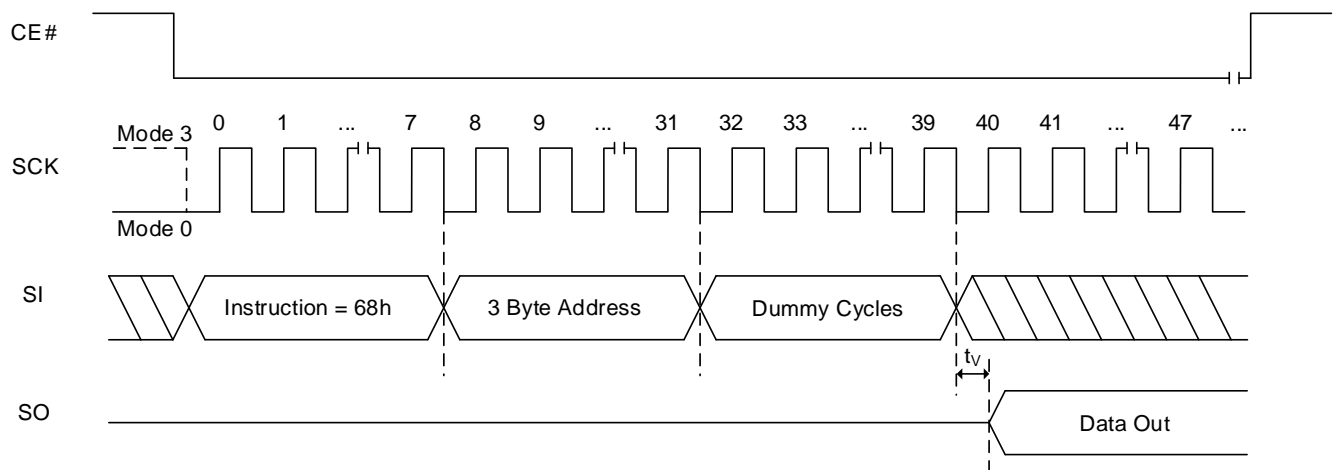
The IRRD instruction code is followed by three address bytes (A23 - A0) and a dummy byte, transmitted via the SI line, with each bit latched-in during the rising edge of SCK. Then the first data byte addressed is shifted out on the SO line, with each bit shifted out at a maximum frequency  $f_{CT}$ , during the falling edge of SCK.

The address is automatically incremented by one after each byte of data is shifted out. Once the address reaches the last address of each 256 byte Information Row, the next address will not be valid and the data of the address will be garbage data. It is recommended to repeat four times IRRD operation that reads 256 byte with a valid starting address of each Information Row in order to read all data in the 4 x 256 byte Information Row array. The IRRD instruction is terminated by driving CE# high (VIH).

If an IRRD instruction is issued while an Erase, Program or Write cycle is in process (WIP=1) the instruction is ignored and will not have any effects on the current cycle.

The sequence of IRRD instruction is same as FAST READ except for the instruction code. IRRD QPI sequence is also same as FAST READ QPI except for the instruction code. Refer to the FAST READ QPI operation.

**Figure 8.54 IRRD (Information Row Read) Sequence**



### 8.36 FAST READ DTR MODE OPERATION (FRDTR, 0Dh)

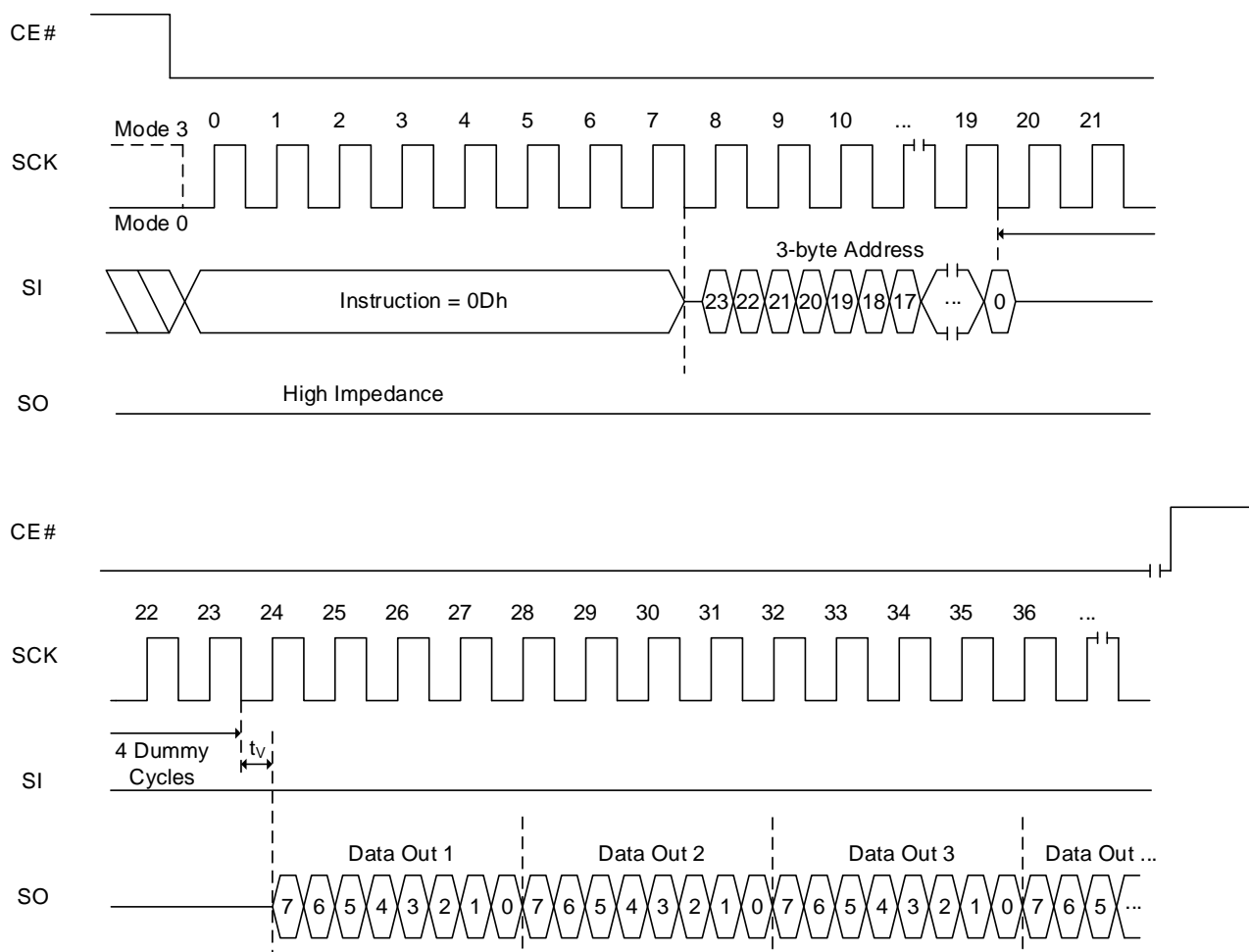
The FRDTR instruction is for doubling the data in and out. Signals are triggered on both rising and falling edge of clock. The address is latched on both rising and falling edge of SCK, and data of each bit shifts out on both rising and falling edge of SCK at a maximum frequency  $f_{C2}$ . The 2-bit address can be latched-in at one clock, and 2-bit data can be read out at one clock, which means one bit at the rising edge of clock, the other bit at the falling edge of clock.

The first address byte can be at any location. The address is automatically increased to the next higher address after each byte of data is shifted out, so the whole memory can be read out in a single FRDTR instruction. The address counter rolls over to 0 when the highest address is reached.

The sequence of issuing FRDTR instruction is: CE# goes low → Sending FRDTR instruction code (1bit per clock) → 3-byte address on SI (2-bit per clock) → 4 dummy clocks on SI → Data out on SO (2-bit per clock) → End FRDTR operation via driving CE# high at any time during data out.

While a Program/Erase/Write Status Register cycle is in progress, FRDTR instruction will be rejected without any effect on the current cycle.

**Figure 8.55 FRDTR Sequence**

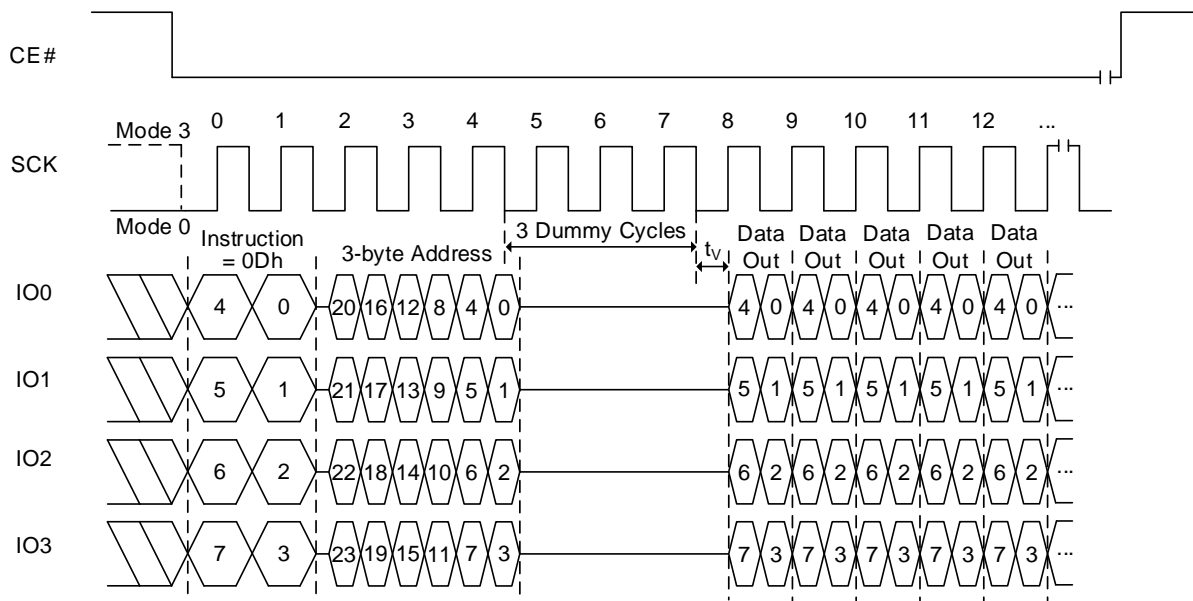


**FAST READ DTR QPI MODE OPERATION (FRDTR QPI, 0Dh)**

The FRDTR QPI instruction utilizes all four IO lines to input the instruction code so that only two clocks are required, while the FRDTR instruction requires that the byte-long instruction code is shifted into the device only via IO0 line in eight clocks. In addition, subsequent address and data out are shifted in/out via all four IO lines unlike the FRDTR instruction. Eventually this operation is same as the FRQDTR QPI, but the only different thing is that AX mode is not available in the FRDTR QPI operation. A Quad Enable (QE) bit of Status Register must be set to "1" before sending the FRDTR QPI instruction.

The sequence of issuing FRDTR QPI instruction is: CE# goes low → Sending FRDTR QPI instruction (4-bit per clock) → 24-bit address interleave on IO3, IO2, IO1 & IO0 (8-bit per clock) → 3 dummy clocks (configurable, default is 3 clocks) → Data out interleave on IO3, IO2, IO1 & IO0 (8-bit per clock) → End FRDTR QPI operation by driving CE# high at any time during data out.

If the FRDTR QPI instruction is issued while a Program/Erase/Write Status Register cycle is in progress (WIP=1), the instruction will be rejected without any effect on the current cycle.

**Figure 8.56 FRDTR QPI Sequence**

**Notes:**

1. Number of dummy cycles depends on clock speed. Detailed information in Table 6.10 Read Dummy Cycles.
2. Sufficient dummy cycles are required to avoid I/O contention.

### **8.37 FAST READ DUAL IO DTR MODE OPERATION (FRDDTR, BDh)**

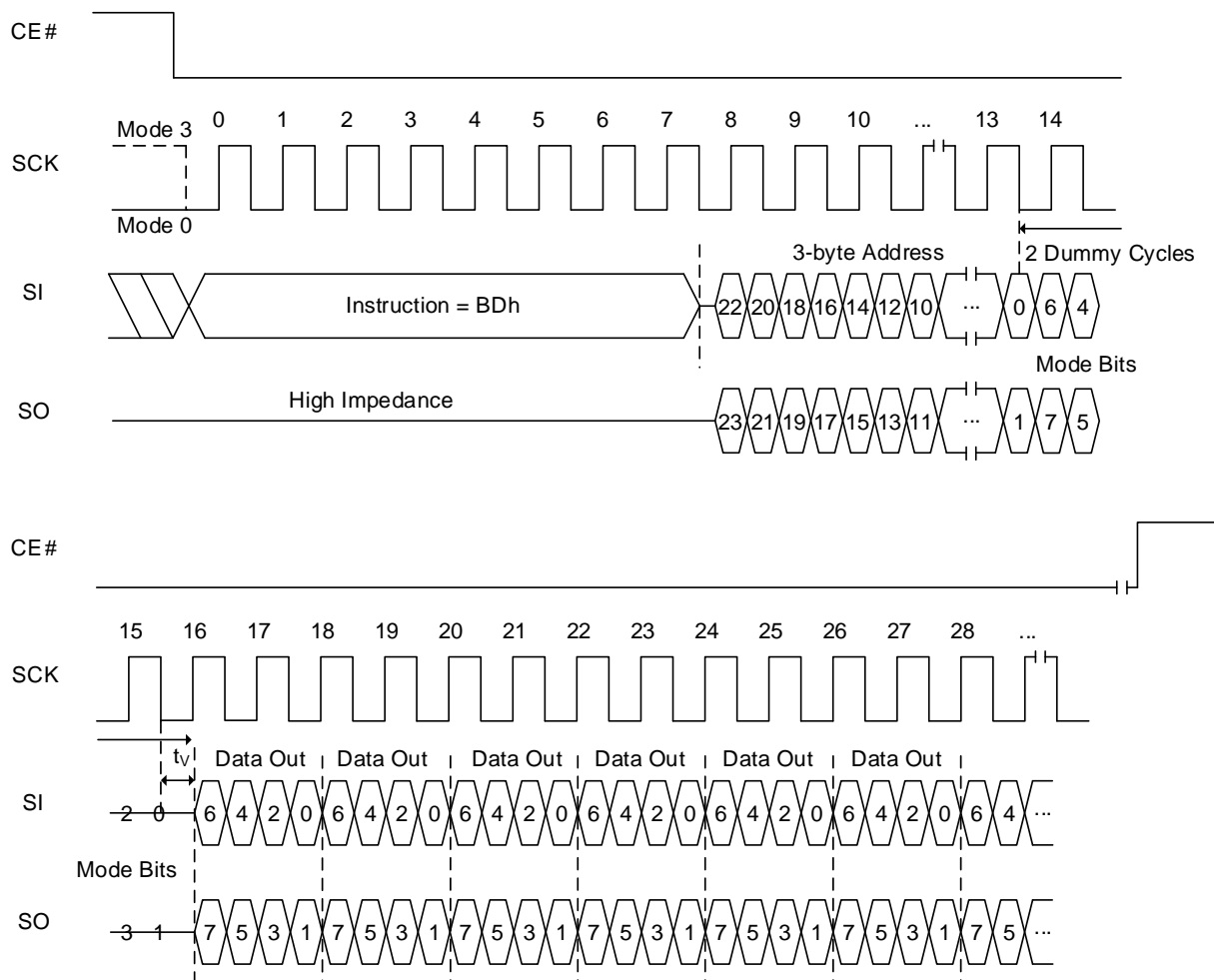
The FRDDTR instruction enables Double Transfer Rate throughput on dual I/O of the device in read mode. The address (interleave on dual I/O pins) is latched on both rising and falling edge of SCK, and the data (interleave on dual I/O pins) shift out on both rising and falling edge of SCK at a maximum frequency  $f_{T2}$ . The 4-bit address can be latched-in at one clock, and 4-bit data can be read out at one clock, which means two bits at the rising edge of clock, the other two bits at the falling edge of clock.

The first address byte can be at any location. The address is automatically increased to the next higher address after each byte of data is shifted out, so the whole memory can be read out with a single FRDDTR instruction. The address counter rolls over to 0 when the highest address is reached. Once writing FRDDTR instruction, the following address/dummy/data out will perform as 4-bit instead of previous 1-bit.

The sequence of issuing FRDDTR instruction is: CE# goes low → Sending FRDDTR instruction (1-bit per clock) → 24-bit address interleave on IO1 & IO0 (4-bit per clock) → 2 dummy clocks (configurable default is 2 clocks) on IO1 & IO0 → Data out interleave on IO1 & IO0 (4-bit per clock) → End FRDDTR operation via pulling CE# high at any time during data out (Please refer to Figure 8.57 for 2 x I/O Double Transfer Rate Read Mode Timing Waveform).

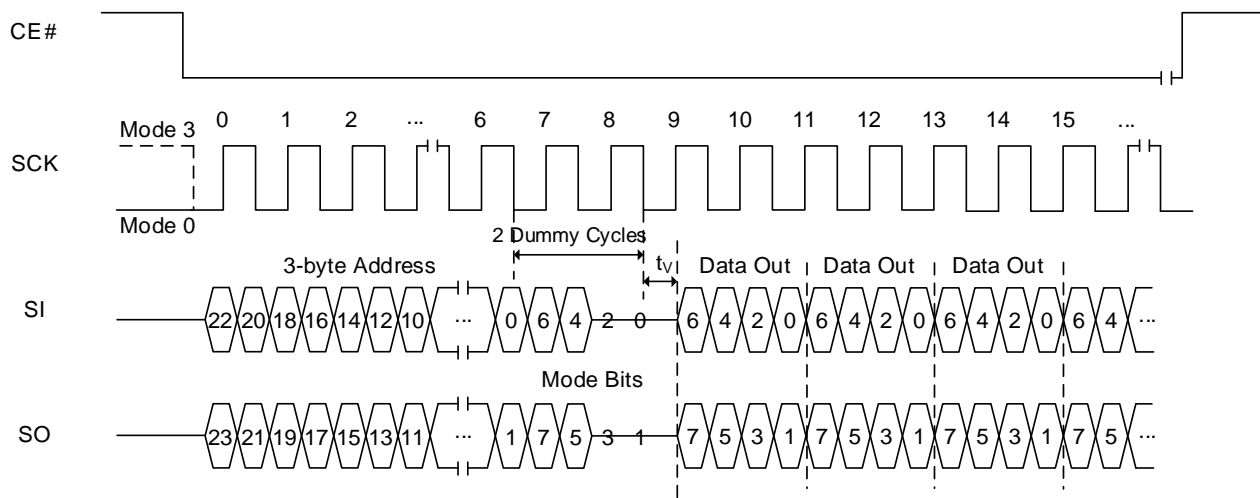
If AXh (where X is don't care) is input for the mode bits during dummy cycles, the device will enter AX read operation mode which enables subsequent FRDDTR execution skips command code. It saves cycles as described in Figure 8.58. When the code is different from AXh, the device exits the AX read operation. After finishing the read operation, device becomes ready to receive a new command. Since the number of dummy cycles and AX bit cycles are same in this case, X should be Hi-Z to avoid I/O contention.

If the FRDDTR instruction is issued while a Program/Erase/Write Status Register cycle is in progress (WIP=1), the instruction will be rejected without any effect on the current cycle.

**Figure 8.57 FRDDTR Sequence (with command decode cycles)**

**Notes:**

1. If the mode bits=AXh (where X is don't care), it can execute the AX read mode (without command). When the mode bits are different from AXh, the device exits the AX read operation.
2. Number of dummy cycles depends on clock speed. Detailed information in Table 6.10 Read Dummy Cycles.
3. Since the number of dummy cycles and AX bit cycles are same in the above Figure, X should be Hi-Z to avoid I/O contention.



**Figure 8.58 FRDDTR AX Read Sequence (without command decode cycles)**

**Notes:**

1. If the mode bits=AXh (where X is don't care), it will keep executing the AX read mode (without command). When the mode bits are different from AXh, the device exits the AX read operation.
2. Number of dummy cycles depends on clock speed. Detailed information in Table 6.10 Read Dummy Cycles.
3. Since the number of dummy cycles and AX bit cycles are same in the above Figure, X should be Hi-Z to avoid I/O contention.

### **8.38 FAST READ QUAD IO DTR MODE OPERATION (FRQDTR, EDh)**

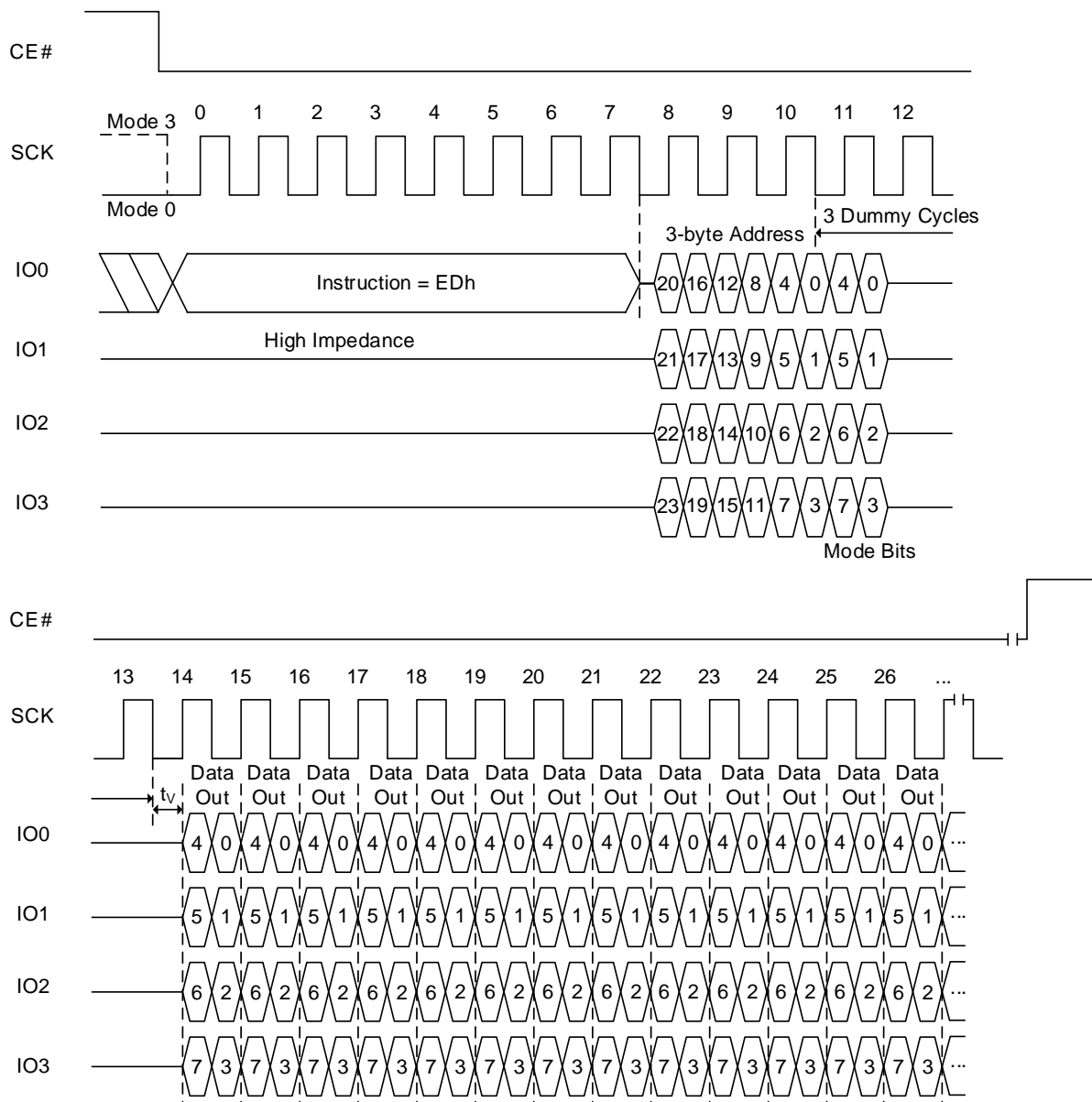
The FRQDTR instruction enables Double Transfer Rate throughput on quad I/O of the device in read mode. A Quad Enable (QE) bit of Status Register must be set to "1" before sending the FRQDTR instruction. The address (interleave on 4 I/O pins) is latched on both rising and falling edge of SCK, and data (interleave on 4 I/O pins) shift out on both rising and falling edge of SCK at a maximum frequency  $f_{Q2}$ . The 8-bit address can be latched-in at one clock, and 8-bit data can be read out at one clock, which means four bits at the rising edge of clock, the other four bits at the falling edge of clock.

The first address byte can be at any location. The address is automatically increased to the next higher address after each byte data is shifted out, so the whole memory can be read out with a single FRQDTR instruction. The address counter rolls over to 0 when the highest address is reached. Once writing FRQDTR instruction, the following address/dummy/data out will perform as 8-bit instead of previous 1-bit.

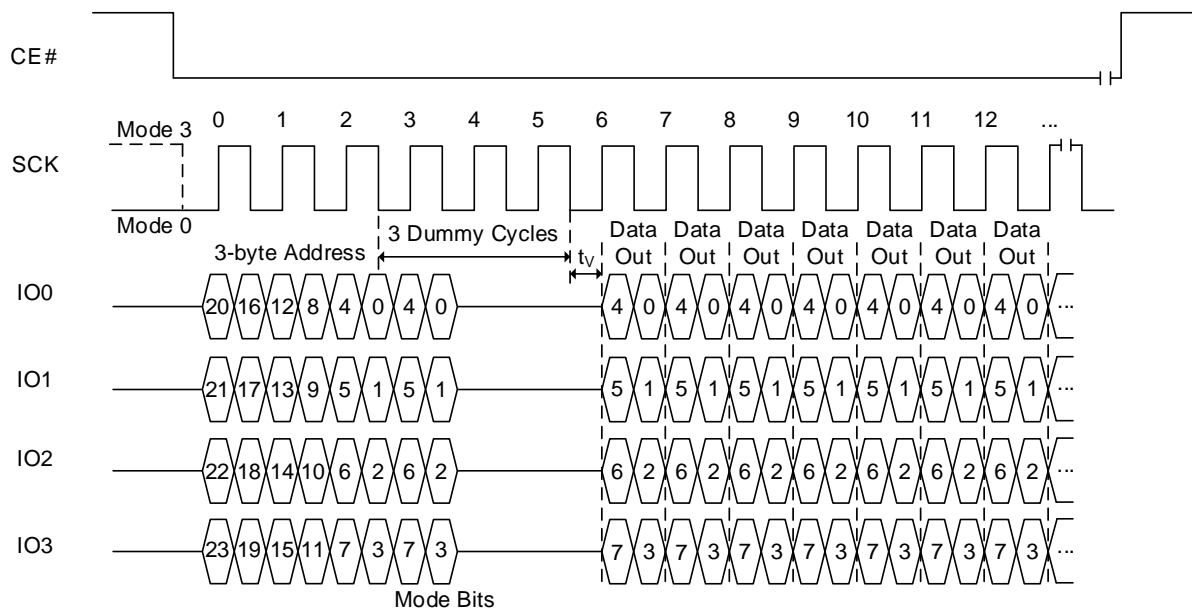
The sequence of issuing FRQDTR instruction is: CE# goes low → Sending FRQDTR instruction (1-bit per clock) → 24-bit address interleave on IO3, IO2, IO1 & IO0 (8-bit per clock) → 3 dummy clocks (configurable, default is 3 clocks) → Data out interleave on IO3, IO2, IO1 & IO0 (8-bit per clock) → End FRQDTR operation by driving CE# high at any time during data out.

If AXh (where X is don't care) is input for the mode bits during dummy cycles, the device will enter AX read operation mode which enables subsequent FRQDTR execution skips command code. It saves cycles as described in Figure 8.60. When the code is different from AXh, the device exits the AX read operation. After finishing the read operation, device becomes ready to receive a new command.

If the FRQDTR instruction is issued while a Program/Erase/Write Status Register cycle is in progress (WIP=1), the instruction will be rejected without any effect on the current cycle.

**Figure 8.59 FRQDTR Sequence (with command decode cycles)**

**Notes:**

1. If the mode bits=AXh (where X is don't care), it can execute the AX read mode (without command). When the mode bits are different from AXh, the device exits the AX read operation.
2. Number of dummy cycles depends on clock speed. Detailed information in Table 6.10 Read Dummy Cycles.
3. Sufficient dummy cycles are required to avoid I/O contention. If the number of dummy cycles and AX bit cycles are same, then X should be Hi-Z.

**Figure 8.60 FRQDTR AX Read Sequence (without command decode cycles)**

**Notes:**

1. If the mode bits=AXh (where X is don't care), it will keep executing the AX read mode (without command). When the mode bits are different from AXh, the device exits the AX read operation.
2. Number of dummy cycles depends on clock speed. Detailed information in Table 6.10 Read Dummy Cycles.
3. Sufficient dummy cycles are required to avoid I/O contention. If the number of dummy cycles and AX bit cycles are same, then X should be Hi-Z.

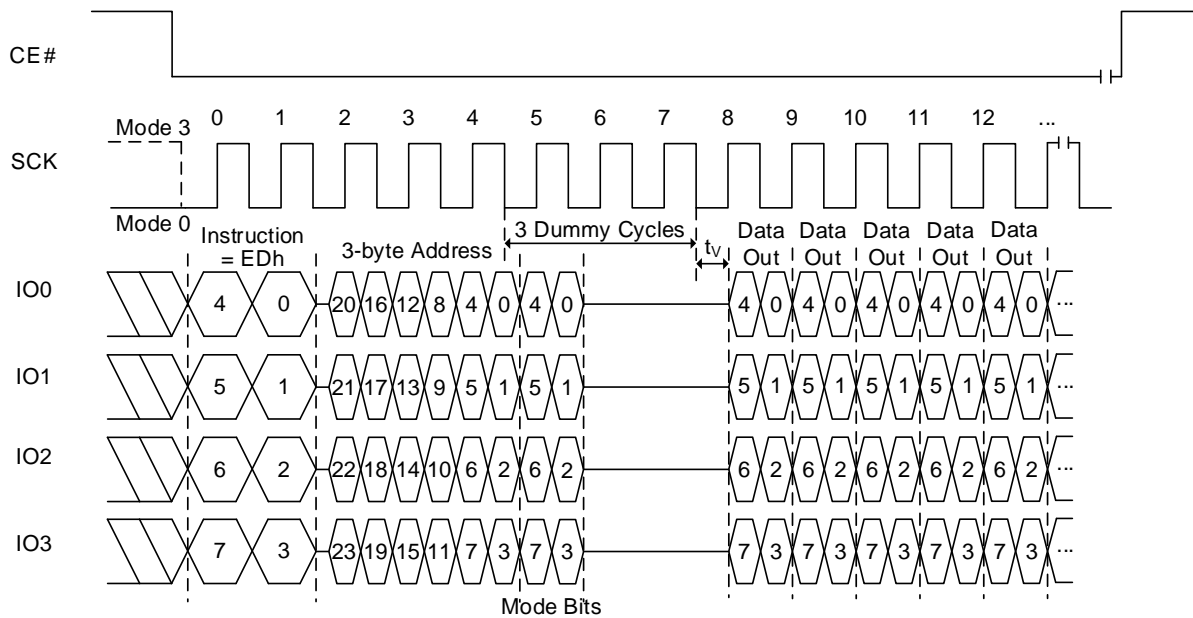
**FAST READ QUAD IO DTR QPI MODE OPERATION (FRQDTR QPI, EDh)**

The FRQDTR QPI instruction utilizes all four IO lines to input the instruction code so that only two clocks are required, while the FRQDTR instruction requires that the byte-long instruction code is shifted into the device only via IO0 line in eight clocks. As a result, 6 command cycles will be reduced by the FRQDTR QPI instruction. In addition, subsequent address and data out are shifted in/out via all four IO lines like the FRQDTR instruction. In fact, except for the command cycle, the FRQDTR QPI operation is exactly same as the FRQDTR. A Quad Enable (QE) bit of Status Register must be set to "1" before sending the FRQDTR QPI instruction.

The sequence of issuing FRQDTR QPI instruction is: CE# goes low → Sending FRQDTR QPI instruction (4-bit per clock) → 24-bit address interleave on IO3, IO2, IO1 & IO0 (8-bit per clock) → 3 dummy clocks (configurable, default is 3 clocks) → Data out interleave on IO3, IO2, IO1 & IO0 (8-bit per clock) → End FRQDTR QPI operation by driving CE# high at any time during data out.

If AXh (where X is don't care) is input for the mode bits during dummy cycles, the device will enter AX read operation mode which enables subsequent FRQDTR QPI execution skips command code. It saves cycles as described in Figure 8.60. When the code is different from AXh, the device exits the AX read operation. After finishing the read operation, device becomes ready to receive a new command.

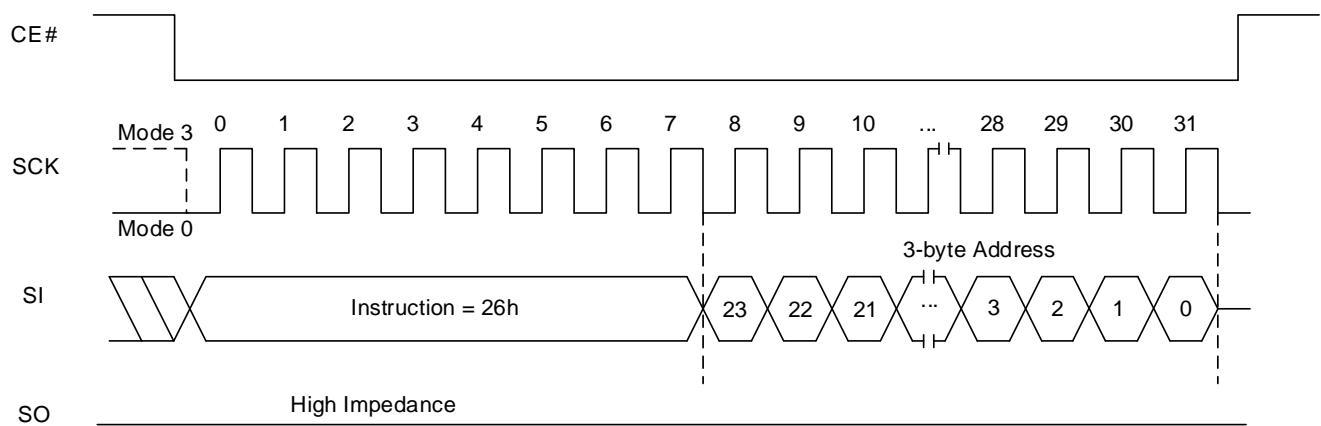
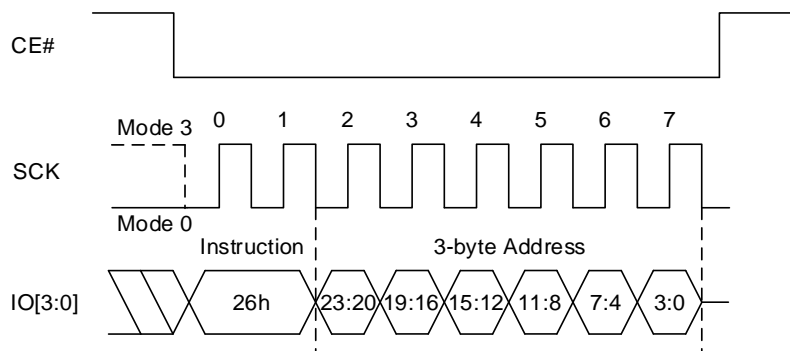
If the FRQDTR QPI instruction is issued while a Program/Erase/Write Status Register cycle is in progress (WIP=1), the instruction will be rejected without any effect on the current cycle.

**Figure 8.61 FRQDTR QPI Sequence (with command decode cycles)**

**Notes:**

1. If the mode bits=AXh (where X is don't care), it can execute the AX read mode (without command). When the mode bits are different from AXh, the device exits the AX read operation.
2. Number of dummy cycles depends on clock speed. Detailed information in Table 6.10 Read Dummy Cycles.
3. Sufficient dummy cycles are required to avoid I/O contention. If the number of dummy cycles and AX bit cycles are same, then X should be Hi-Z.

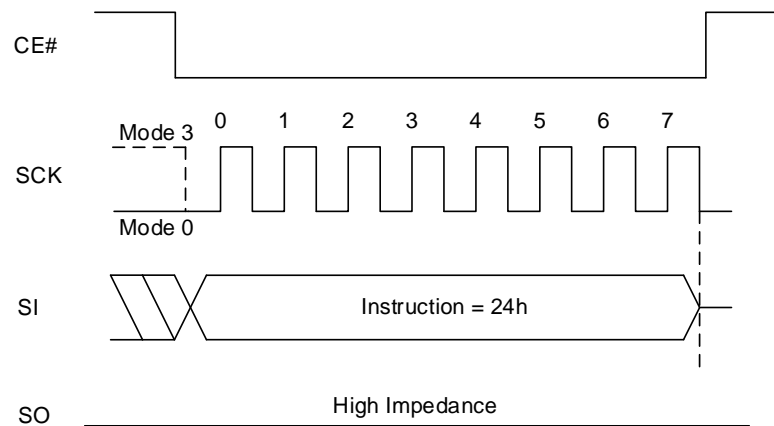
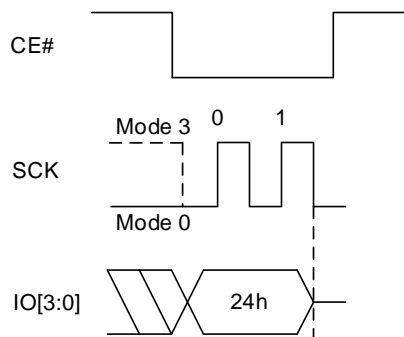
**8.39 SECTOR LOCK/UNLOCK FUNCTIONS**
**SECTOR UNLOCK OPERATION (SECUNLOCK, 26h)**

The Sector Unlock command allows the user to select a specific sector to allow program and erase operations. This instruction is effective when the blocks are designated as write-protected through the BP0, BP1, BP2, and BP3 bits in the Status Register. Only one sector can be enabled at any time. To enable a different sector, a previously enabled sector must be disabled by executing a Sector Lock command. The instruction code is followed by a 24-bit address specifying the target sector, but A0 through A11 are not decoded. The remaining sectors within the same block remain as read-only.

**Figure 8.62 Sector Unlock Sequence**

**Figure 8.63 Sector Unlock QPI Sequence**


**SECTOR LOCK OPERATION (SECLOCK, 24h)**

The Sector Lock command relocks a sector that was previously unlocked by the Sector Unlock command. The instruction code does not require an address to be specified, as only one sector can be enabled at a time. The remaining sectors within the same block remain in read-only mode.

**Figure 8.64 Sector Lock Sequence**

**Figure 8.65 Sector Lock QPI Sequence**


## 9. ELECTRICAL CHARACTERISTICS

### 9.1 ABSOLUTE MAXIMUM RATINGS <sup>(1)</sup>

Storage Temperature		-65°C to +150°C
Surface Mount Lead Soldering Temperature	Standard Package	240°C 3 Seconds
	Lead-free Package	260°C 3 Seconds
Input Voltage with Respect to Ground on All Pins		-0.5V to $V_{CC} + 0.5V$
All Output Voltage with Respect to Ground		-0.5V to $V_{CC} + 0.5V$
$V_{CC}$		-0.5V to +6.0V

**Note:**

1. Applied conditions greater than those listed in “Absolute Maximum Ratings” may cause permanent damage to the device. This is a stress rating only and functional operation of the device at these or any other conditions above those indicated in the operational sections of this specification is not implied. Exposure to absolute maximum rating conditions for extended periods may affect reliability.

### 9.2 OPERATING RANGE

Part Number	IS25LP064/032A/B
Operating Temperature (Extended Grade E)	-40°C to 105°C
Operating Temperature (Extended+ Grade E1)	-40°C to 125°C
Operating Temperature (Automotive Grade A1)	-40°C to 85°C
Operating Temperature (Automotive Grade A2)	-40°C to 105°C
Operating Temperature (Automotive Grade A3)	-40°C to 125°C
$V_{CC}$ Power Supply	2.3V (V <sub>MIN</sub> ) – 3.6V (V <sub>MAX</sub> ); 3.0V (Typ)



**9.3 DC CHARACTERISTICS**

(Under operating range)

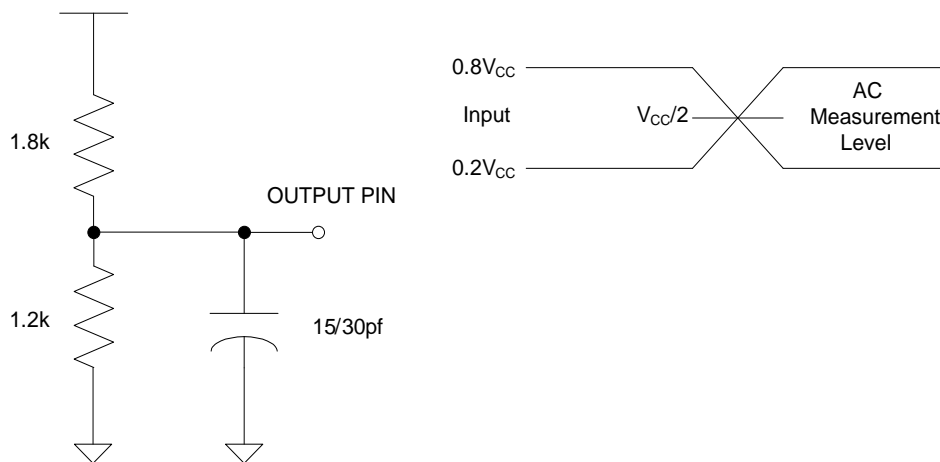
Symbol	Parameter	Condition	Min	Typ <sup>(2)</sup>	Max	Units
I <sub>CC1</sub>	V <sub>CC</sub> Active Read current <sup>(3)</sup>	NORD at 50MHz,		4	9	mA
		FRD Single at 133MHz		6	8	
		FRD Dual at 133MHz		8	10	
		FRD Quad at 133MHz		10	13	
		FRD Quad at 84MHz		8	10	
		FRD Quad at 104MHz		9	11	
		FRD Single DDR at 66MHz		6	8	
		FRD Dual DDR at 66MHz		8	10	
		FRD Quad DDR at 66MHz		10	13	
I <sub>CC2</sub>	V <sub>CC</sub> Program Current	CE# = V <sub>CC</sub>		25	30	mA
I <sub>CC3</sub>	V <sub>CC</sub> WRSR Current	CE# = V <sub>CC</sub>		25	30	
I <sub>CC4</sub>	V <sub>CC</sub> Erase Current (4K/32K/64K)	CE# = V <sub>CC</sub>		25	30	
I <sub>CC5</sub>	V <sub>CC</sub> Erase Current (CE)	CE# = V <sub>CC</sub>		25	30	
I <sub>SB1</sub>	V <sub>CC</sub> Standby Current CMOS	CE# = V <sub>CC</sub> , CE#, RESET# <sup>(4)</sup> = V <sub>CC</sub>		10	50	
I <sub>SB2</sub>	Deep power down current	CE# = V <sub>CC</sub> , CE#, RESET# <sup>(4)</sup> = V <sub>CC</sub>		5	20	μA
I <sub>LI</sub>	Input Leakage Current	V <sub>IN</sub> = 0V to V <sub>CC</sub>			±1 <sup>(5)</sup>	μA
I <sub>LO</sub>	Output Leakage Current	V <sub>IN</sub> = 0V to V <sub>CC</sub>			±1 <sup>(5)</sup>	μA
V <sub>IL</sub> <sup>(1)</sup>	Input Low Voltage		-0.5		0.3V <sub>CC</sub>	V
V <sub>IH</sub> <sup>(1)</sup>	Input High Voltage		0.7V <sub>CC</sub>		V <sub>CC</sub> + 0.3	V
V <sub>OL</sub>	Output Low Voltage	I <sub>OL</sub> = 100 μA			0.2	V
V <sub>OH</sub>	Output High Voltage	I <sub>OH</sub> = -100 μA	V <sub>CC</sub> - 0.2			V

**Notes:**

- Maximum DC voltage on input or I/O pins is V<sub>CC</sub> + 0.5V. During voltage transitions, input or I/O pins may overshoot V<sub>CC</sub> by +2.0V for a period of time not to exceed 20ns. Minimum DC voltage on input or I/O pins is -0.5V. During voltage transitions, input or I/O pins may undershoot GND by -2.0V for a period of time not to exceed 20ns.
- Typical values are included for reference only and are not guaranteed or tested. Typical values are measured at V<sub>CC</sub> = V<sub>CC</sub> (Typ), TA=25°C.
- Outputs are unconnected during reading data so that output switching current is not included.
- Only for the additional RESET# pin on 16-pin SOIC 300mil package.
- The Max of I<sub>LI</sub> and I<sub>LO</sub> for the additional RESET# pin on 16-pin SOIC 300mil package is ±2 μA.

**9.4 AC MEASUREMENT CONDITIONS**

Symbol	Parameter	Min	Max	Units
CL	Load Capacitance up to 104MHz		30	pF
	Load Capacitance up to 133MHz		15	pF
TR,TF	Input Rise and Fall Times		5	ns
VIN	Input Pulse Voltages	0.2V <sub>CC</sub> to 0.8V <sub>CC</sub>		V
VREFI	Input Timing Reference Voltages	0.3V <sub>CC</sub> to 0.7V <sub>CC</sub>		V
VREFO	Output Timing Reference Voltages	0.5V <sub>CC</sub>		V

**Figure 9.1 Output test load & AC measurement I/O Waveform**


**9.5 AC CHARACTERISTICS**

(Under operating range, refer to section 9.4 for AC measurement conditions)

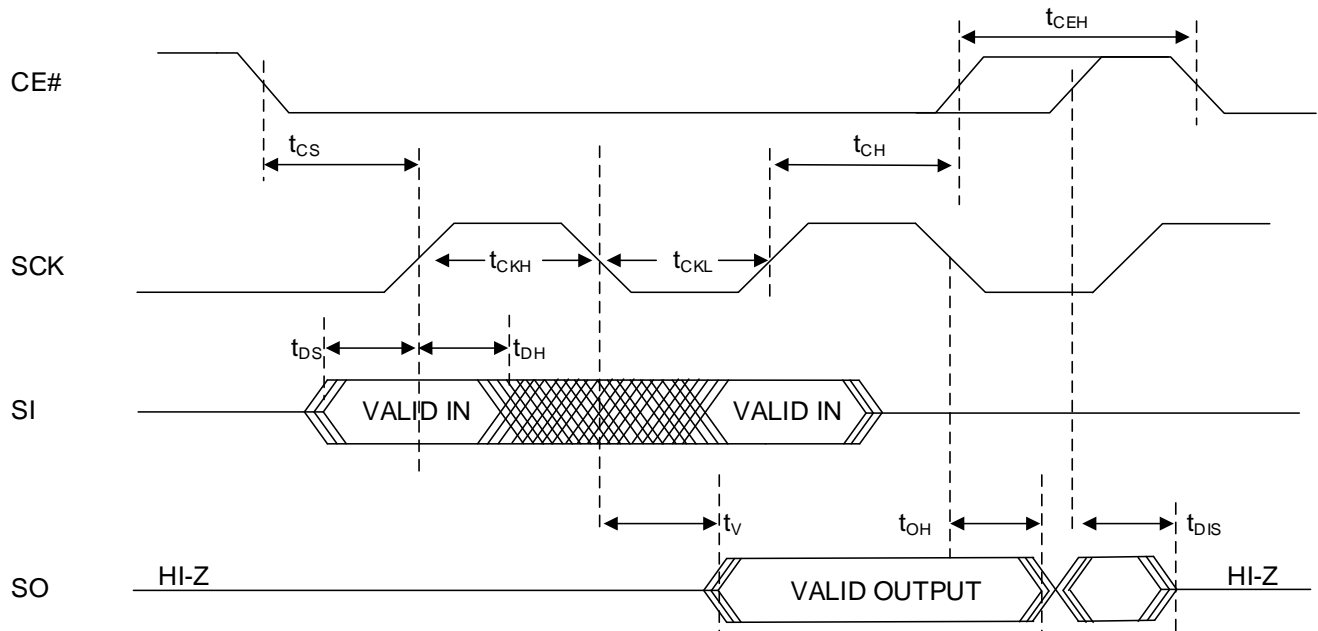
Symbol	Parameter	Min	Typ <sup>(3)</sup>	Max	Units	
f <sub>CT</sub>	Clock Frequency for fast read mode: SPI, Dual, Dual I/O, Quad I/O, and QPI.	0		133	MHz	
f <sub>C2</sub> , f <sub>T2</sub> , f <sub>Q2</sub>	Clock Frequency for fast read DTR: SPI DTR, Dual DTR, Dual I/O DTR, Quad I/O DTR, and QPI DTR.	0		66	MHz	
f <sub>C</sub>	Clock Frequency for read mode SPI	0		50	MHz	
t <sub>CLCH</sub> <sup>(1)</sup>	SCK Rise Time (peak to peak)	0.1			V/ns	
t <sub>CHCL</sub> <sup>(1)</sup>	SCK Fall Time (peak to peak)	0.1			V/ns	
t <sub>CKH</sub>	SCK High Time	For read mode	45% f <sub>C</sub>		ns	
		For others	45% f <sub>CT/C2/T2/Q2</sub>			
t <sub>CKL</sub>	SCK Low Time	For read mode	45% f <sub>C</sub>		ns	
		For others	45% f <sub>CT/C2/T2/Q2</sub>			
t <sub>CEH</sub>	CE# High Time	7			ns	
t <sub>CS</sub>	CE# Setup Time	6			ns	
t <sub>CH</sub>	CE# Hold Time	6			ns	
t <sub>DS</sub>	Data In Setup Time	Normal Mode	2		ns	
		DTR Mode	1.5			
t <sub>DH</sub>	Data in Hold Time	Normal Mode	2		ns	
		DTR Mode	1.5			
t <sub>V</sub>	Output Valid	@ 133MHz (CL = 15pF)		7	ns	
		@ 104MHz (CL = 30pF)		8		
t <sub>OH</sub>	Output Hold Time	2			ns	
t <sub>DIS</sub> <sup>(1)</sup>	Output Disable Time			8	ns	
t <sub>HLCH</sub>	HOLD Active Setup Time relative to SCK	5			ns	
t <sub>CHHH</sub>	HOLD Active Hold Time relative to SCK	5			ns	
t <sub>HHCH</sub>	HOLD Not Active Setup Time relative to SCK	5			ns	
t <sub>CHHL</sub>	HOLD Not Active Hold Time relative to SCK	5			ns	
t <sub>LZ</sub> <sup>(1)</sup>	HOLD to Output Low Z			12	ns	
t <sub>HZ</sub> <sup>(1)</sup>	HOLD to Output High Z			12	ns	
t <sub>EC</sub>	Sector Erase Time (4Kbyte)			45	300	ms
	Block Erase Time (32Kbyte)			0.15	0.75	s
	Block Erase time (64Kbyte)			0.3	1.5	s
	Chip Erase Time	32Mb		8	23	s
64Mb			16	45		
t <sub>PP</sub>	Page Program Time		0.2	1.0	ms	



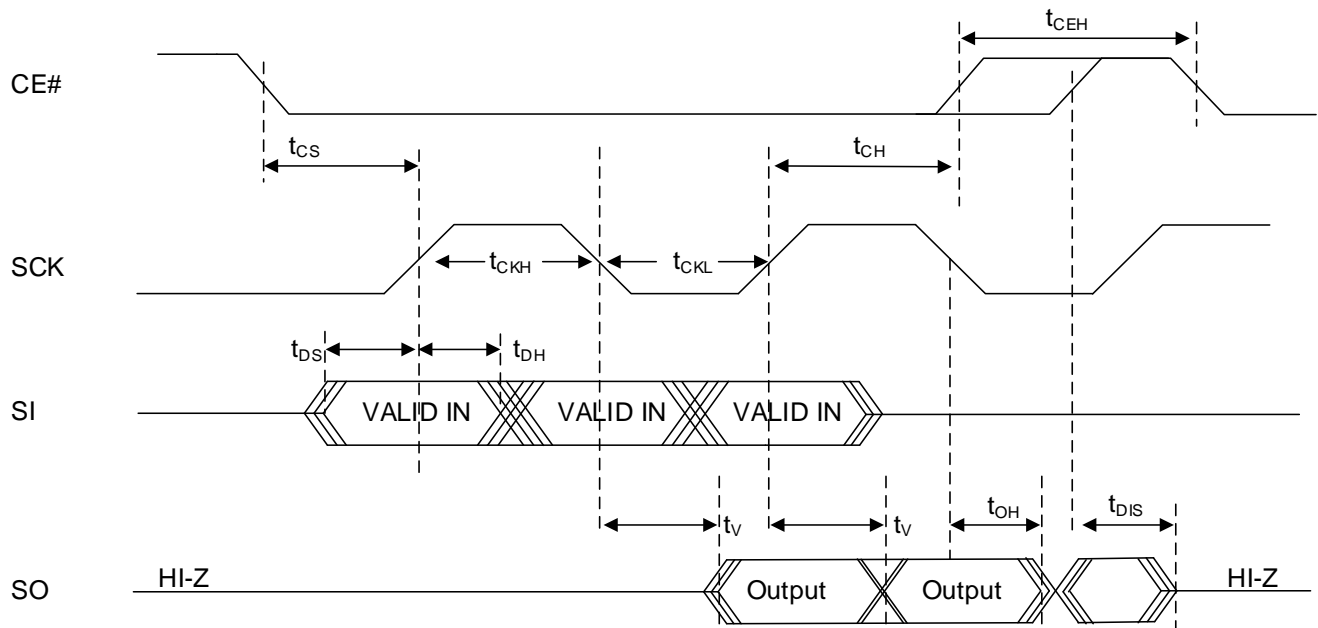
Symbol	Parameter	Min	Typ <sup>(3)</sup>	Max	Units
$t_{RES1}^{(1)}$	Release deep power down			3	$\mu$ s
$t_{DP}^{(1)}$	Deep power down			3	$\mu$ s
$t_W$	Write Status Register time		2	15	ms
$t_{SUS}^{(1)}$	Suspend to read ready			100	$\mu$ s
$t_{SRST}^{(1)}$	Software Reset recovery time			100	$\mu$ s
$t_{RESET}^{(1),(4)}$	RESET# pin low pulse width	1 <sup>(2)</sup>			$\mu$ s
$t_{HWRST}^{(1),(4)}$	Hardware Reset recovery time			100	$\mu$ s

**Notes:**

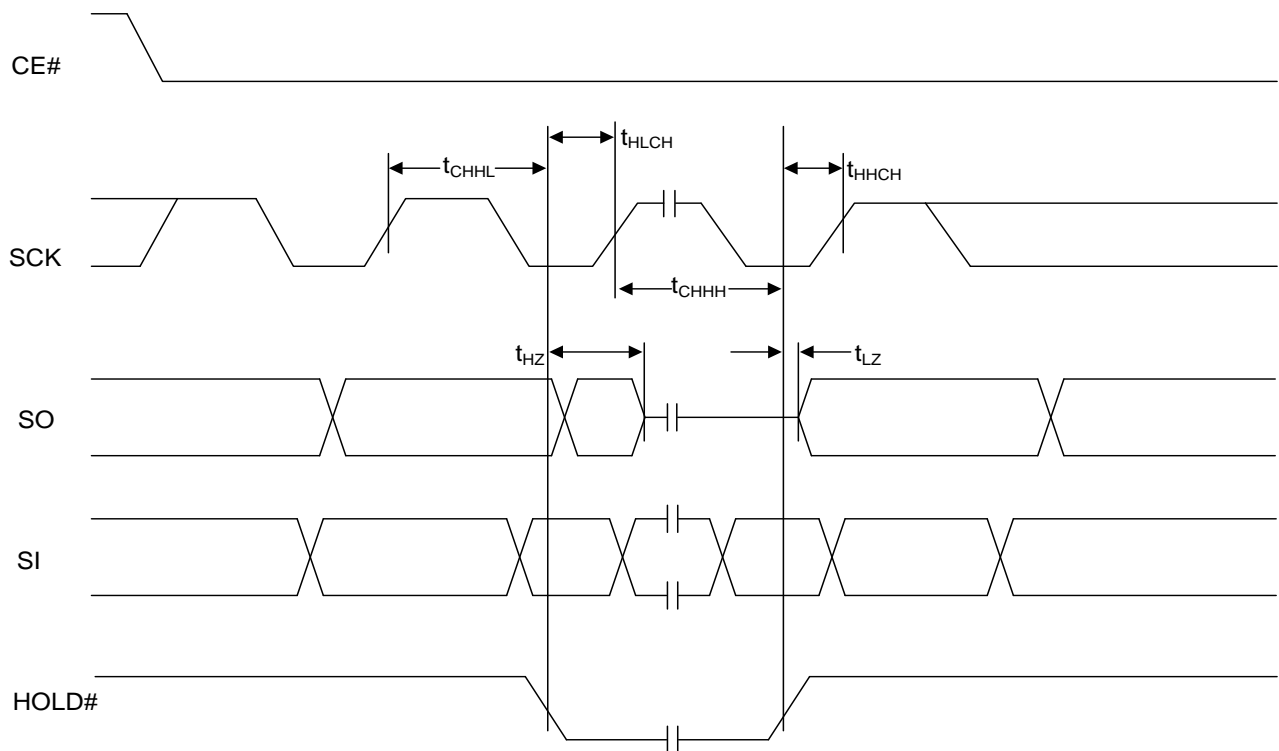
1. These parameters are characterized and not 100% tested.
2. If the RESET# pulse is driven for a period shorter than 1 $\mu$ s ( $t_{RESET}$  minimum), it may still reset the device, however the 1 $\mu$ s minimum period is recommended to ensure reliable operation.
3. Typical values are included for reference only and are not guaranteed or tested. Typical values are measured at  $V_{CC} = V_{CC} (Typ)$ ,  $TA=25^\circ C$ .
4. Only applicable to the parts that have the RESET# pin option.

**9.6 SERIAL INPUT/OUTPUT TIMING**
**Figure 9.2 SERIAL INPUT/OUTPUT TIMING (Normal Mode) <sup>(1)</sup>**


Note1. For SPI Mode 0 (0,0)

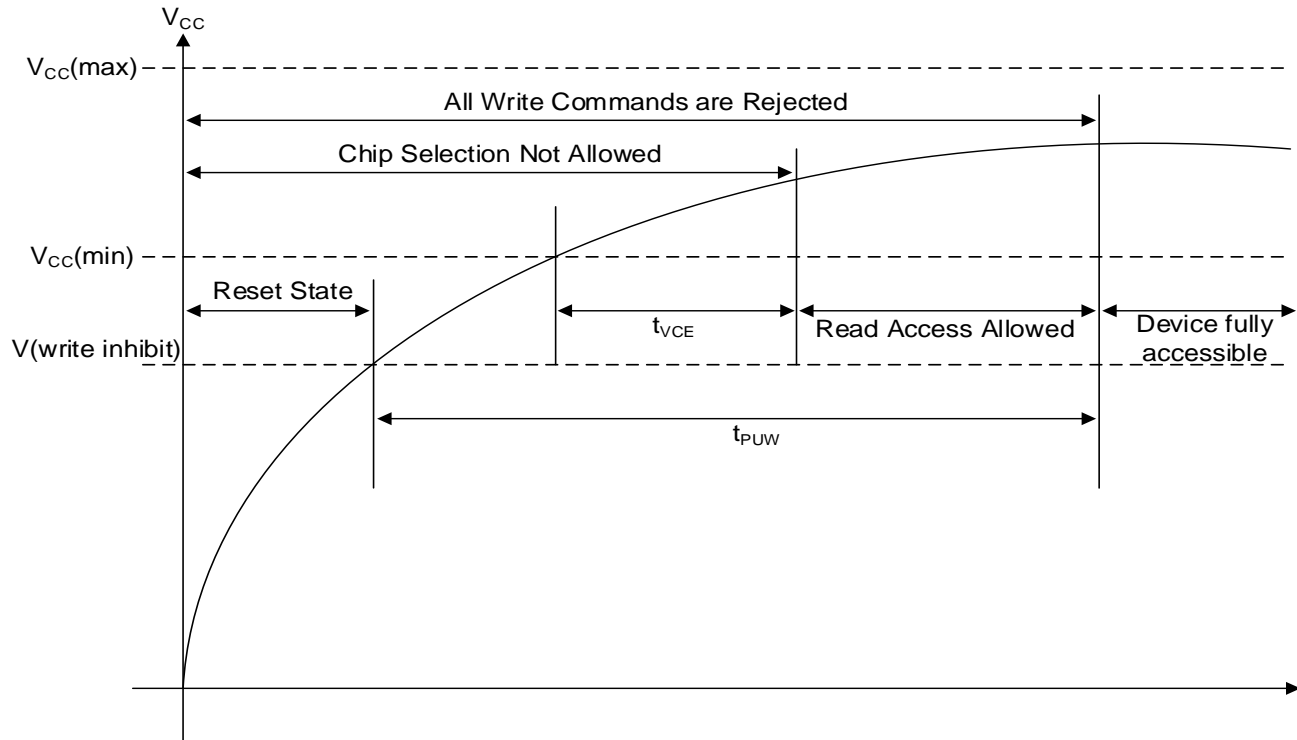
**Figure 9.3 SERIAL INPUT/OUTPUT TIMING (DTR Mode) <sup>(1)</sup>**


Note1. For SPI Mode 0 (0,0)

**Figure 9.4 HOLD TIMING**


**9.7 POWER-UP AND POWER-DOWN**

At Power-up and Power-down, the device must be NOT SELECTED until Vcc reaches at the right level. (Adding a simple pull-up resistor on CE# is recommended.)

**Power up timing**


Symbol	Parameter	Min.	Max	Unit
$t_{VCE}^{(1)}$	Vcc(min) to CE# Low	1		ms
$t_{PUW}^{(1)}$	Power-up time delay to write instruction	1	10	ms
$V_{wi}^{(1)}$	Write Inhibit Voltage		2.1	V

**Note:** These parameters are characterized and not 100% tested.

**9.8 PROGRAM/ERASE PERFORMANCE**

Parameter	Typ	Max	Unit
Sector Erase Time (4Kbyte)	45	300	ms
Block Erase Time (32Kbyte)	0.15	0.75	s
Block Erase Time (64Kbyte)	0.3	1.5	s
Chip Erase Time	32Mb	8	s
	64Mb	16	
Page Programming Time	0.2	1.0	ms
Byte Program	8	40	μs

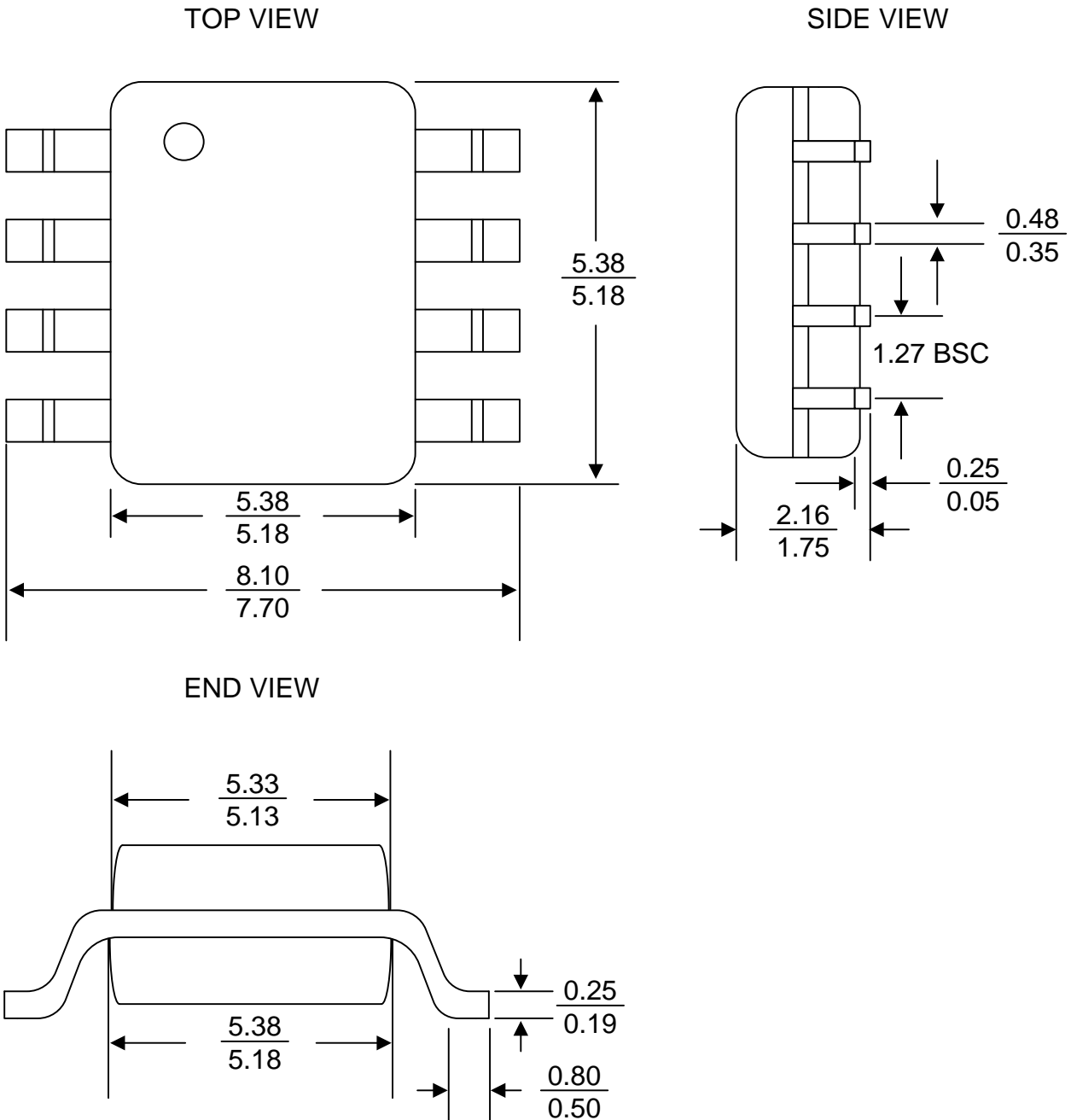
**Note:** These parameters are characterized and not 100% tested.

**9.9 RELIABILITY CHARACTERISTICS**

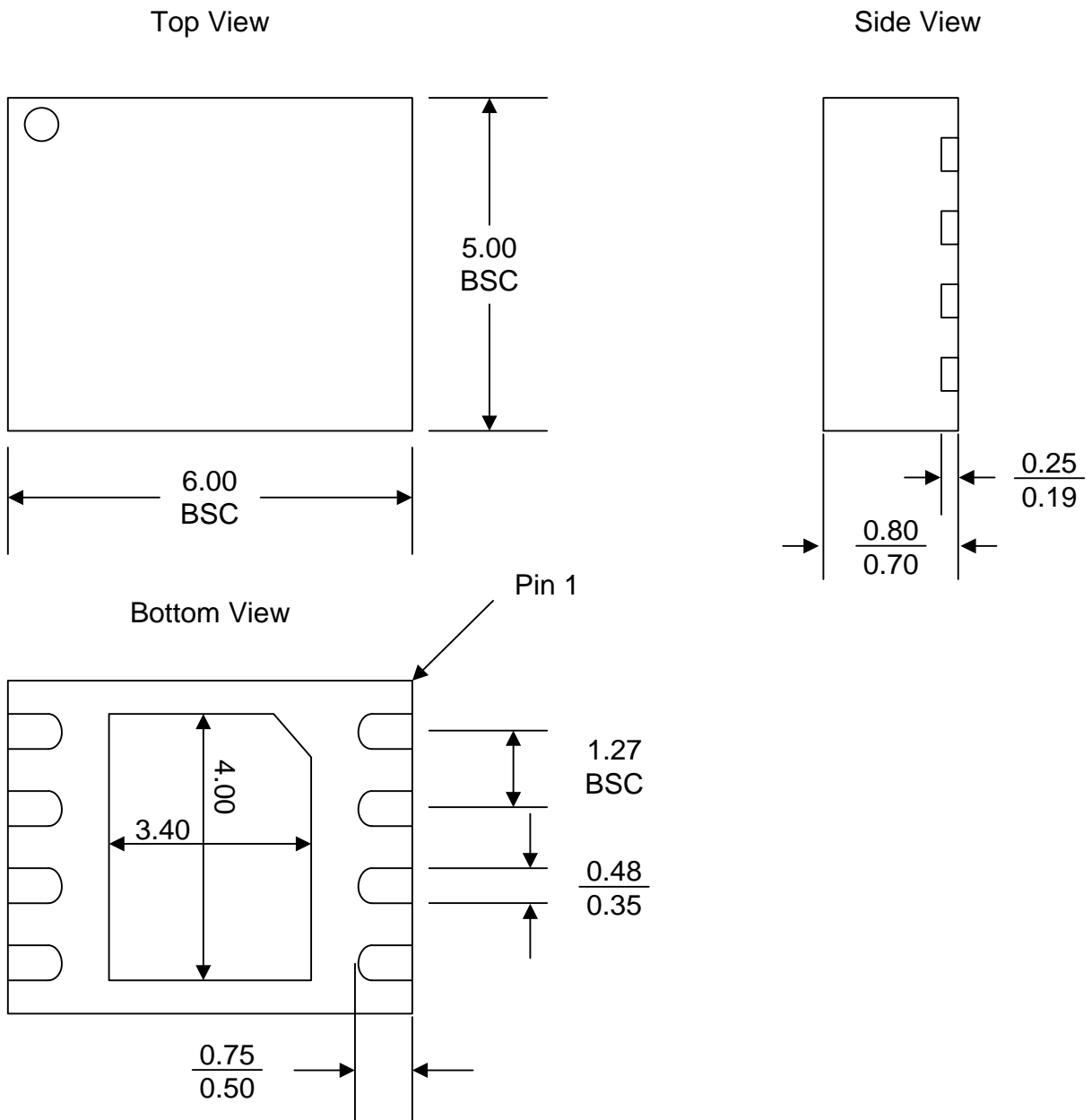
Parameter	Min	Unit	Test Method
Endurance	100,000	Cycles	JEDEC Standard A117
Data Retention	20	Years	JEDEC Standard A103
ESD – Human Body Model	2,000	Volts	JEDEC Standard A114
ESD – Machine Model	200	Volts	JEDEC Standard A115
Latch-Up	100 + ICC1	mA	JEDEC Standard 78

**Note:** These parameters are characterized and not 100% tested.

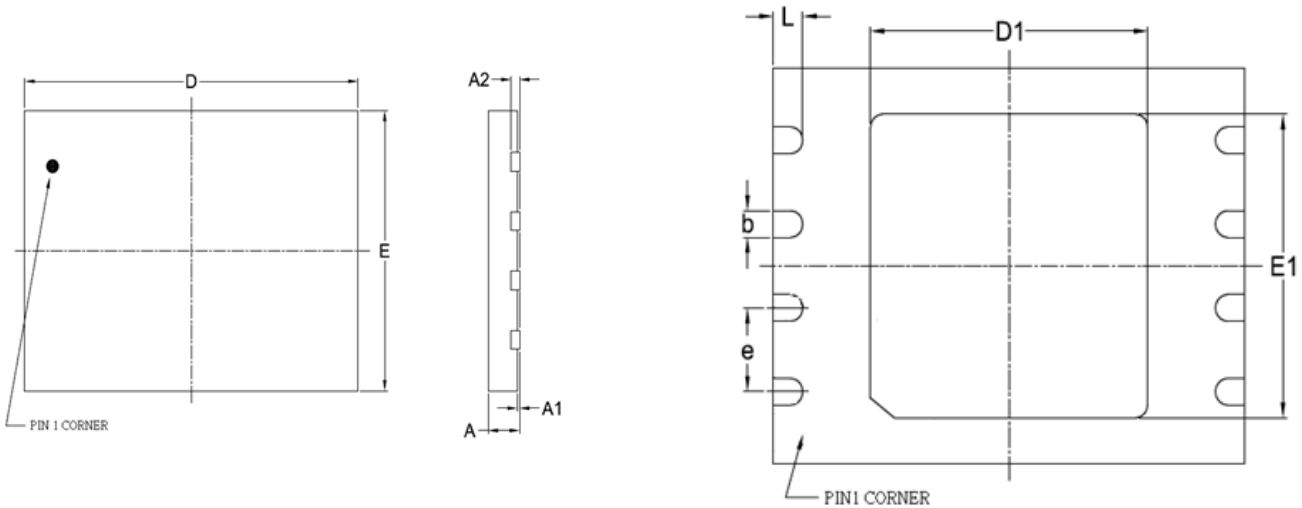


**10. PACKAGE TYPE INFORMATION**
**10.1 8-PIN JEDEC 208MIL BROAD SMALL OUTLINE INTEGRATED CIRCUIT (SOIC) PACKAGE (B)**


Note: All dimensions are in millimeters. Lead co-planarity is 0.1mm.

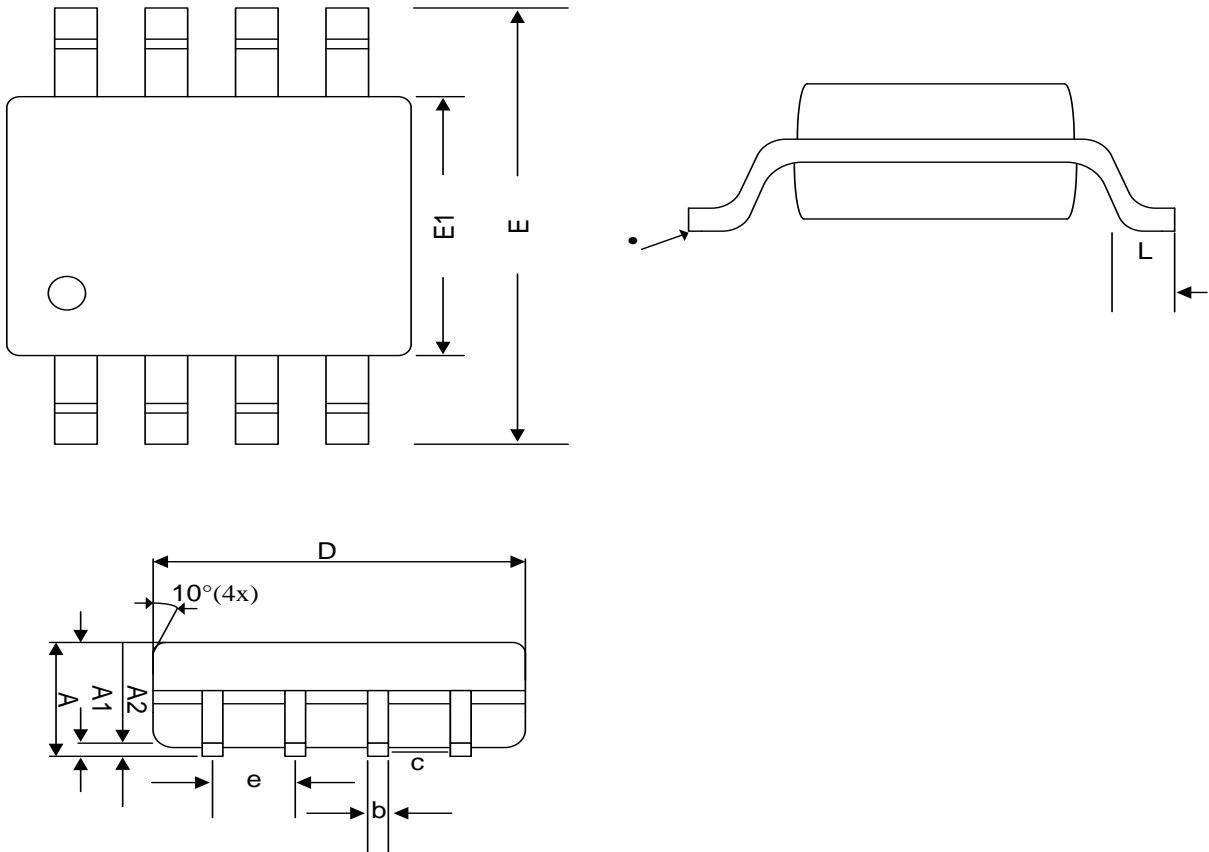
**10.2 8-CONTACT ULTRA-THIN SMALL OUTLINE NO-LEAD (WSON) PACKAGE 6X5MM (K)**


**Note:** All dimensions are in millimeters. Lead co-planarity is 0.08mm.

**10.3 8-CONTACT ULTRA-THIN SMALL OUTLINE NO-LEAD (WSON) PACKAGE 8X6MM (L)**


SYMBOL	DIMENSION IN MM		
	MIN.	NOM	MAX
A	0.70	0.75	0.80
A1	0.00	0.02	0.05
A2	---	0.20	---
D	7.90	8.00	8.10
E	5.90	6.00	6.10
D1	4.65	4.70	4.75
E1	4.55	4.60	4.65
e	---	1.27	---
b	0.35	0.40	0.48
L	0.4	0.50	0.60

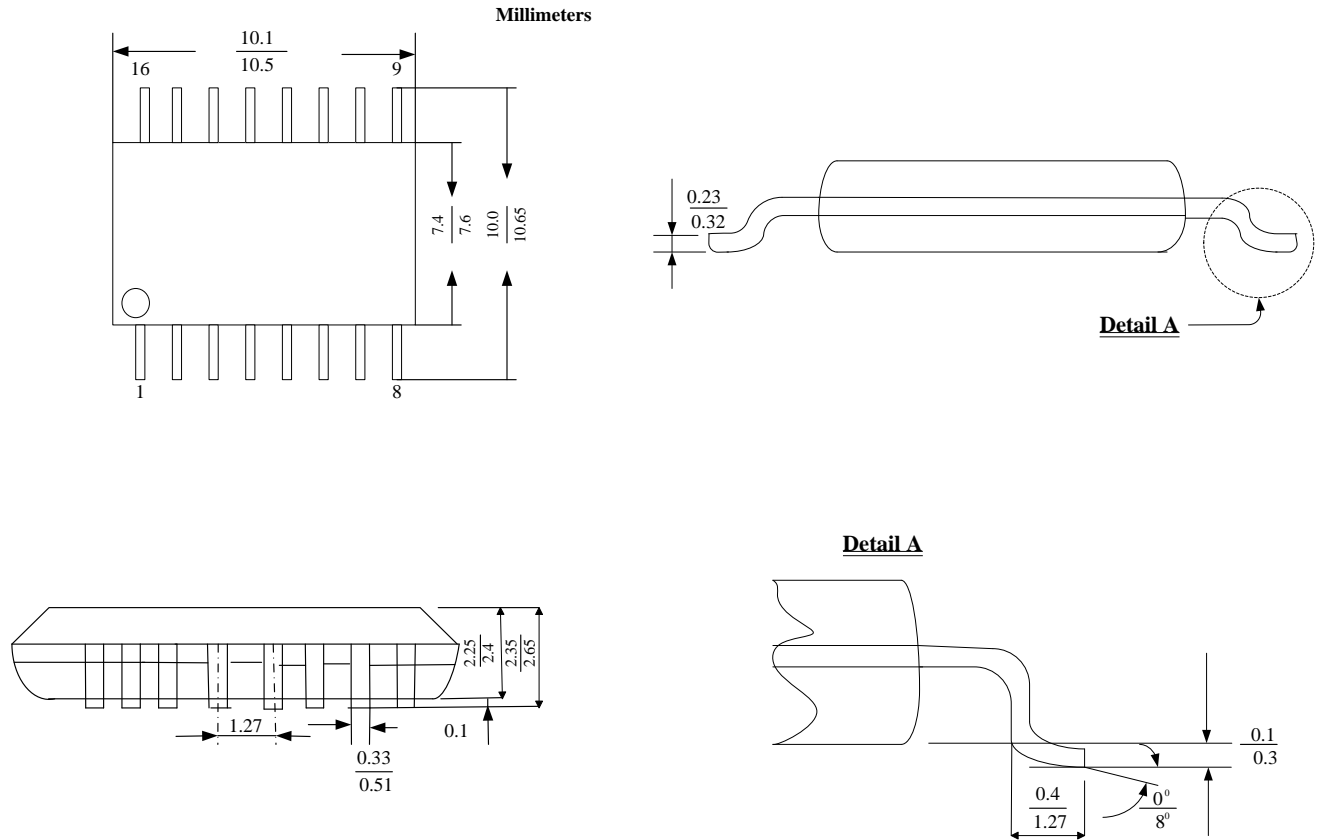
Note: All dimensions are in millimeters. Lead co-planarity is 0.08mm.

**10.4 8-PIN 208MIL VSOP PACKAGE (F)**


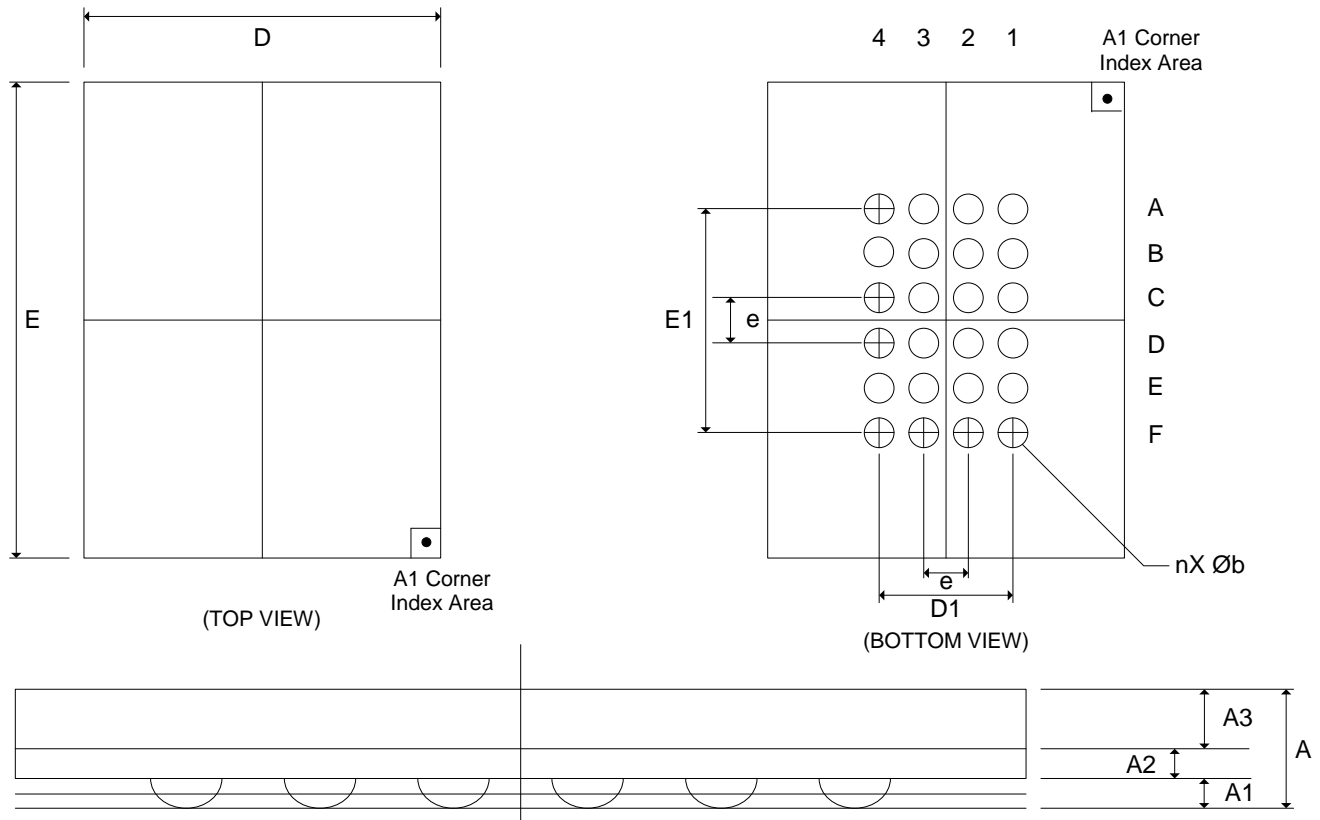
Symbols	Min	Typ	Max
A	-	-	1
A1	0.05	0.1	0.15
A2	0.75	0.8	0.85
b	0.35	0.42	0.48
c	-	.127 REF	-
D	5.18	5.28	5.38
E	7.7	7.9	8.1
E1	5.18	5.28	5.38
e	-	1.27	-
L	0.5	0.65	0.8
y	-	-	0.1
α	0°	-	8°

**Note: All dimensions are in millimeters. Lead co-planarity is 0.1mm.**

10.5 16-LEAD PLASTIC SMALL OUTLINE PACKAGE (300 MILS BODY WIDTH) (M)

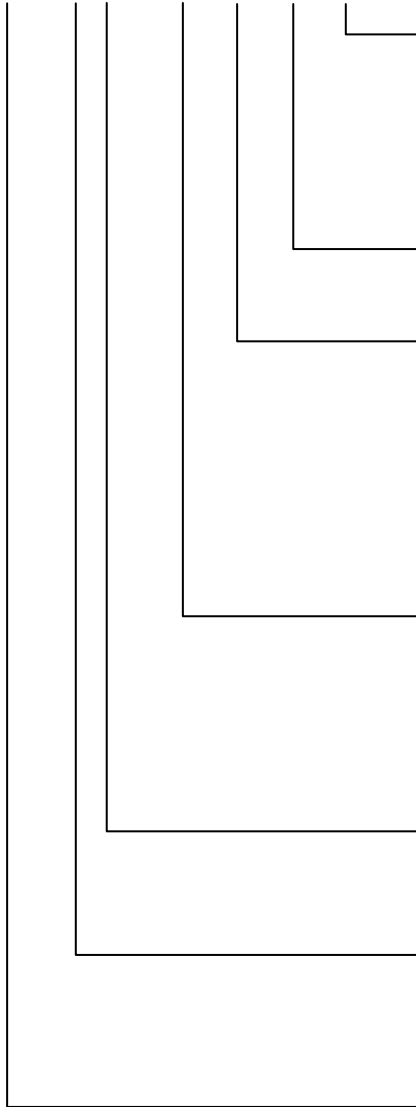


Note: All dimensions are in millimeters. Lead co-planarity is 0.08mm.

**10.6 24-BALL THIN PROFILE FINE PITCH BGA 6X8MM (G)**


SYMBOL	DIMENSIONS (MM)		
	MIN	NOM	MAX
A	-	-	1.20
A1	0.27	-	0.37
A2	0.21 REF		
A3	0.54 REF		
D	6 BSC		
E	8 BSC		
D1	-	3.00	-
E1	-	5.00	-
e	-	1.00	-
b	-	0.40	-

**Note:** All dimensions are in millimeters. Lead co-planarity is 0.08mm.

**11. ORDERING INFORMATION- Valid Part Numbers**
**IS25LP064A - J B L E**

**TEMPERATURE RANGE**

E = Extended (-40°C to +105°C)  
 E1 = Extended+ (-40°C to +125°C)  
 A1 = Automotive Grade (-40°C to +85°C)  
 A2 = Automotive Grade (-40°C to +105°C)  
 A3 = Automotive Grade (-40°C to +125°C)

**PACKAGING CONTENT**

L = RoHS compliant

**PACKAGE Type<sup>(1),(2)</sup>**

B = 8-pin SOIC 208mil  
 K = 8-contact WSON 6x5mm  
 L = 8-contact WSON 8x6mm  
 F = 8-pin VSOP 208mil  
 M = 16-pin SOIC 300mil  
 G = 24-ball TFBGA 6x8mm  
 W = KGD (Call Factory)

**Option**

J = Standard  
 R = additional RESET# pin option for 16-pin SOIC 300mil  
 Q = QE bit set to 1  
 P = Additional RESET# pin and QE bit set to 1 for 16-pin SOIC 300mil

**SPEED**

A = 133MHz (NOT Support DTR)  
 B = 66MHz DTR Support

**Density**

064 = 64 Megabit  
 032 = 32 Megabit

**BASE PART NUMBER**

IS = Integrated Silicon Solution Inc.  
 25LP = FLASH, 2.3V ~ 3.6V, QPI

**Note:**

1. Call Factory for other package options available.
2. For the RESET# pin option instead of HOLD# pin, call Factory.



Density	Frequency (MHz)	Order Part Number <sup>(1)</sup>		Package <sup>(2)</sup>	
64Mb	133	IS25LP064A-JBLE	IS25LP064A-JBLE1	8-pin SOIC 208mil	
		IS25LP064A-JKLE	IS25LP064A-JKLE1	8-contact WSON 6x5mm	
		IS25LP064A-JLLE	IS25LP064A-JLLE1	8-contact WSON 8x6mm	
		IS25LP064A-JFLE	IS25LP064A-JFLE1	8-pin VSOP 208mil	
		IS25LP064A-JMLE	IS25LP064A-JMLE1	16-pin SOIC 300mil	
		IS25LP064A-JGLE	IS25LP064A-JGLE1	24-ball TFBGA 6x8mm	
		IS25LP064A-QBLE	IS25LP064A-QBLE1	8-pin SOIC 208mil	
		IS25LP064A-QKLE	IS25LP064A-QKLE1	8-contact WSON 6x5mm	
		IS25LP064A-QLLE	IS25LP064A-QLLE1	8-contact WSON 8x6mm	
		IS25LP064A-QFLE	IS25LP064A-QFLE1	8-pin VSOP 208mil	
		IS25LP064A-QMLE	IS25LP064A-QMLE1	16-pin SOIC 300mil	
		IS25LP064A-QGLE	IS25LP064A-QGLE1	24-ball TFBGA 6x8mm	
		IS25LP064A-RMLE	IS25LP064A-RMLE1	16-pin SOIC 300mil <sup>(3)</sup>	
		IS25LP064A-PMLE	IS25LP064A-PMLE1	16-pin SOIC 300mil <sup>(3)</sup>	
		IS25LP064A-JBLA*		8-pin SOIC 208mil (Call Factory)	
		IS25LP064A-JKLA*		8-contact WSON 6x5mm (Call Factory)	
		IS25LP064A-JLLA*		8-contact WSON 8x6mm (Call Factory)	
		IS25LP064A-JFLA*		8-pin VSOP 208mil (Call Factory)	
		IS25LP064A-JMLA*		16-pin SOIC 300mil (Call Factory)	
		IS25LP064A-JGLA*		24-ball TFBGA 6x8mm (Call Factory)	
		IS25LP064A-QBLA*		8-pin SOIC 208mil (Call Factory)	
		IS25LP064A-QKLA*		8-contact WSON 6x5mm (Call Factory)	
		IS25LP064A-QLLA*		8-contact WSON 8x6mm (Call Factory)	
		IS25LP064A-QFLA*		8-pin VSOP 208mil (Call Factory)	
		IS25LP064A-QMLA*		16-pin SOIC 300mil (Call Factory)	
		IS25LP064A-QGLA*		24-ball TFBGA 6x8mm (Call Factory)	
IS25LP064A-RMLA*		16-pin SOIC 300mil <sup>(3)</sup>			
IS25LP064A-PMLA*		16-pin SOIC 300mil <sup>(3)</sup>			
IS25LP064A-JWLE		KGD (Call Factory)			





Density	Frequency (MHz)	Order Part Number <sup>(1)</sup>		Package <sup>(2)</sup>	
64Mb	DTR 66	IS25LP064B-JBLE	IS25LP064B-JBLE1	8-pin SOIC 208mil	
		IS25LP064B-JKLE	IS25LP064B-JKLE1	8-contact WSON 6x5mm	
		IS25LP064B-JLLE	IS25LP064B-JLLE1	8-contact WSON 8x6mm	
		IS25LP064B-JFLE	IS25LP064B-JFLE1	8-pin VSOP 208mil	
		IS25LP064B-JMLE	IS25LP064B-JMLE1	16-pin SOIC 300mil	
		IS25LP064B-JGLE	IS25LP064B-JGLE1	24-ball TFBGA 6x8mm	
		IS25LP064B-QBLE	IS25LP064B-QBLE1	8-pin SOIC 208mil	
		IS25LP064B-QKLE	IS25LP064B-QKLE1	8-contact WSON 6x5mm	
		IS25LP064B-QLLE	IS25LP064B-QLLE1	8-contact WSON 8x6mm	
		IS25LP064B-QFLE	IS25LP064B-QFLE1	8-pin VSOP 208mil	
		IS25LP064B-QMLE	IS25LP064B-QMLE1	16-pin SOIC 300mil	
		IS25LP064B-QGLE	IS25LP064B-QGLE1	24-ball TFBGA 6x8mm	
		IS25LP064B-RMLE	IS25LP064B-RMLE1	16-pin SOIC 300mil <sup>(3)</sup>	
		IS25LP064B-PMLE	IS25LP064B-PMLE1	16-pin SOIC 300mil <sup>(3)</sup>	
		IS25LP064B-JBLA*		8-pin SOIC 208mil (Call Factory)	
		IS25LP064B-JKLA*		8-contact WSON 6x5mm (Call Factory)	
		IS25LP064B-JLLA*		8-contact WSON 8x6mm (Call Factory)	
		IS25LP064B-JFLA*		8-pin VSOP 208mil (Call Factory)	
		IS25LP064B-JMLA*		16-pin SOIC 300mil (Call Factory)	
		IS25LP064B-JGLA*		24-ball TFBGA 6x8mm (Call Factory)	
		IS25LP064B-QBLA*		8-pin SOIC 208mil (Call Factory)	
		IS25LP064B-QKLA*		8-contact WSON 6x5mm (Call Factory)	
		IS25LP064B-QLLA*		8-contact WSON 8x6mm (Call Factory)	
		IS25LP064B-QFLA*		8-pin VSOP 208mil (Call Factory)	
		IS25LP064B-QMLA*		16-pin SOIC 300mil (Call Factory)	
		IS25LP064B-QGLA*		24-ball TFBGA 6x8mm (Call Factory)	
		IS25LP064B-RMLA*		16-pin SOIC 300mil <sup>(3)</sup>	
IS25LP064B-PMLA*		16-pin SOIC 300mil <sup>(3)</sup>			
IS25LP064B-JWLE		KGD (Call Factory)			

Density	Frequency (MHz)	Order Part Number <sup>(1)</sup>		Package <sup>(2)</sup>	
32Mb	133	IS25LP032A-JBLE	IS25LP032A-JBLE1	8-pin SOIC 208mil	
		IS25LP032A-JKLE	IS25LP032A-JKLE1	8-contact WSON 6x5mm	
		IS25LP032A-JLLE	IS25LP032A-JLLE1	8-contact WSON 8x6mm	
		IS25LP032A-JFLE	IS25LP032A-JFLE1	8-pin VSOP 208mil	
		IS25LP032A-JMLE	IS25LP032A-JMLE1	16-pin SOIC 300mil	
		IS25LP032A-JGLE	IS25LP032A-JGLE1	24-ball TFBGA 6x8mm	
		IS25LP032A-RMLE	IS25LP032A-RMLE1	16-pin SOIC 300mil <sup>(3)</sup>	
		IS25LP032A-PMLE	IS25LP032A-PMLE1	16-pin SOIC 300mil <sup>(3)</sup>	
		IS25LP032A-JBLA*		8-pin SOIC 208mil (Call Factory)	
		IS25LP032A-JKLA*		8-contact WSON 6x5mm (Call Factory)	
		IS25LP032A-JLLA*		8-contact WSON 8x6mm (Call Factory)	
		IS25LP032A-JFLA*		8-pin VSOP 208mil (Call Factory)	
		IS25LP032A-JMLA*		16-pin SOIC 300mil (Call Factory)	
		IS25LP032A-JGLA*		24-ball TFBGA 6x8mm (Call Factory)	
		IS25LP032A-RMLA*		16-pin SOIC 300mil <sup>(3)</sup>	
		IS25LP032A-PMLA*		16-pin SOIC 300mil <sup>(3)</sup>	
		IS25LP032A-JWLE		KGD (Call Factory)	
		DTR 66	DTR 66	IS25LP032B-JBLE	IS25LP032B-JBLE1
	IS25LP032B-JKLE			IS25LP032B-JKLE1	8-contact WSON 6x5mm
	IS25LP032B-JLLE			IS25LP032B-JLLE1	8-contact WSON 8x6mm
	IS25LP032B-JFLE			IS25LP032B-JFLE1	8-pin VSOP 208mil
	IS25LP032B-JMLE			IS25LP032B-JMLE1	16-pin SOIC 300mil
	IS25LP032B-JGLE			IS25LP032B-JGLE1	24-ball TFBGA 6x8mm
	IS25LP032B-RMLE			IS25LP032B-RMLE1	16-pin SOIC 300mil <sup>(3)</sup>
	IS25LP032B-PMLE			IS25LP032B-PMLE1	16-pin SOIC 300mil <sup>(3)</sup>
	IS25LP032B-JBLA*			8-pin SOIC 208mil (Call Factory)	
	IS25LP032B-JKLA*			8-contact WSON 6x5mm (Call Factory)	
	IS25LP032B-JLLA*			8-contact WSON 8x6mm (Call Factory)	
IS25LP032B-JFLA*				8-pin VSOP 208mil (Call Factory)	
IS25LP032B-JMLA*				16-pin SOIC 300mil (Call Factory)	
IS25LP032B-JGLA*				24-ball TFBGA 6x8mm (Call Factory)	
IS25LP032B-RMLA*				16-pin SOIC 300mil <sup>(3)</sup>	
IS25LP032B-PMLA*				16-pin SOIC 300mil <sup>(3)</sup>	
IS25LP032B-JWLE				KGD (Call Factory)	

**Notes:**

- A\* = A1, A2, A3: Meets AEC-Q100 requirements with PPAP, E1= Extended+ non-Auto qualified  
Temp Grades: E= -40 to 105°C, E1= -40 to 125°C, A1= -40 to 85°C, A2= -40 to 105°C, A3= -40 to 125°C
- For RESET# pin option, call Factory.
- The dedicated parts have additional RESET# pin on pin3.