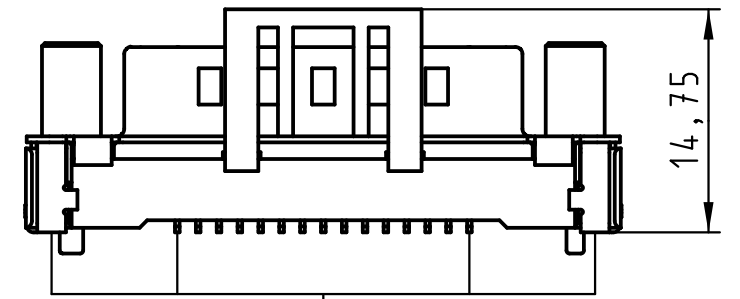
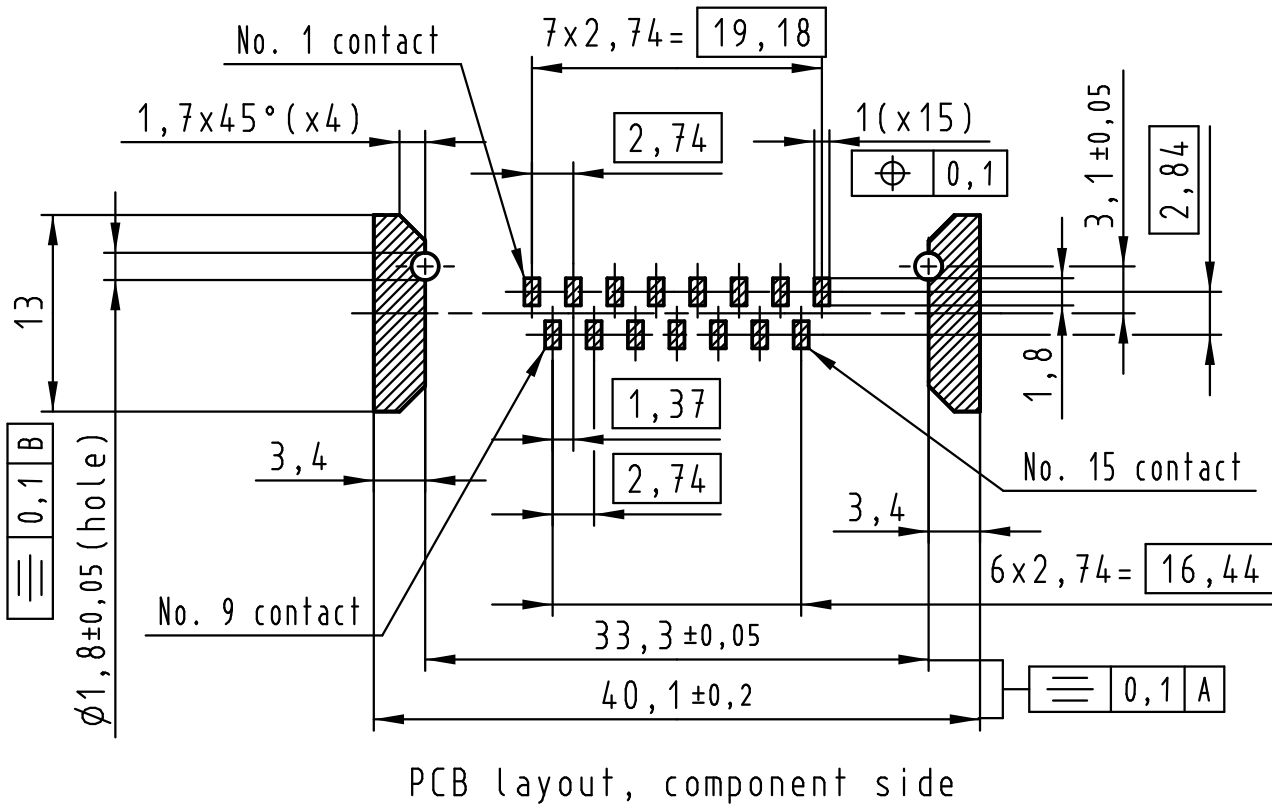
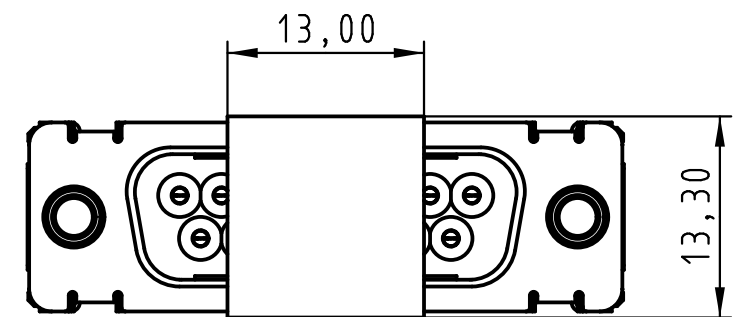
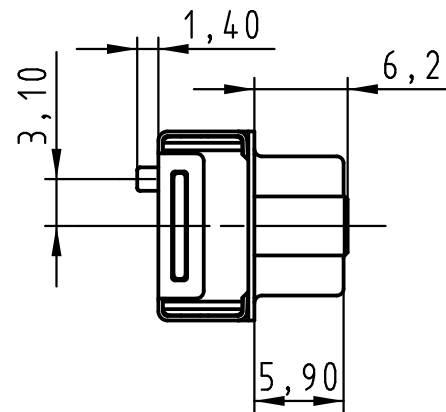
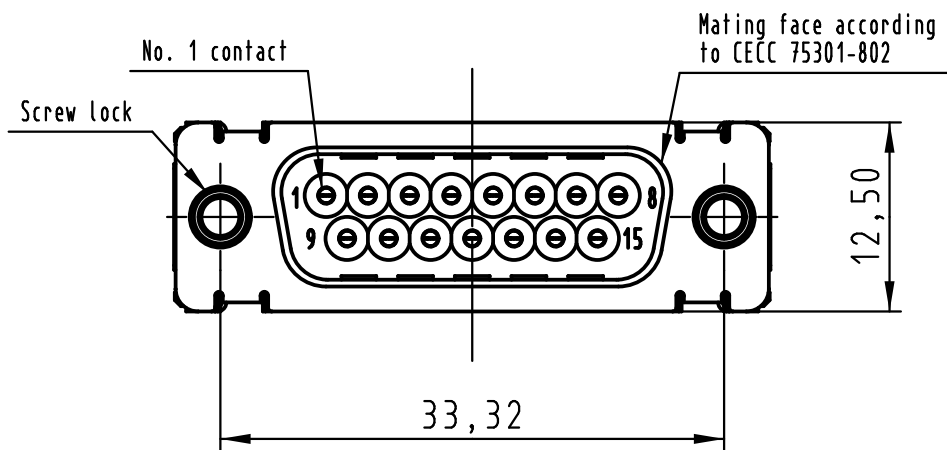


Load vacuum cover



0.10  
(All contacts and grounds)



Max. Temperature: 260° during 10 seconds.

0955 229 3821 741	1	M3	Black insulator	Reel Packaging: 140 connectors (See details on page2/2)
0955 229 3822 741	1	4-40 UNC		
0955 229 6821 741	2	M3		
0955 229 6822 741	2	4-40 UNC		
0955 229 7821 741	3	M3		
0955 229 7822 741	3	4-40 UNC		

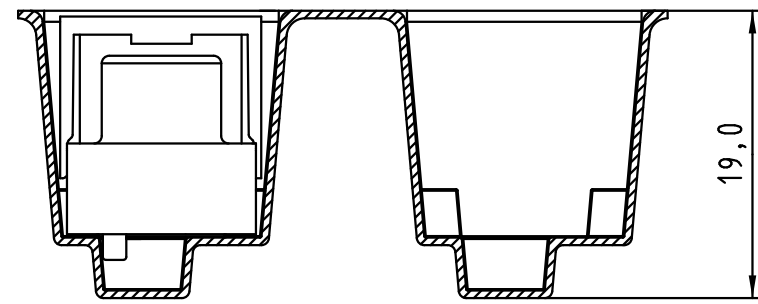
Part number	PL	Screw lock	Index designation
		Techn. Character.	Free size tolerances
Mod.	Dat.	Name	D-Sub SMT, 15 poles Male, Straight with screw locks and ground pads
EC04070	17-Nov-11	Johnson.S	Scale: 2:1 TB 09 55 229 x82x
			Page 1/2
			Sub.

Zhuhai HARTING Limited

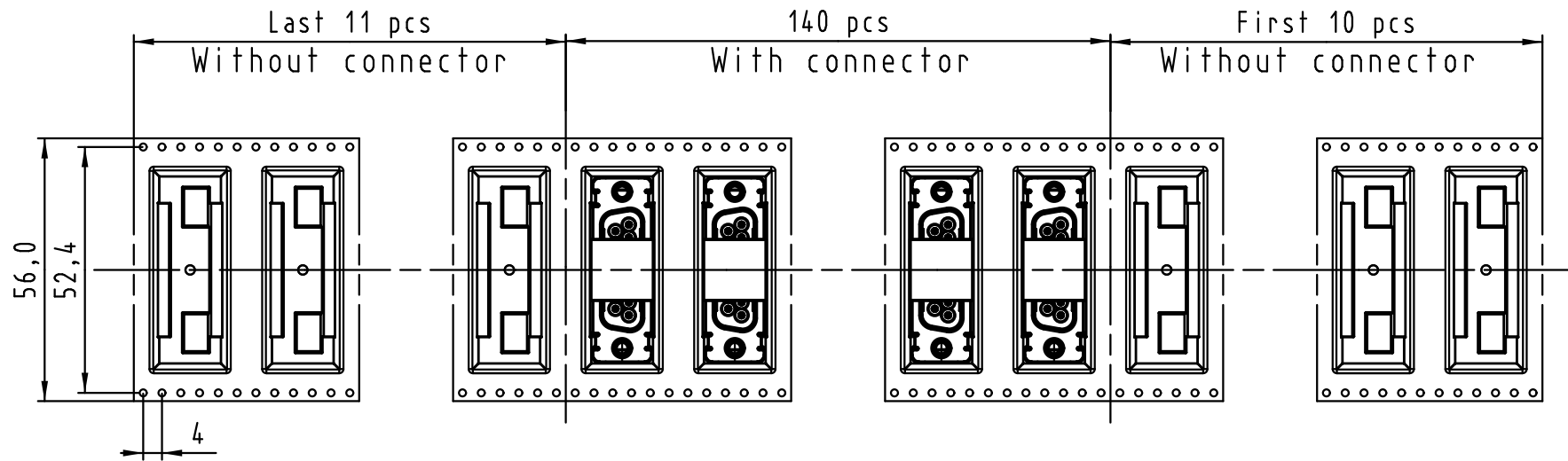
1 2 3 4 5 6 7 8

A

A



Detail A

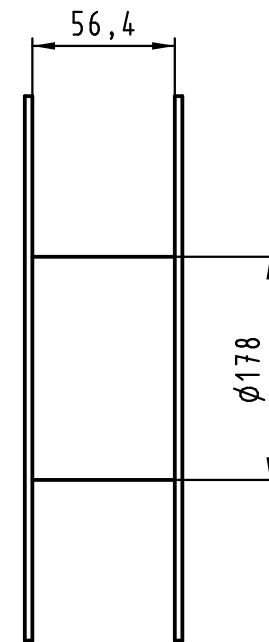
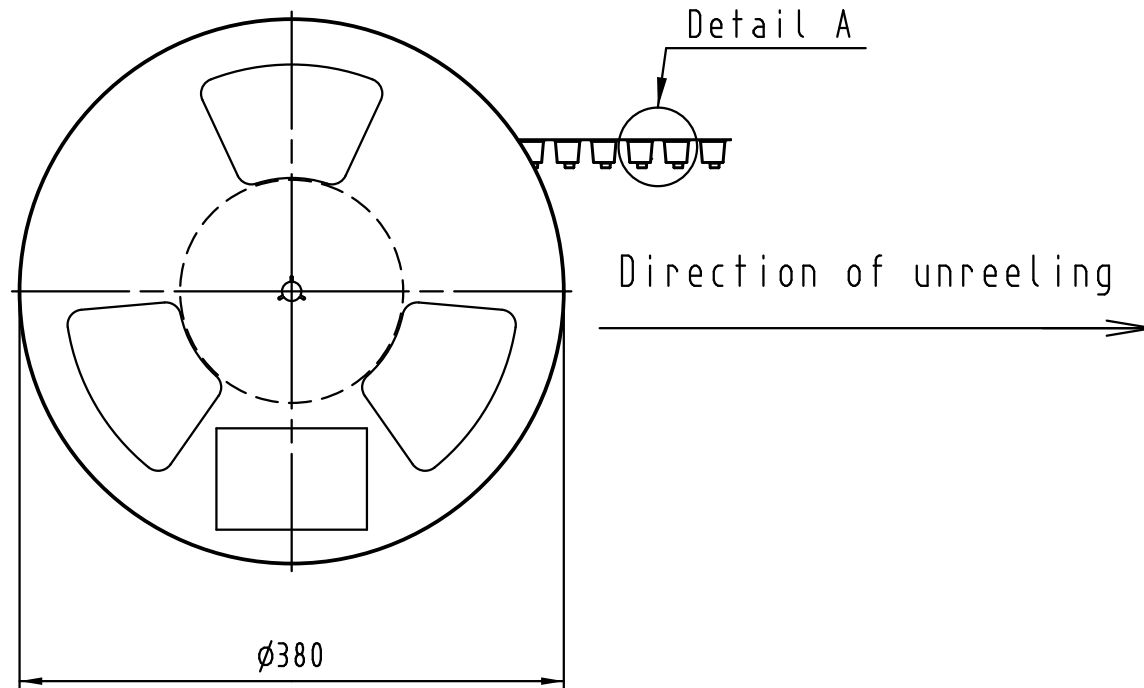


B

B

C

C



See TB 09 55 229 x82x folio 1/2 for connector dimensions and PCB layout

Packaging in accordance with EIA 481-2.

All rights reserved

D

D

E

E

0955 229 3821 741	1	M3	Black insulator	Reel Packaging: 140 connectors
0955 229 3822 741	1	4-40 UNC		
0955 229 6821 741	2	M3		
0955 229 6822 741	2	4-40 UNC		
0955 229 7821 741	3	M3		
0955 229 7822 741	3	4-40 UNC		
Part number	PL	Screw lock	Index designation	

All Dimensions in mm Original Size DIN A 3	Techn. Character.			Free size tolerances	
		Dat.	Name	Scale	
		Detail.	25-Oct-11 Johnson.S	D-Sub SMT, 15 poles Male, Straight with screw locks and ground pads	
		Insp.	17-Nov-11 Steven.W		
	Stand.	17-Nov-11 Steven.W			
EC04070	17-Nov-11	Johnson.S	Zhuhai HARTING Limited		TB 09 55 229 x82x
Mod.	Dat.	Name			Page 2/2
			Sub.		

1 2 3 4 5 6 7 8

F

F