

THIS DRAWING IS UNPUBLISHED.

RELEASED FOR PUBLICATION

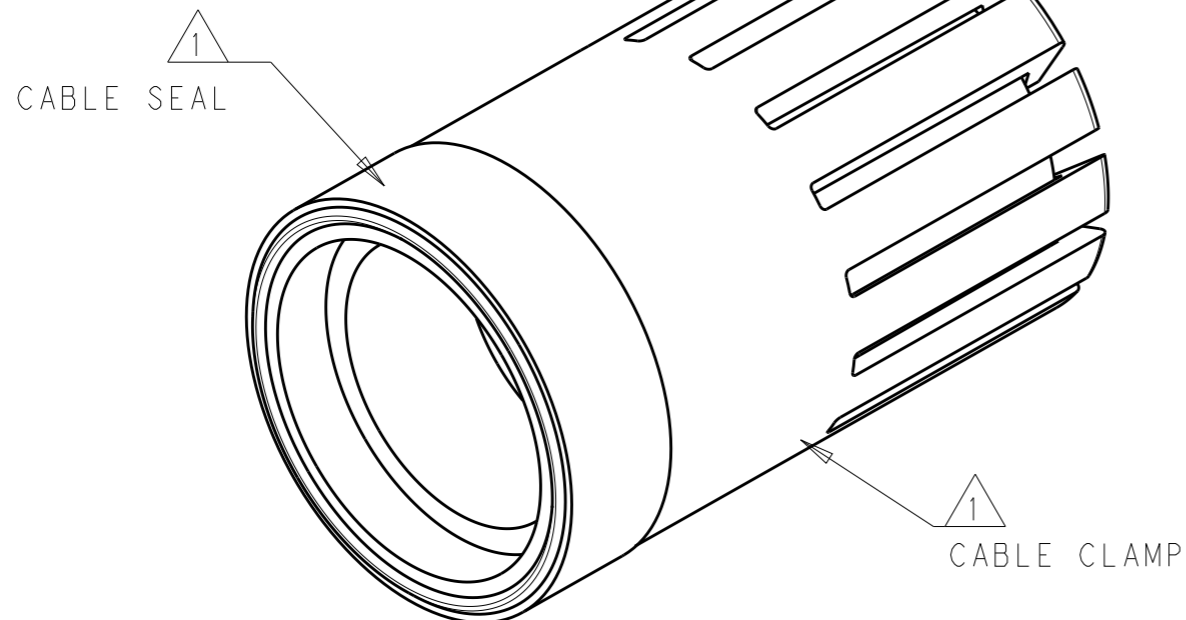
20

© COPYRIGHT 20 BY -

ALL RIGHTS RESERVED.

REVISIONS

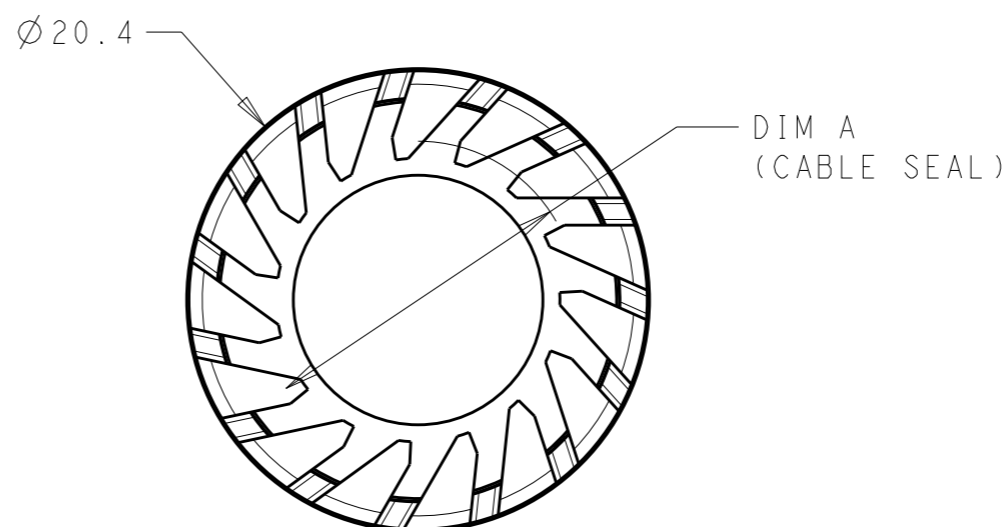
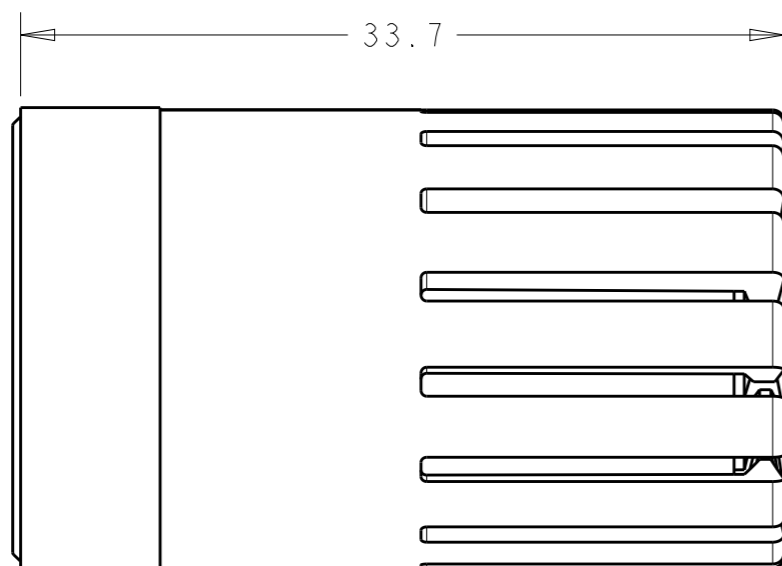
P	LTR	DESCRIPTION	DATE	DWN	APVD
	A	REVISED PER ECR-15-002016	10FEB2015	RS	LJ



NOTES:

- 1 MATERIALS:
 CABLE SEAL - THERMOPLASTIC ELASTOMER (TPE),
 COLOR BLACK
 CABLE CLAMP - GLASS FILLED PBT,
 COLOR BLACK

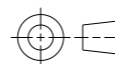
- 2. MUST COMPLY WITH DIRECTIVE 2002/95/EC (ROHS).
- 3. THIS PRODUCT HAS NOT COMPLETED VALIDATION TESTING.



11mm - 14mm	14.0mm	2213410-2
8mm - 11mm	11.0mm	2213410-1
CABLE DIA RANGE	DIM A	PART NO.

THIS DRAWING IS A CONTROLLED DOCUMENT.

DIMENSIONS:
mm



TOLERANCES UNLESS OTHERWISE SPECIFIED:

0 PLC	±-
1 PLC	±0.2
2 PLC	±0.13
3 PLC	±-
4 PLC	±-
ANGLES	±3°

MATERIAL
TBD

FINISH
-

DWN 24MAR2014

J. SHAFER

CHK 24MAR2014

M. LUKSIC

APVD 24MAR2014

M. LUKSIC

PRODUCT SPEC

108-133014

APPLICATION SPEC

114-32111

WEIGHT -

Customer Drawing



TE Connectivity

NAME
CABLE CLAMP/SEAL ASSY
SEALED, NECTOR 3 POSN

SIZE	CAGE CODE	DRAWING NO	RESTRICTED TO
A3	-	2213410	-

SCALE 1:1 SHEET 1 OF 1 REV A