

6

5

4

3

2

1

E

E

D

D

C

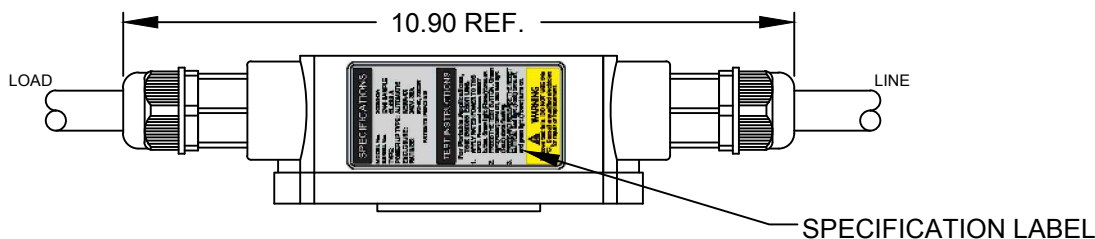
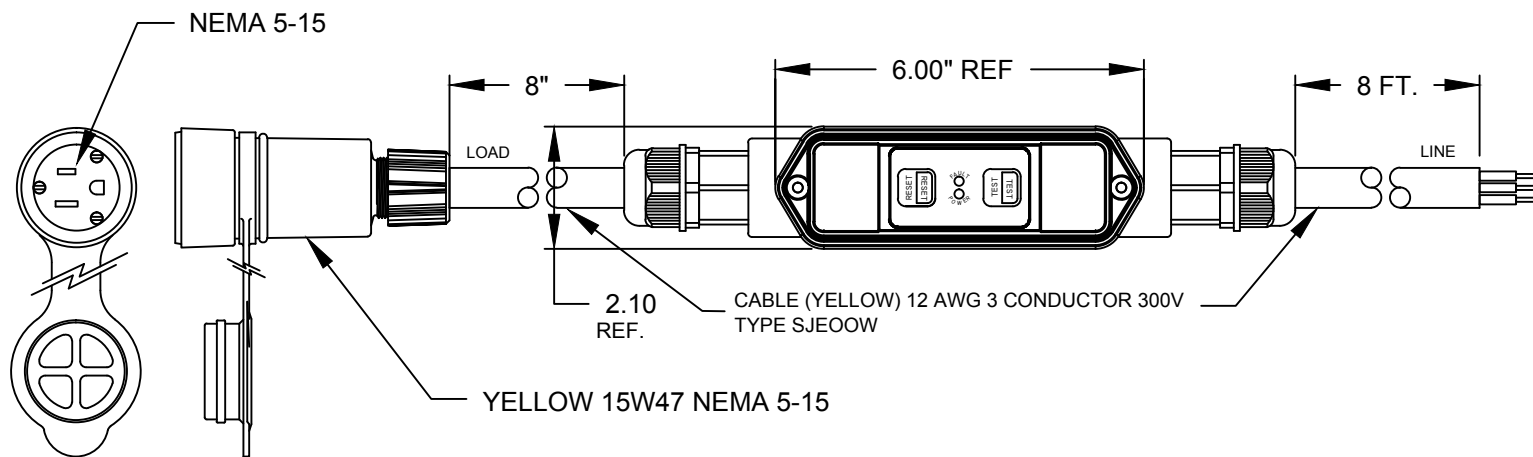
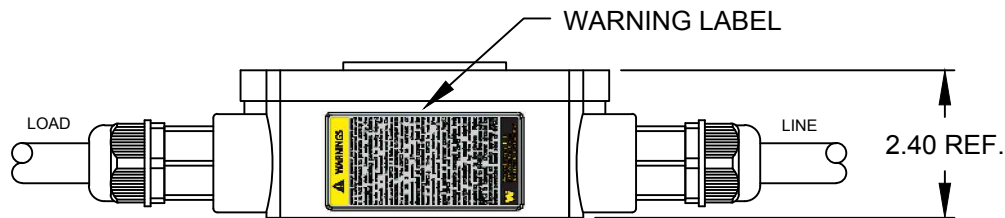
C

B

B

A

A



NOTE:
PRODUCT IS NOT UL LISTED

| | | | | | | | | | | | |
|--|----------------------|---|--|--------------------------|-------------------------|--------------------|--|--------------------------------|------------------------|--|--|
| RELEASE DRAWING EC NO: IPC2017-0980 DRWN: BPATTERS 2017/05/24 CHKD: KAHMED APPR: HKNEELAN 2017/06/02 | DESCRIPTION REV A | QUALITY SYMBOLS $\nabla=0$ $\nabla/C=0$ | GENERAL TOLERANCES (UNLESS SPECIFIED) | | DIMENSION STYLE INCH | | SCALE NTS | DESIGN UNITS INCH | THIRD ANGLE PROJECTION | | |
| | | 4 PLACES \pm --- \pm --- | mm \pm --- \pm --- | INCH \pm --- \pm --- | DRAWN BY BPATTERS | DATE 2017/05/24 | TITLE 15A/125V MANUAL GFCI 15W47 CONNECTOR 8 FT SJE00W FLYING LEADS | | | | |
| | | 3 PLACES \pm --- \pm .005 | \pm .05 \pm .010 | \pm .020 | CHECKED BY KAHMED | DATE --- | MOLEX INCORPORATED | | | | |
| | | 2 PLACES \pm .05 \pm .010 | \pm .10 \pm .020 | ANGULAR \pm 5° | APPROVED BY HKNEELAN | DATE 2017/06/02 | MATERIAL NO. 1301530275 | DOCUMENT NO. SD-130135-0275 | SHEET NO. 1 OF 1 | | |
| DRAFT WHERE APPLICABLE MUST REMAIN WITHIN DIMENSIONS | | | THIS DRAWING CONTAINS INFORMATION THAT IS PROPRIETARY TO MOLEX INCORPORATED AND SHOULD NOT BE USED WITHOUT WRITTEN PERMISSION | | | | | | | | |

6

5

4

3

2

1