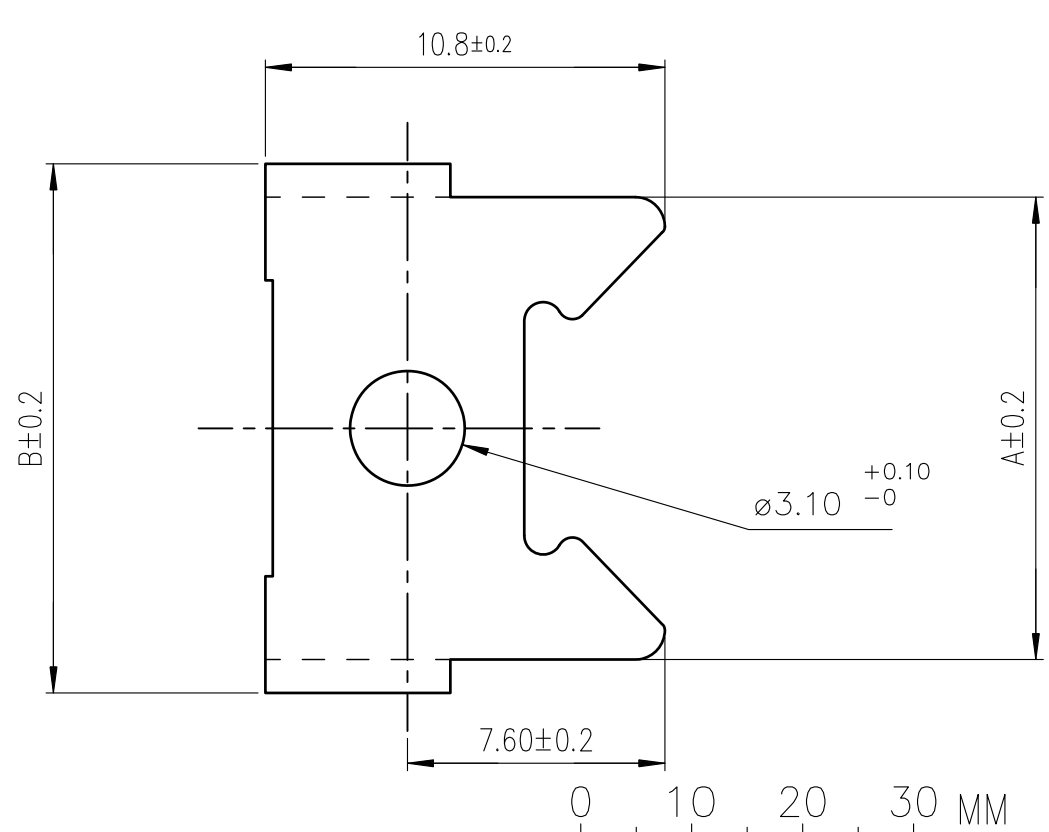
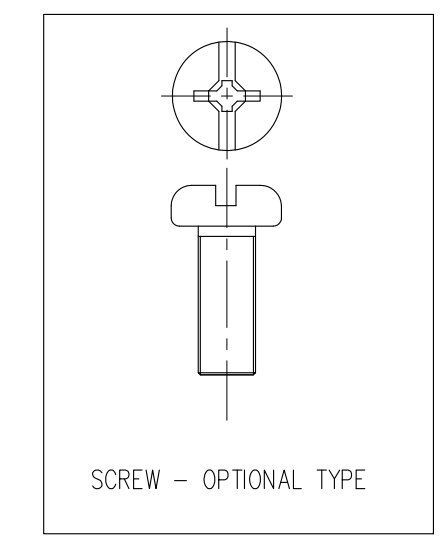


view F



REV F - 2006-04-17



SCREW - BOTH HEAD TYPES ALLOWED PER LOT

PLATING : zinc

PART NUMBER	PACKAGING	A	B
86303425*	per 100 pieces	12.50	14.30
863034252	per 2 pieces	12.50	14.30
86303426*	per 100 pieces	15.40	17.10
863034262	per 2 pieces	15.40	17.10

\* Add LF for Lead Free P/N

rev	ecn no	dr	date
B	-	JOU	2003/01/20
C	LS06-0097	LGO	2006/07/28
D	LS09-0006	PCR	2009/01/08
E	I10-0061	AMR	2010/02/24
F	I11-0022	AMR	2011/01/25
G	I11-0070	AMR	2011/04/18
H	ELX-H-011693	PK	2012/05/22

www.fciconnect.com		surface ISO 1302 ✓	tolerance std ISO 406 ISO 1101	projection mm
TOLERANCES UNLESS OTHERWISE SPECIFIED				
Dr	JARRY	1997/06/11	ANGULAR	0.X ±0.1
Eng	FONTENEAU	1997/06/11	LINEAR	0.XX ±0.1
Chr	ABHILASH	2010/02/24	0.XX ±2	0.XXX ±0.1
Appr	SUDHIR	2010/02/24	Product family	D-SUB
FCI		LEVER LOCKS FEMELLE (SHELL SIZE 09 15 25 37 50)		size A3
catalog no		-		Scale 5
-		CUSTOMER		ECN ELX-H-011693
-		-		Spec ref -
-		-		Rev. H
-		-		sheet 1 of 1