

6

5

4

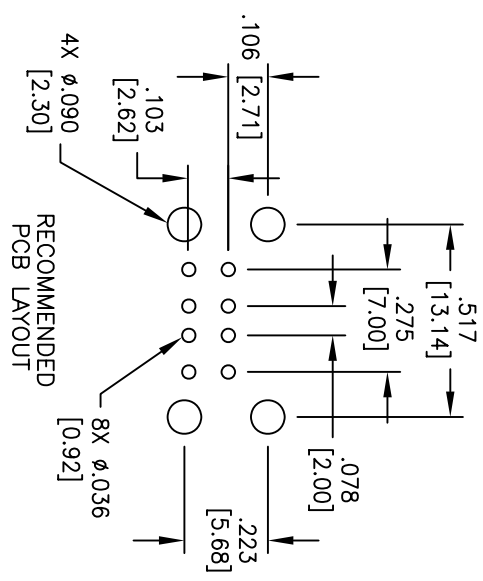
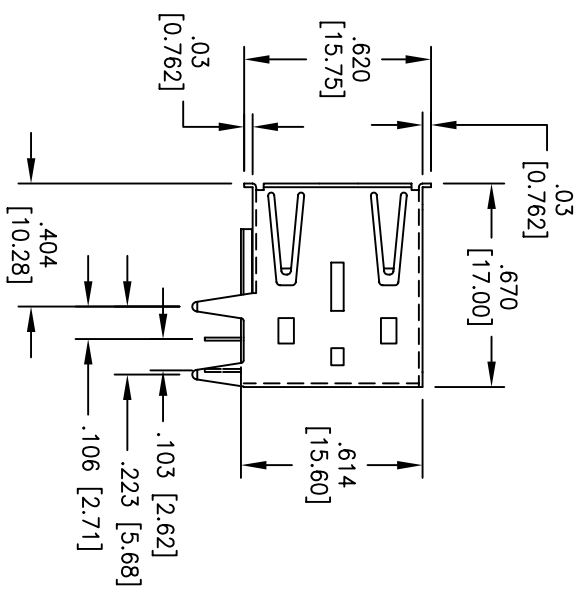
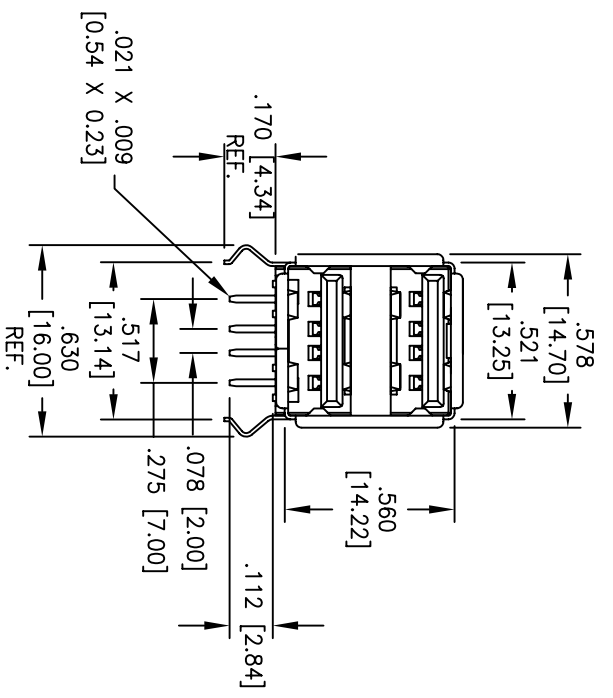
3

2

1

APPROVED: \_\_\_\_\_  
DATE: \_\_\_\_\_ TITLE: \_\_\_\_\_

Rev	AWO #	Description	Date	Appr
-		RELEASED	12/3/04	
A		REVISED & REDRAWN	09/22/05	



**SPECIFICATIONS:**

**Material:**  
 Insulator: PBT, Glass filled, rated UL 94V-0  
 Insulator color: Black  
 Contacts: Phosphor Bronze  
 Shell: Steel, nickel plated  
**Plating:**  
 Gold flash over Nickel underplate on contact area, Tin over Copper underplate on PCB tails

**Electrical:**  
 Operating voltage: 250 VAC max.  
 Current rating: 1 Amp max.  
 Contact resistance: 30 mohms max.  
 Insulation resistance: 100 Mohms min. @ 500 VDC  
 Dielectric withstanding voltage: 250 VAC for 1 minute  
**Temperature Rating:**  
 Operating temperature: -40°C to +85°C

**Environmental:**  
 Lead free, RoHS compliant.  
 Recommended soldering temp: 235°C for 5 sec.



UNLESS OTHERWISE SPECIFIED  
 ALL DIMENSIONS ARE INCHES [MM]  
 TOLERANCES: EXCEPT AS NOTED

INCHES	±.10	ØXX	±.10
XX	±.020	ØXXX	±.015
XXX	±.015	ØXXX	±.010

APPROVALS

DATE	
SS	10/4/04

**ADAM TECH**  
 909 Rahway Avenue, Union, NJ 07083  
 Phone: 908-687-5000 Fax: 908-687-5710

TITLE: UNIVERSAL SERIAL BUS  
 DUAL PORT, RIGHT ANGLE, PCB

DRAWN	SS	10/4/04	SIZE	PART NO.	REV.
CHECKED			X	USB-A-D-RA	A
APPROVED			REF:	SCALE: NTS	SHEET 1 OF 1

6

5

4

3

2

1