



## 128K X 8 BIT LOW POWER CMOS SRAM

### FEATURES

- Access time :55ns
- Low power consumption:  
Operating current:10 mA (TYP.)  
Standby current: 1  $\mu$ A (TYP)
- Single 2.7V ~ 5.5V power supply
- Fully Compatible with all Competitors 5V product
- Fully Compatible with all Competitors 3.3V product
  
- Fully static operation
- Tri-state output
- Data retention voltage : 1.5V (MIN.)
- All products are ROHS Compliant
- Package : 32-pin 450 mil SOP  
32-pin 600 mil P-DIP  
32-pin 8mm x 20mm TSOP-I  
32-pin 8mm x 13.4mm sTSOP  
36-ball 6mm x 8mm TFBGA

### GENERAL DESCRIPTION

The AS6C1008 is a 1,048,576-bit low power CMOS static random access memory organized as 131,072 words by 8 bits. It is fabricated using very high performance, high reliability CMOS technology. Its standby current is stable within the range of operating temperature.

The AS6C1008 is well designed for very low power system applications, and particularly well suited for battery back-up non-volatile memory application.

The AS6C1008 operates from a single power supply of 2.7V ~ 5.5V.

### FUNCTIONAL BLOCK DIAGRAM



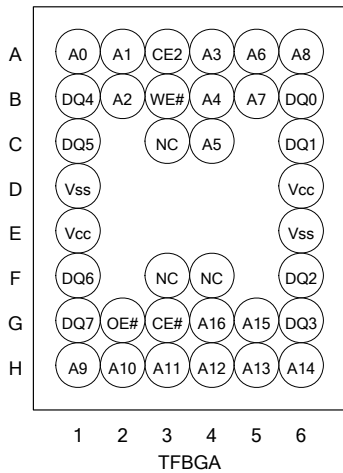
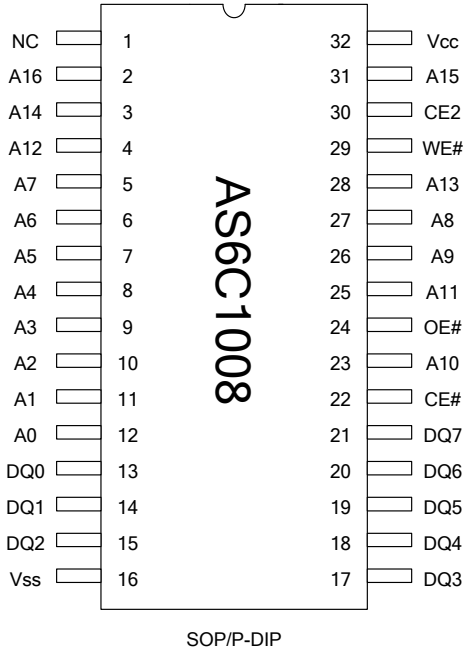
### PIN DESCRIPTION

SYMBOL	DESCRIPTION
A0 - A16	Address Inputs
DQ0 - DQ7	Data Inputs/Outputs
CE#, CE2	Chip Enable Inputs
WE#	Write Enable Input
OE#	Output Enable Input
Vcc	Power Supply
Vss	Ground
NC	No Connection



128K X 8 BIT LOW POWER CMOS SRAM

PIN CONFIGURATION





## 128K X 8 BIT LOW POWER CMOS SRAM

**ABSOLUTE MAXIMUM RATINGS\***

PARAMETER	SYMBOL	RATING	UNIT
Terminal Voltage with Respect to V <sub>SS</sub>	V <sub>TERM</sub>	-0.5 to 7.0	V
Operating Temperature	T <sub>A</sub>	0 to 70(C grade)	°C
		-40 to 85(I grade)	
Storage Temperature	T <sub>STG</sub>	-65 to 150	°C
Power Dissipation	P <sub>D</sub>	1	W
DC Output Current	I <sub>OUT</sub>	50	mA
Soldering Temperature (under 10 sec)	T <sub>SOLDER</sub>	260	°C

\*Stresses greater than those listed under "Absolute Maximum Ratings" may cause permanent damage to the device. This is a stress rating only and functional operation of the device or any other conditions above those indicated in the operational sections of this specification is not implied. Exposure to the absolute maximum rating conditions for extended period may affect device reliability.

**TRUTH TABLE**

MODE	CE#	CE2	OE#	WE#	I/O OPERATION	SUPPLY CURRENT
Standby	H	X	X	X	High-Z	I <sub>SB1</sub>
	X	L	X	X	High-Z	I <sub>SB1</sub>
Output Disable	L	H	H	H	High-Z	I <sub>CC</sub> , I <sub>CC1</sub>
Read	L	H	L	H	D <sub>OUT</sub>	I <sub>CC</sub> , I <sub>CC1</sub>
Write	L	H	X	L	D <sub>IN</sub>	I <sub>CC</sub> , I <sub>CC1</sub>

Note: H = V<sub>IH</sub>, L = V<sub>IL</sub>, X = Don't care.

**DC ELECTRICAL CHARACTERISTICS**

PARAMETER	SYMBOL	TEST CONDITION	MIN.	TYP. <sup>4</sup>	MAX.	UNIT
Supply Voltage	V <sub>CC</sub>		2.7	3.0	5.5	V
Input High Voltage	V <sub>IH</sub> <sup>1</sup>		0.7*V <sub>CC</sub>	-	V <sub>CC</sub> +0.3	V
Input Low Voltage	V <sub>IL</sub> <sup>2</sup>		-0.2	-	0.6	V
Input Leakage Current	I <sub>LI</sub>	V <sub>CC</sub> ≥ V <sub>IN</sub> ≥ V <sub>SS</sub>	-1	-	1	μA
Output Leakage Current	I <sub>LO</sub>	V <sub>CC</sub> ≥ V <sub>OUT</sub> ≥ V <sub>SS</sub> , Output Disabled	-1	-	1	μA
Output High Voltage	V <sub>OH</sub>	I <sub>OH</sub> = -1mA	2.2	2.7	-	V
Output Low Voltage	V <sub>OL</sub>	I <sub>OL</sub> = 2mA	-	-	0.4	V
Average Operating Power supply Current	I <sub>CC</sub>	Cycle time = Min. CE# = V <sub>IL</sub> and CE2 = V <sub>IH</sub> , I <sub>I/O</sub> = 0mA	-55	10	60	mA
	I <sub>CC1</sub>	Cycle time = 1μs CE# ≤ 0.2V and CE2 ≥ V <sub>CC</sub> -0.2V, I <sub>I/O</sub> = 0mA other pins at 0.2V or V <sub>CC</sub> -0.2V	-	1	10	mA
Standby Power Supply Current	I <sub>SB1</sub>	CE# ≥ V <sub>CC</sub> -0.2V	C*	1	20	μA
		or CE2 ≤ 0.2V	I*	1	50	μA

\*C=Commercial temperature/I= Industrial temperature



## 128K X 8 BIT LOW POWER CMOS SRAM

## Notes:

1.  $V_{IH(max)} = V_{CC} + 3.0V$  for pulse width less than 10ns.
2.  $V_{IL(min)} = V_{SS} - 3.0V$  for pulse width less than 10ns.
3. Over/Undershoot specifications are characterized, not 100% tested.
4. Typical values are included for reference only and are not guaranteed or tested.  
Typical values are measured at  $V_{CC} = V_{CC(TYP.)}$  and  $T_A = 25^\circ C$

### CAPACITANCE ( $T_A = 25^\circ C, f = 1.0MHz$ )

PARAMETER	SYMBOL	MIN.	MAX	UNIT
Input Capacitance	$C_{IN}$	-	6	pF
Input/Output Capacitance	$C_{I/O}$	-	8	pF

Note : These parameters are guaranteed by device characterization, but not production tested.

### AC TEST CONDITIONS

Input Pulse Levels	0.2V to $V_{CC} - 0.2V$
Input Rise and Fall Times	3ns
Input and Output Timing Reference Levels	1.5V
Output Load	$C_L = 30pF + 1TTL, I_{OH}/I_{OL} = -1mA/2mA$

### AC ELECTRICAL CHARACTERISTICS

#### (1) READ CYCLE

PARAMETER	SYM.	AS6C1008-55		UNIT
		MIN.	MAX.	
Read Cycle Time	$t_{RC}$	55	-	ns
Address Access Time	$t_{AA}$	-	55	ns
Chip Enable Access Time	$t_{ACE}$	-	55	ns
Output Enable Access Time	$t_{OE}$	-	30	ns
Chip Enable to Output in Low-Z	$t_{CLZ}^*$	10	-	ns
Output Enable to Output in Low-Z	$t_{OLZ}^*$	5	-	ns
Chip Disable to Output in High-Z	$t_{CHZ}^*$	-	20	ns
Output Disable to Output in High-Z	$t_{OHZ}^*$	-	20	ns
Output Hold from Address Change	$t_{OH}$	10	-	ns

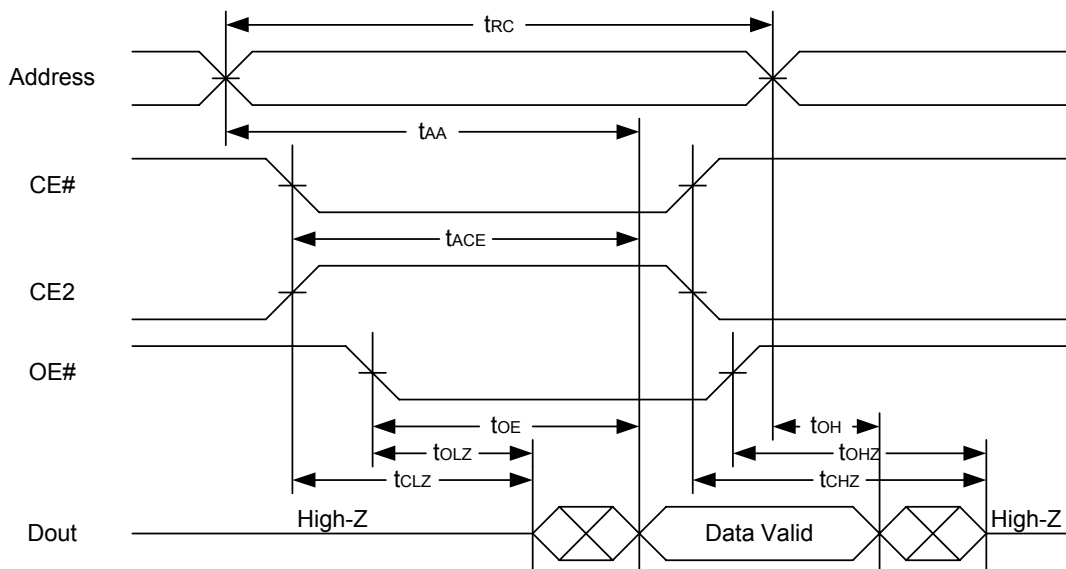
#### (2) WRITE CYCLE

PARAMETER	SYM.	AS6C1008-55		UNIT
		MIN.	MAX.	
Write Cycle Time	$t_{WC}$	55	-	ns
Address Valid to End of Write	$t_{AW}$	50	-	ns
Chip Enable to End of Write	$t_{CW}$	50	-	ns
Address Set-up Time	$t_{AS}$	0	-	ns
Write Pulse Width	$t_{WP}$	45	-	ns
Write Recovery Time	$t_{WR}$	0	-	ns
Data to Write Time Overlap	$t_{DW}$	25	-	ns
Data Hold from End of Write Time	$t_{DH}$	0	-	ns
Output Active from End of Write	$t_{OW}^*$	5	-	ns
Write to Output in High-Z	$t_{WHZ}^*$	-	20	ns

\*These parameters are guaranteed by device characterization, but not production tested.



## 128K X 8 BIT LOW POWER CMOS SRAM

**TIMING WAVEFORMS****READ CYCLE 1 (Address Controlled) (1,2)****READ CYCLE 2 (CE# and CE2 and OE# Controlled) (1,3,4,5)**

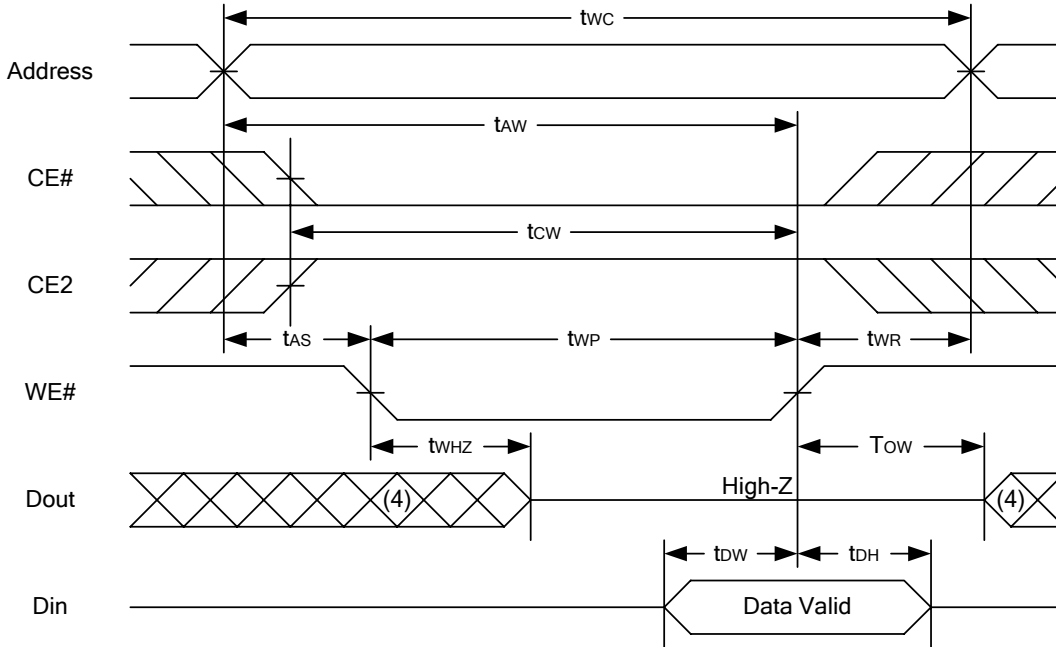
## Notes :

1. WE# is high for read cycle.
2. Device is continuously selected OE# = low, CE# = low, CE2 = high.
3. Address must be valid prior to or coincident with CE# = low, CE2 = high; otherwise  $t_{AA}$  is the limiting parameter.
4.  $t_{CLZ}$ ,  $t_{OLZ}$ ,  $t_{CHZ}$  and  $t_{OHZ}$  are specified with  $C_L = 5\text{pF}$ . Transition is measured  $\pm 500\text{mV}$  from steady state.
5. At any given temperature and voltage condition,  $t_{CHZ}$  is less than  $t_{CLZ}$ ,  $t_{OHZ}$  is less than  $t_{OLZ}$ .

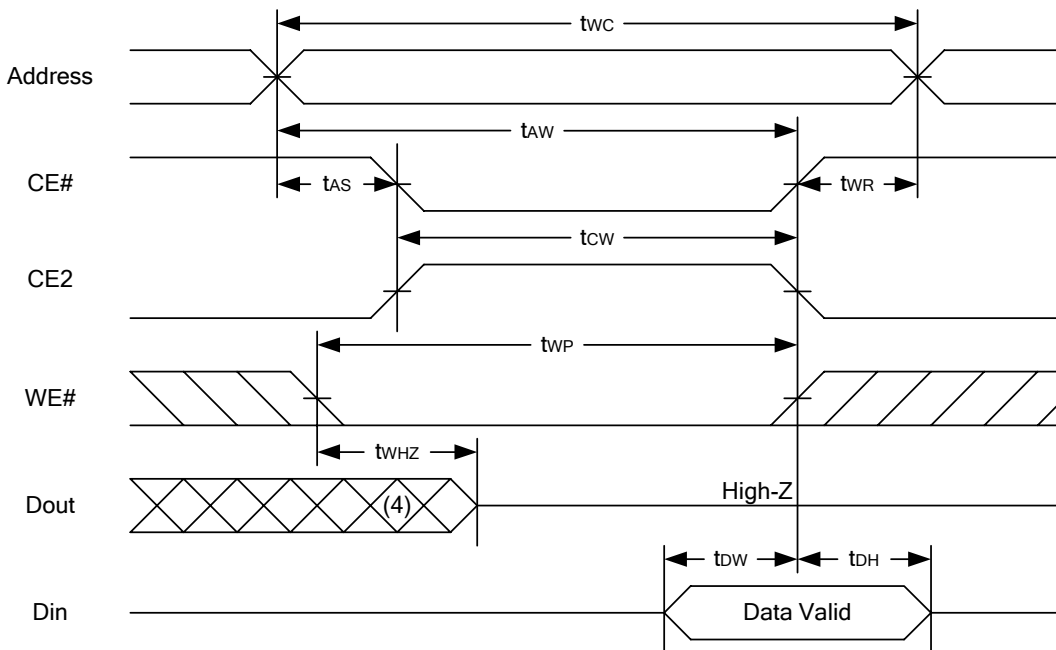


128K X 8 BIT LOW POWER CMOS SRAM

**WRITE CYCLE 1 (WE# Controlled) (1,2,3,5,6)**



**WRITE CYCLE 2 (CE# and CE2 Controlled) (1,2,5,6)**



Notes :

1. WE#, CE# must be high or CE2 must be low during all address transitions.
2. A write occurs during the overlap of a low CE#, high CE2, low WE#.
3. During a WE#-controlled write cycle with OE# low, twp must be greater than twhz + tdw to allow the drivers to turn off and data to be placed on the bus.
4. During this period, I/O pins are in the output state, and input signals must not be applied.
5. If the CE# low transition and CE2 high transition occurs simultaneously with or after WE# low transition, the outputs remain in a high impedance state.
6. tow and twhz are specified with CL = 5pF. Transition is measured ±500mV from steady state.

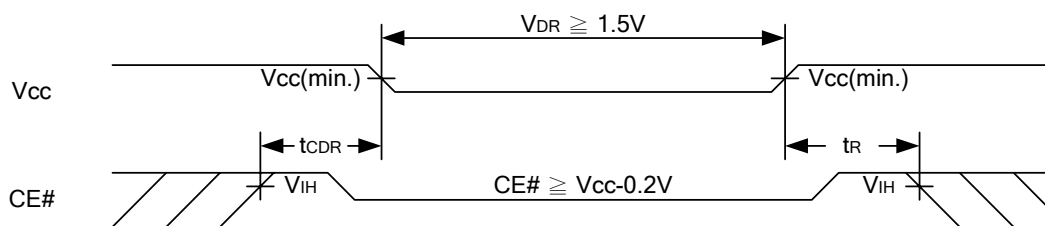
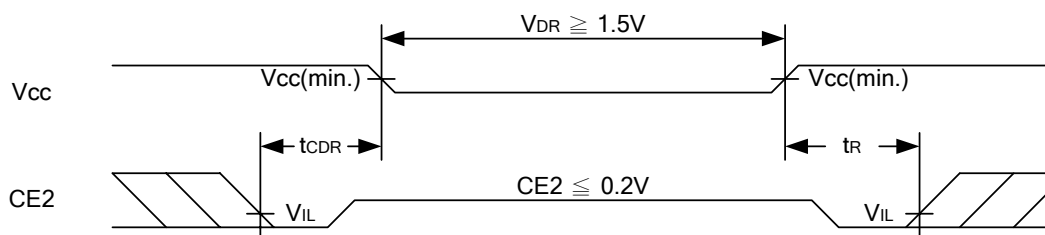


## 128K X 8 BIT LOW POWER CMOS SRAM

**DATA RETENTION CHARACTERISTICS**

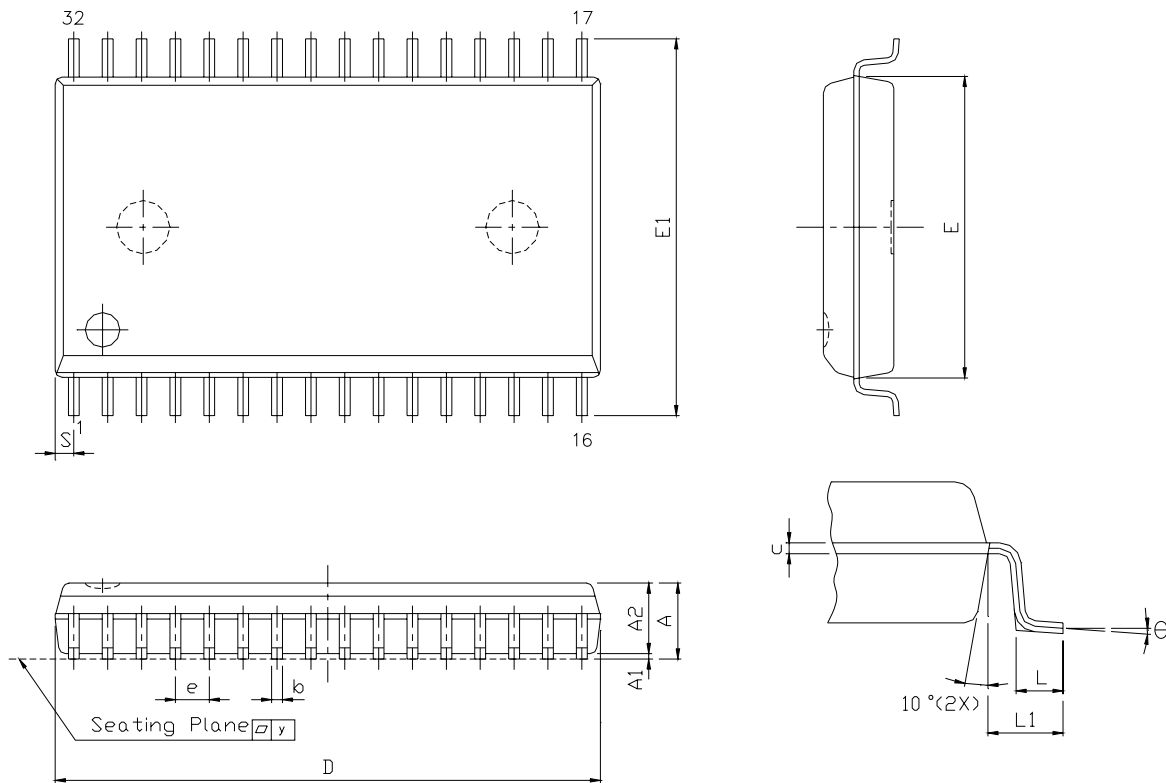
PARAMETER	SYMBOL	TEST CONDITION	MIN.	TYP.	MAX.	UNIT	
V <sub>CC</sub> for Data Retention	V <sub>DR</sub>	CE# $\geq$ V <sub>CC</sub> - 0.2V or CE2 $\leq$ 0.2V	1.5	-	5.5	V	
Data Retention Current	I <sub>DR</sub>	V <sub>CC</sub> = 1.5V CE# $\geq$ V <sub>CC</sub> - 0.2V or CE2 $\leq$ 0.2V	C**	-	0.5	12	$\mu$ A
			I**		0	30	$\mu$ A
Chip Disable to Data Retention Time	t <sub>CDR</sub>	See Data Retention Waveforms (below)	0	-	-	ns	
Recovery Time	t <sub>R</sub>		t <sub>RC*</sub>	-	-	ns	

t<sub>RC\*</sub> = Read Cycle Time C=Commercial temp/I = Industrial temp\*\*

**DATA RETENTION WAVEFORM****Low V<sub>CC</sub> Data Retention Waveform (1) (CE# controlled)****Low V<sub>CC</sub> Data Retention Waveform (2) (CE2 controlled)**



## 128K X 8 BIT LOW POWER CMOS SRAM

**PACKAGE OUTLINE DIMENSION****32 pin 450 mil SOP Package Outline Dimension**

SYM.	UNIT	INCH.(BASE)	MM(REF)
A		0.118 (MAX)	2.997 (MAX)
A1		0.004(MIN)	0.102(MIN)
A2		0.111(MAX)	2.82(MAX)
b		0.016(TYP)	0.406(TYP)
c		0.008(TYP)	0.203(TYP)
D		0.817(MAX)	20.75(MAX)
E		0.445 ±0.005	11.303 ±0.127
E1		0.555 ±0.012	14.097 ±0.305
e		0.050(TYP)	1.270(TYP)
L		0.0347 ±0.008	0.881 ±0.203
L1		0.055 ±0.008	1.397 ±0.203
S		0.026(MAX)	0.660 (MAX)
y		0.004(MAX)	0.101(MAX)
∅		0° -10°	0° -10°





128K X 8 BIT LOW POWER CMOS SRAM

32 pin 600 mil P-DIP Package Outline Dimension



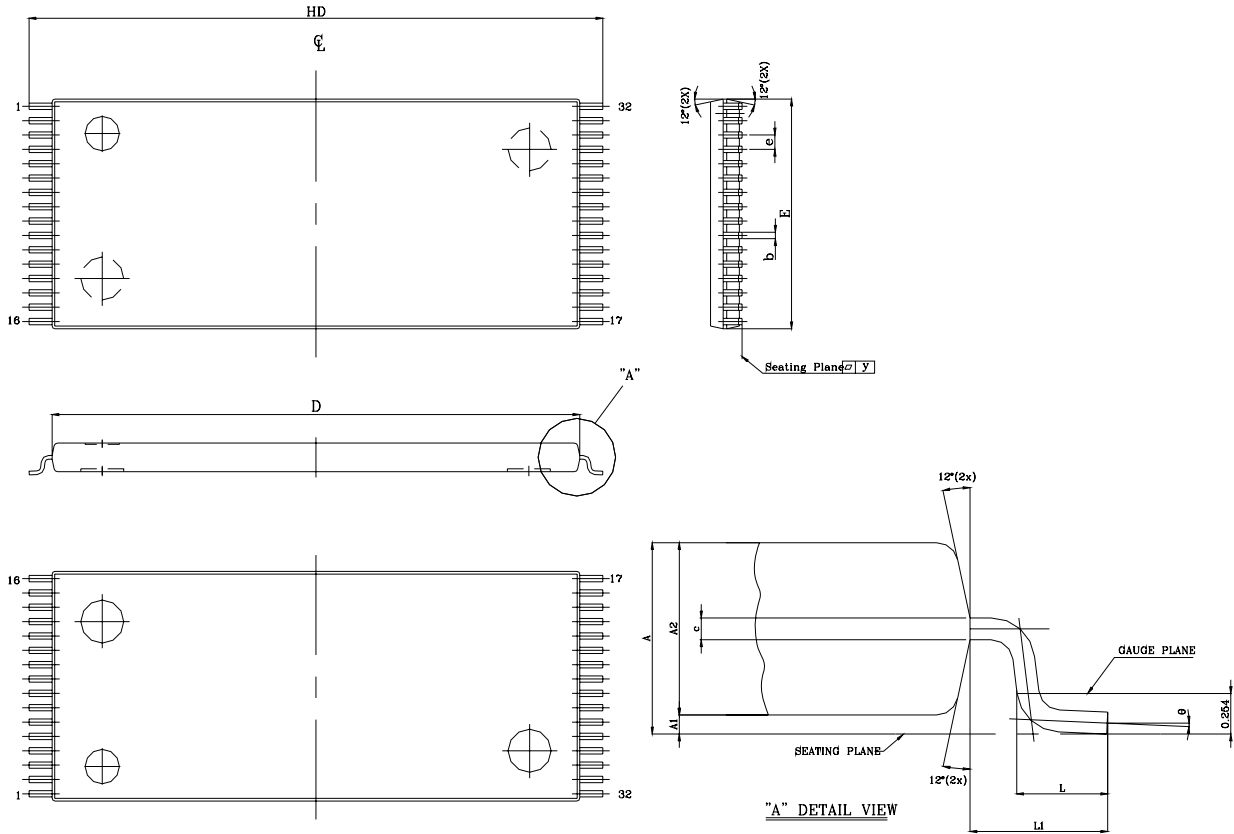
SYM. \ UNIT	INCH(BASE)	MM(REF)
A1	0.001 (MIN)	0.254 (MIN)
A2	0.150 ± 0.005	3.810 ± 0.127
B	0.018 ± 0.005	0.457 ± 0.127
D	1.650 ± 0.005	41.910 ± 0.127
E	0.600 ± 0.010	15.240 ± 0.254
E1	0.544 ± 0.004	13.818 ± 0.102
e	0.100 (TYP)	2.540 (TYP)
eB	0.640 ± 0.020	16.256 ± 0.508.
L	0.130 ± 0.010	3.302 ± 0.254
S	0.075 ± 0.010	1.905 ± 0.254
Q1	0.070 ± 0.005	1.778 ± 0.127

Note : D/E1/S dimension do not include mold flash.



128K X 8 BIT LOW POWER CMOS SRAM

32 pin 8mm x 20mm TSOP-I Package Outline Dimension

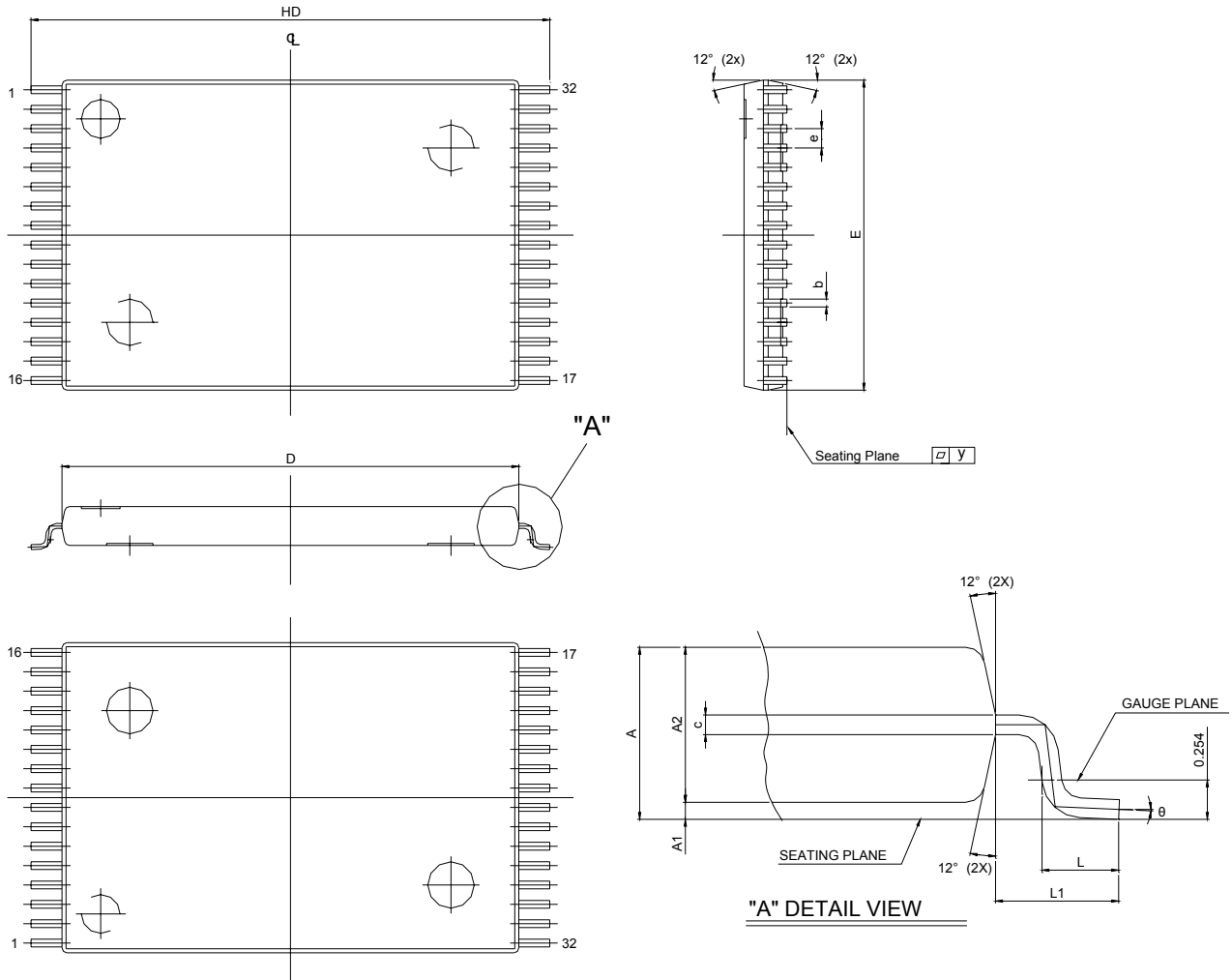


SYM.	UNIT	INCH(BASE)	MM(REF)
A		0.047 (MAX)	1.20 (MAX)
A1		0.004 ±0.002	0.10 ±0.05
A2		0.039 ±0.002	1.00 ±0.05
b		0.008 + 0.002 - 0.001	0.20 + 0.05 - 0.03
c		0.005 (TYP)	0.127 (TYP)
D		0.724 ±0.004	18.40 ±0.10
E		0.315 ±0.004	8.00 ±0.10
e		0.020 (TYP)	0.50 (TYP)
HD		0.787 ±0.008	20.00 ±0.20
L		0.0197 ±0.004	0.50 ±0.10
L1		0.0315 ±0.004	0.08 ±0.10
y		0.003 (MAX)	0.076 (MAX)
θ		0° ~ 5°	0° ~ 5°



128K X 8 BIT LOW POWER CMOS SRAM

32 pin 8mm x 13.4mm sTSSOP Package Outline Dimension

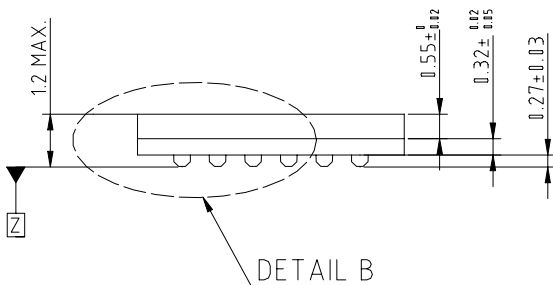
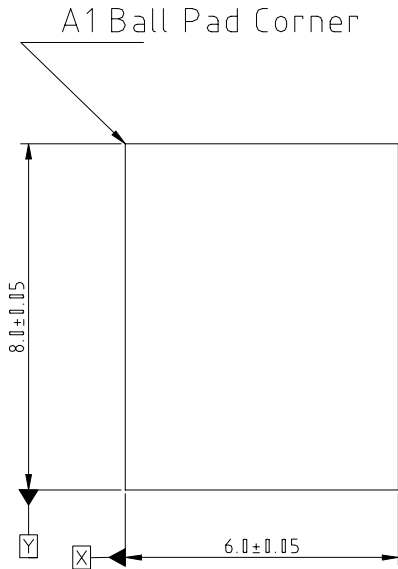


SYM.	UNIT	INCH(BASE)	MM(REF)
A		0.049 (MAX)	1.25 (MAX)
A1		0.005 ±0.002	0.130 ±0.05
A2		0.039 ±0.002	1.00 ±0.05
b		0.008 ±0.01	0.20±0.025
c		0.005 (TYP)	0.127 (TYP)
D		0.465 ±0.004	11.80 ±0.10
E		0.315 ±0.004	8.00 ±0.10
e		0.020 (TYP)	0.50 (TYP)
HD		0.528±0.008	13.40 ±0.20.
L		0.0197 ±0.004	0.50 ±0.10
L1		0.0315 ±0.004	0.8 ±0.10
y		0.003 (MAX)	0.076 (MAX)
θ		0°~5°	0°~5°



128K X 8 BIT LOW POWER CMOS SRAM

36 ball 6mm x 8mm TFBGA Package Outline Dimension



SIDE VIEW





## 128K X 8 BIT LOW POWER CMOS SRAM

**ORDERING INFORMATION**

## Ordering Codes

Alliance	Organization	VCC range	Package	Operating Temp	Speed ns
AS6C1008-55PCN	128K X 8	2.7-5.5V	32pin 600mil PDIP	Commercial ~ 0° C to 70° C	55
AS6C1008-55PIN	128K X 8	2.7-5.5V	32pin 600mil PDIP	Industrial ~ -40°C to 85° C	55
AS6C1008-55SIN	128K X 8	2.7-5.5V	32pin 450mil SOP	Industrial ~ -40°C to 85° C	55
AS6C1008-55TIN	128K X 8	2.7-5.5V	32pin TSOP-I (8 x 20 mm)	Industrial ~ -40°C to 85° C	55
AS6C1008-55STIN	128K X 8	2.7-5.5V	32pin sTSOP (8 x 13.4 mm)	Industrial ~ -40°C to 85° C	55
AS6C1008-55BIN	128K X 8	2.7-5.5V	36pin TFBGA (6mm x 8mm)	Industrial ~ -40°C to 85° C	55

## Part numbering system

AS6C	1008	- 55	X	X	N
low power SRAM prefix	Device Number 10 = 1M 08 = by 8	Access Time	Package Options: P = 32 pin 600 mil P-DIP S = 32 pin 450 mil SOP T = 32 pin TSOP-I (8mm x 20 mm) ST = 32 pin sTSOP (8 x 13.4 mm) B = 36 ball 6 x 8mm TFBGA	Temperature Range: C = Commercial (0°C to +70° C) I = Industrial (-40° to +85° C)	N = Lead Free ROHS Compliant Part

## 128K X 8 BIT LOW POWER CMOS SRAM



Alliance Memory, Inc.  
1116 South Amphlett, #2,  
San Mateo, CA 94402  
Tel: 650-525-3737  
Fax: 650-525-0449  
[www.alliancememory.com](http://www.alliancememory.com)

Copyright © Alliance Memory  
All Rights Reserved  
Part Number: AS6C1008  
Document Version: v. 1.0

© Copyright 2003 Alliance Memory, Inc. All rights reserved. Our three-point logo, our name and Intelliwatt are trademarks or registered trademarks of Alliance. All other brand and product names may be the trademarks of their respective companies. Alliance reserves the right to make changes to this document and its products at any time without notice. Alliance assumes no responsibility for any errors that may appear in this document. The data contained herein represents Alliance's best data and/or estimates at the time of issuance. Alliance reserves the right to change or correct this data at any time, without notice. If the product described herein is under development, significant changes to these specifications are possible. The information in this product data sheet is intended to be general descriptive information for potential customers and users, and is not intended to operate as, or provide, any guarantee or warranty to any user or customer. Alliance does not assume any responsibility or liability arising out of the application or use of any product described herein, and disclaims any express or implied warranties related to the sale and/or use of Alliance products including liability or warranties related to fitness for a particular purpose, merchantability, or infringement of any intellectual property rights, except as expressly agreed to in Alliance's Terms and Conditions of Sale (which are available from Alliance). All sales of Alliance products are made exclusively according to Alliance's Terms and Conditions of Sale. The purchase of products from Alliance does not convey a license under any patent rights, copyrights, mask works rights, trademarks, or any other intellectual property rights of Alliance or third parties. Alliance does not authorize its products for use as critical components in life-supporting systems where a malfunction or failure may reasonably be expected to result in significant injury to the user, and the inclusion of Alliance products in such life-supporting systems implies that the manufacturer assumes all risk of such use and agrees to indemnify Alliance against all claims arising from such use.