

# F and R Series Heatsinks

For TO-218, TO-220 and TO-247 devices

## FEATURES

- For vertical mounting with solderable pins
- For TO-220, TO-218, TO-247



## SERIES SPECIFICATIONS

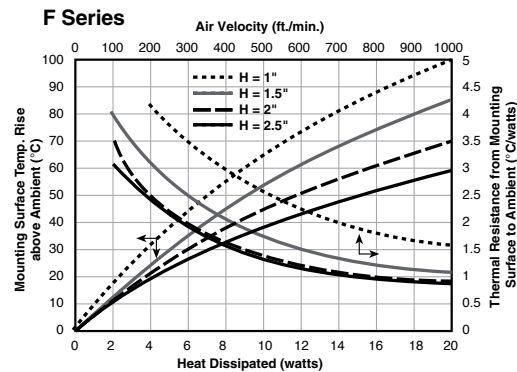
Heatsink Part Number	Height (in. $\pm$ .010 / mm $\pm$ .25)	For Package Type	Ohmite Resistor Series	Surface Area (mm <sup>2</sup> )	Weight (g)	Thermal Res.* (°C/W)
RA-T2X-25E	1.0/25.4	TO-220, -218, -247	TBH25,TCH35, TEH70, TEH100	8,901	25	4.8
RA-T2X-38E	1.5/38.1	TO-220, -218, -247	TBH25,TCH35, TEH70, TEH100	12,983	38	3.9
RA-T2X-51E	2.0/50.8	TO-220, -218, -247	TBH25,TCH35, TEH70, TEH100	17,065	51	3.5
RA-T2X-64E	2.5/63.5	TO-220, -218, -247	TBH25,TCH35, TEH70, TEH100	21,148	63	3.1
FA-T220-25E	1.0 / 25.4	TO-220, -218, -247	TBH25,TCH35, TEH70, TEH100	9,285	18	4.7
FA-T220-38E	1.5 / 38.1	TO-220, -218, -247	TBH25,TCH35, TEH70, TEH100	13,756	27	3.8
FA-T220-51E	2.0 / 50.8	TO-220, -218, -247	TBH25,TCH35, TEH70, TEH100	18,222	37	3.4
FA-T220-64E	2.5 / 63.5	TO-220, -218, -247	TBH25,TCH35, TEH70, TEH100	22,814	46	3

\*Natural convection

## CHARACTERISTICS

<b>Finish</b>	Black anodized
<b>Material</b>	6063-T5 aluminum
<b>Solder</b>	100% Tin (Sn)
<b>PC board attachment</b>	0.091" dia. pre-tinned pins.

## Heat Dissipation



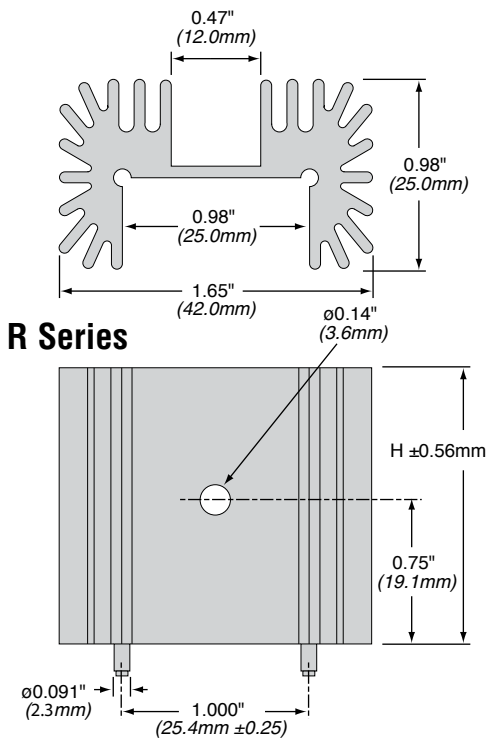
(continued)

# F and R Series Heatsinks

For TO-218, TO-220 and TO-247 devices

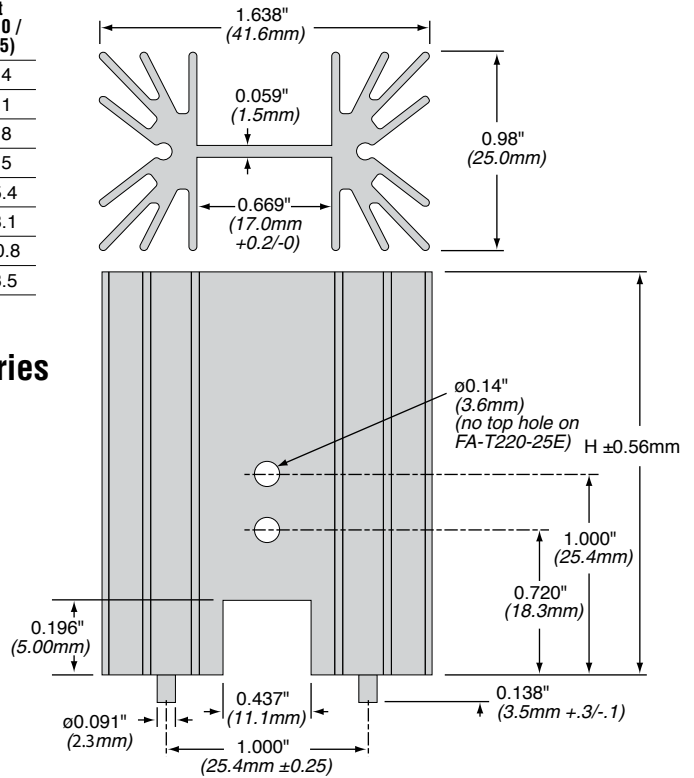
## DIMENSIONS

(in./mm)



Part Number	Height (in. ± 0.010 / mm ± 0.25)
RA-T2X-25E	1.0/25.4
RA-T2X-38E	1.5/38.1
RA-T2X-51E	2.0/50.8
RA-T2X-64E	2.5/63.5
FA-T220-25E	1.0 / 25.4
FA-T220-38E	1.5 / 38.1
FA-T220-51E	2.0 / 50.8
FA-T220-64E	2.5 / 63.5

## F Series



**NOTICE:**  
Dimensional  
change.  
Dimensions  
shown are for  
products pro-  
duced after  
September  
2012

## ORDERING INFORMATION

Series T2X = R Series  
F or R T220 = F Series RoHS Compliant

**RA - T2X - 25E**

Finish: A = black anodized, V = degreased  
Height (mm): 25

### Standard part numbers

Part Number	Description	Packaging
RA-T2X-25E	Heat sink for TO-220, TO-218, TO-247, Black Anodized	Bulk
RA-T2X-38E	Heat sink for TO-220, TO-218, TO-247, Black Anodized	Bulk
RA-T2X-51E	Heat sink for TO-220, TO-218, TO-247, Black Anodized	Bulk
RA-T2X-64E	Heat sink for TO-220, TO-218, TO-247, Black Anodized	Bulk
FA-T220-25E	Heat sink for TO-220, TO-218, TO-247, Black Anodized	Bulk
FA-T220-38E	Heat sink for TO-220, TO-218, TO-247, Black Anodized	Bulk
FA-T220-51E	Heat sink for TO-220, TO-218, TO-247, Black Anodized	Bulk
FA-T220-64E	Heat sink for TO-220, TO-218, TO-247, Black Anodized	Bulk