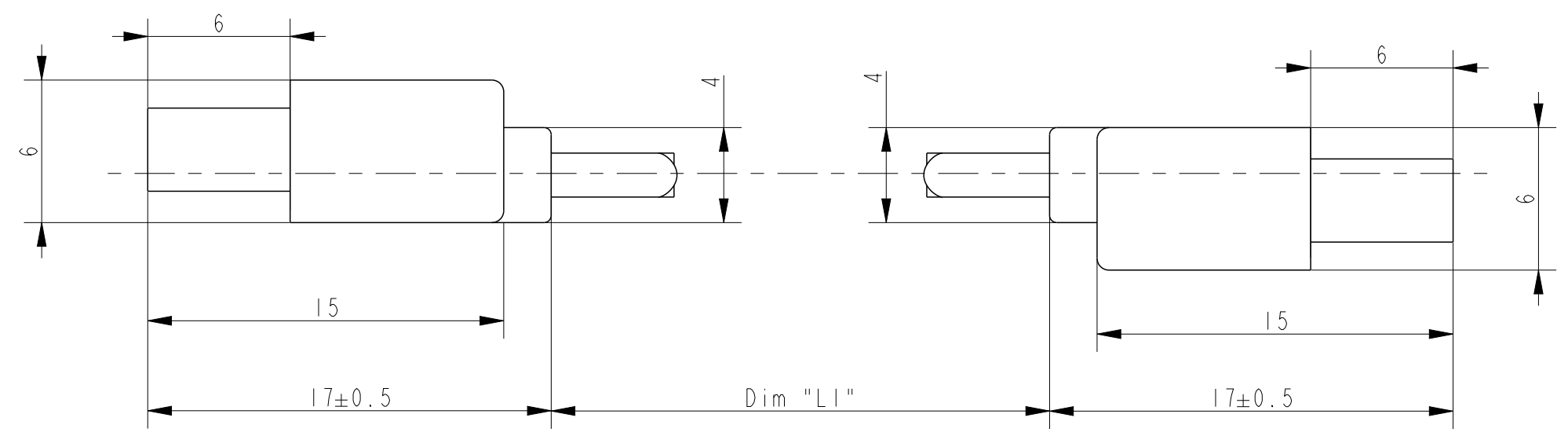
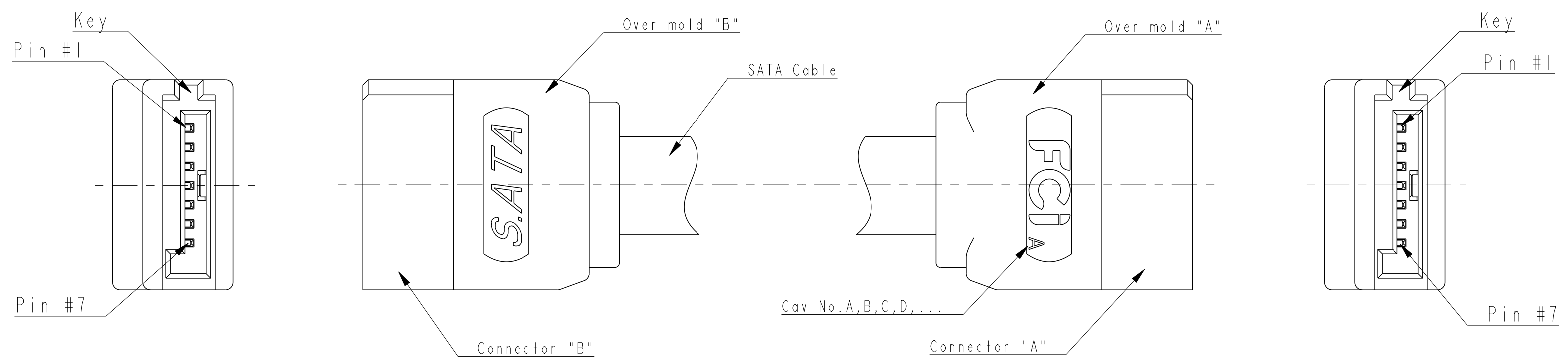
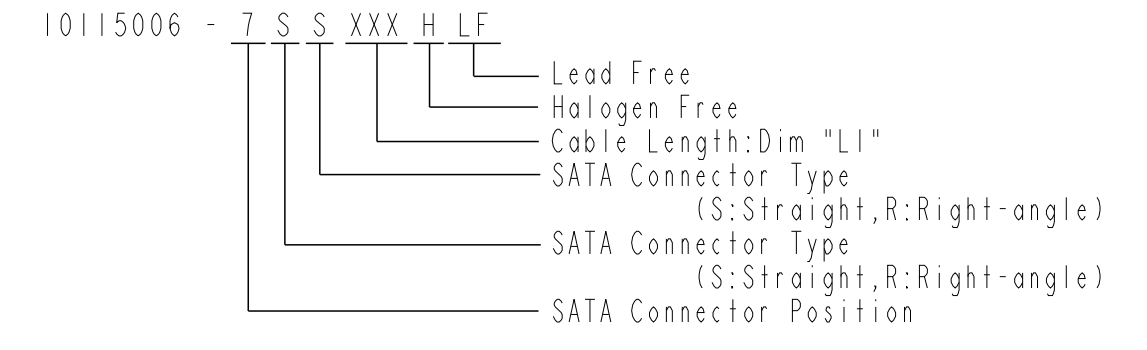


Product No.	Dim "L1"	Connector "A" and "B"	Over mold "A" and "B"	SATA Cable	Solder	Remarks
10115006-7SSXXHLF	XXX±10	SATA 7P Receptacle connector Straight type Housing,Back Cover: Heat resistant resin, Halogen Free, UL94V-0, Color Black Contact: Copper Alloy Contact Area:Gold plating over Ni plating	Heat resistant resin, Halogen Free, UL94V-0, Color Black	80°C 30V AWG30 Halogen Free,VW-1, with F mark, Color Black	Sn96.5-Ag3.0-Cu0.5 Lead Free	For Product No. composition, see NOTE 7.

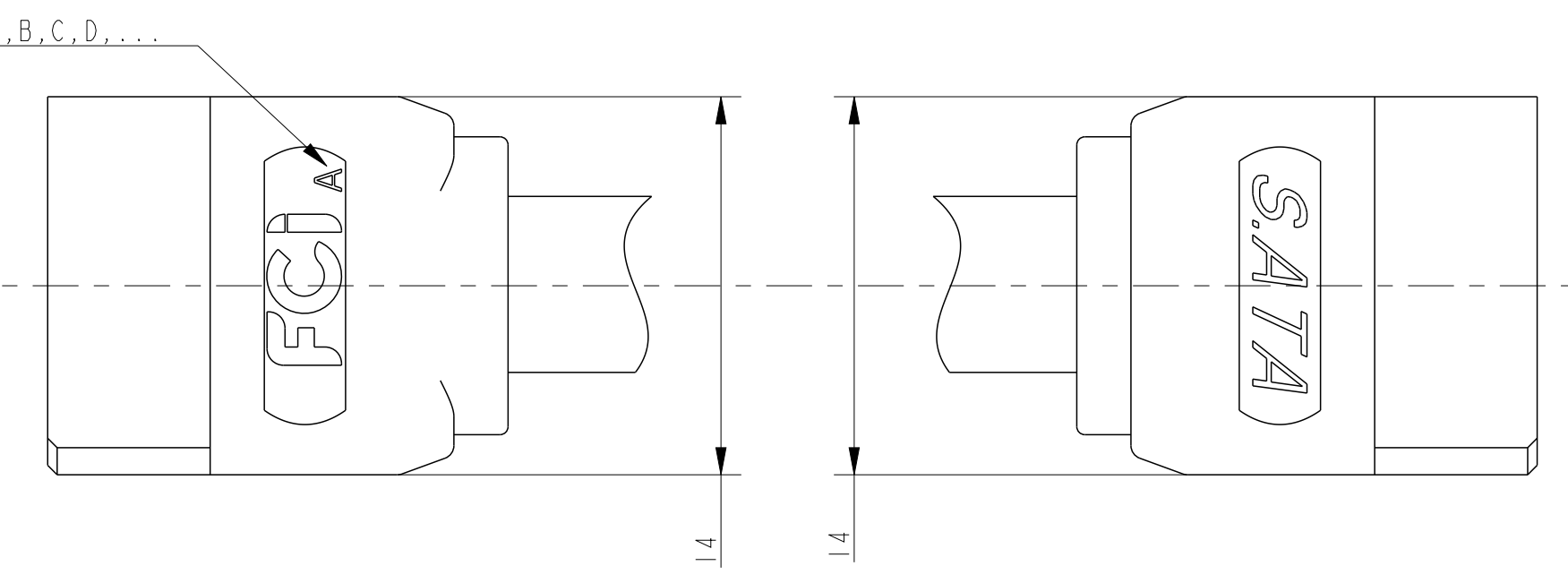


NOTE)
 1) This product is based on Serial ATA Revision 3.0.
 2) This product is manufactured by soldering process.
 3) About the Dim "L1" length, please inquire to sales person in our company.
 4) Product SPEC:GS-12-672
 5) Package SPEC:GS-14-1056
 6) Application SPEC:GS-20-138
 7) Product No. composition



Wiring Table:
Pin Assignment

Connector "B"		Connector "A"	
Type	Pin #	Key	Pin #
GND	#1	Key	#1
A+	#2		#2
A-	#3		#3
GND	#4		#4
B-	#5		#5
B+	#6		#6
GND	#7		#7



spec ref	dr T Ishihita	2011/09/30	projection	MM	size A2	scale 4.000		
tolerance std	eng T Ishihita	2015/05/11			ecn no ELX-J-20855-1	rel level Released		
ISO 406 ISO 1101	chr -	2015/05/12					product family	
TOLERANCES UNLESS OTHERWISE SPECIFIED	appr Naotaka Sasame				title SATA 7P Signal Cable Harness Straight/Straight Lowpro	dwg no 10115006 rev C		
surface ISO 1302	linear	0.X ±0.4 0.XX ±0.4 0.XXX ±0.4	angular	0° ±4°	www.fci.com	cat. no.	Product - Customer Drw	sheet 1 of 1

Copyright FCI.