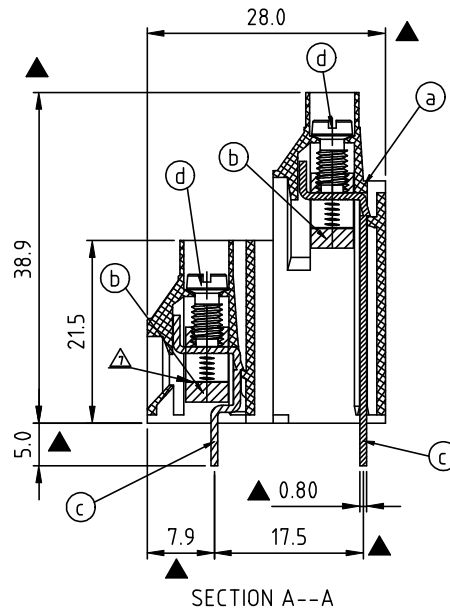
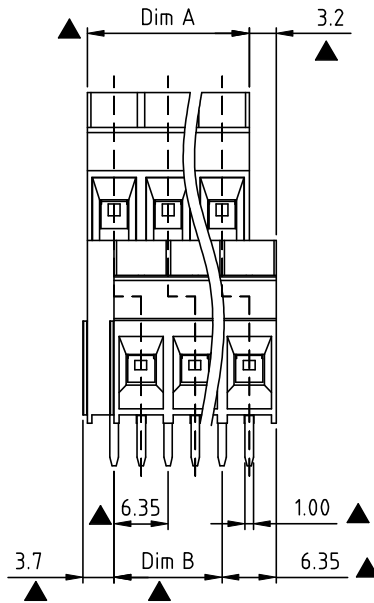
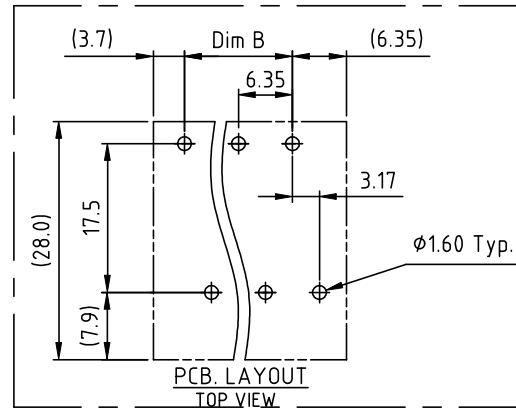
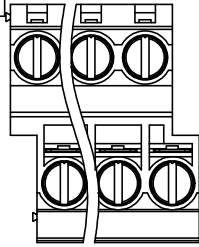


RoHS Compliant



SIGN	DATE	DESCRIPTION	APPROVER
△	6/22'06	Touque is changed from 3.5Lb-In to 5.2Lb-In	Marvin
△	01/18'07	Soldering temperature changed from 245° to 260°	Tason
△	01/18'07	Part NO is Changed	Tason
△	11/16'07	Screw is Changed from M3.0 to M3.5	Marvin
△	09/14'09	Operating temperature Changed	Aaron
△	09/14'09	Wire guard solder pin is Changed from Brass to Copper	Aaron
△	08/04'10	Clamp is changed	Aaron
△	06/03'15	Update the drawing	Airy min

THIS IS CAD DRAWING, DO NOT REVISE MANUALLY!!!

Material:

- Item④ Terminal housing:Thermoplastic (UL 94V-0)
 - Item⑤ Clamp: Brass ,Ni plated
 - △ Item③ Wire guard solder pin: Copper ,Tin plated
 - Item① Terminal screw: Steel Zinc plating"-slot type
- Electrical cULus

- Voltage rating: 300VAC
- Current rating: 30A
- Wire range:
- Solid wire(AWG): 10-30
- Stranded wire(AWG): 10-30
- △ ● Torque(Lb-In): 5.2
- △ ● Screw: M3.5
- Wire strip length: 10-11mm
- Withstanding Voltage: 1.6KV
- △ ● Operating temperature: -40°C to +115°C
- △ ● Soldering temperature: 260°C±5°C/5 Sec
- Safety approval: cULus
- Critical dimension: ▲

△ VV xx 01 x 0 xxxx G

G RoHS compliant
(lead<4%)
In copper Alloy

△ No. of poles end stackable design	0 Black (RAL9005)	0000 Standard @ Logo
04 2×2P POLES	2 Red (RAL3001/D)	000A Standard ANY Logo
06 2×3P POLES	3 Orange(RAL2011/P)	Any special item by customer request,
... ..	4 Yellow(RAL1018/A)	please contact sales department.
32 2×16P POLES	5 Green(RAL6018/T)	
	6 Blue (RAL5015/A)	
	8 Grey(RAL7035/D)	

Poles	2×2P	2×3P	2×4P	2×5P	2×6P	2×7P	2×8P	2×9P	2×10P	2×11P	2×12P	2×13P	2×14P	2×15P	2×16P	
Dim A	12.70	19.05	25.40	31.75	38.10	44.45	50.80	57.15	63.50	69.85	76.20	82.55	88.90	95.25	101.6	
Dim B	6.35	12.70	19.05	25.40	31.75	38.10	44.45	50.80	57.15	63.50	69.85	76.20	82.55	88.90	95.25	
TOL	±0.15								±0.25				±0.35			

Amphenol ANYTEK

CUSTOMER COPY

ALL RIGHTS RESERVED. REPRODUCTION OR ISSUE TO THIRD PARTIES IN ANY FORM WHATSOEVER IS NOT PERMITTED WITHOUT WRITTEN AUTHORITY FROM THE PROPRIETOR. PROPERTY OF ANYTEK TECHNOLOGY CO., LTD

TITLE		VV- 6.35mm series 2×2P-2×16P													
PART NO.		VVxx01x0xxxxG						DWG NO.		8VV0001					
APPROVED		CHECKED		DESIGNED		DRAWN		CUST NO.		Tolerance					
				Guoxue 2018.01.25		Guoxue 2018.01.25						UNIT: mm		X. ±0.50	
												SCALE: NONE		X.X ±0.30	
												REV.: H		X.XX ±0.10	
														X° ±1°	

SHEET: 01/01