

NOTES:

1. MATERIALS AND FINISHES:

HD-BNC STR PLUG - BRASS, NICKEL PLATING  
 BNC STR PLUG - BRASS, NICKEL PLATING  
 CABLE - BELDEN 1855A

2. ELECTRICAL:

A. IMPEDANCE: 75 OHM

3. MECHANICAL:

A. TEMPERATURE RANGE : -30°C TO +75°C

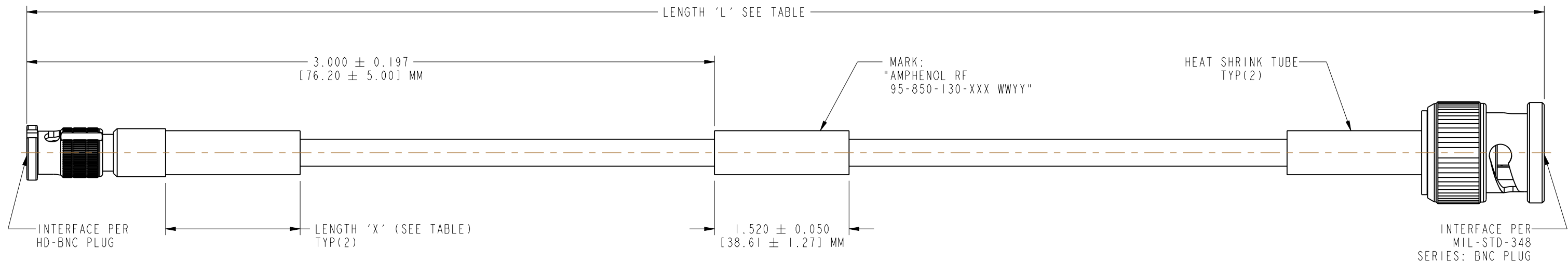
4. PACKAGING:

A. QUANTITY: SINGLE PACK  
 B. MARKING: BAG TO BE MARKED  
 "AMPHENOL RF, 95-850-130-XXX AND DATE CODE"

THIRD ANGLE PROJ.

REVISIONS

REV	DESCRIPTION	DATE	ECO	APPR
A	RELEASE TO MFG	10-Dec-12	49339	KR
E	24.00", 48.00", METRIC LENGTHS & HST LENGTHS ADDED IN LENGTH TABLE	12/7/16	2143	VK
F	METRIC PART NUMBERS UPDATED	2/28/17	3143	



LENGTH TABLE			
PART NUMBER (IMPERIAL)	PART NUMBER (METRIC)	LENGTH 'L' IN INCHES [METERS]	LENGTH 'X' IN INCHES [METERS] MIN
95-850-130-006	-	6.00 [0.152]	0.75 [0.019]
-	95-850-130M025	9.84 [0.250]	
-	95-850-130M030	11.81 [0.300]	
95-850-130-012	-	12.00 [0.305]	
95-850-130-018	-	18.00 [0.457]	
-	95-850-130M050	19.69 [0.500]	1.50 [0.038]
95-850-130-024	-	24.00 [0.610]	
-	95-850-130M075	29.53 [0.750]	
95-850-130-036	-	36.00 [0.914]	
-	95-850-130M100	39.37 [1.000]	
95-850-130-048	-	48.00 [1.219]	
-	95-850-130M125	49.21 [1.250]	
-	95-850-130M150	59.05 [1.500]	
95-850-130-072	-	72.00 [1.829]	
-	95-850-130M200	78.74 [2.000]	
-	95-850-130M300	118.11 [3.000]	
-	95-850-130M400	157.48 [4.000]	
-	95-850-130M500	196.85 [5.000]	

TOLERANCE TABLE	
LENGTH IN INCHES/FT [METERS]	TOLERANCE
0" - 23.90" [0 - 0.607]	±0.25" [0.006]
24.00" - 59.00" [0.610 - 1.499]	±0.50" [0.013]
5.0' - 24.9' [1.524 - 7.617]	±2.5%
25.0' & UP [7.620 & UP]	±5.0%

DESIGN REQUIREMENTS:

<input checked="" type="checkbox"/> FREQUENCY : DC TO 3 GHz	<input checked="" type="checkbox"/> CONTINUITY
<input type="checkbox"/> VSWR : 1 MAX	<input checked="" type="checkbox"/> HI-POT: 750 VRMS
<input type="checkbox"/> INS. LOSS: dB MAX	<input type="checkbox"/> OTHER

**CUSTOMER OUTLINE DRAWING**  
 ALL OTHER SHEETS ARE FOR INTERNAL USE ONLY

UNLESS OTHERWISE SPECIFIED, DIMENSIONS ARE IN INCHES AND TOLERANCES ARE: 2 PLACE DECIMAL 3 PLACE DECIMAL ANGLES ±.015 (0.381 mm) ±.005 (0.127 mm) ± 1°	MATERIAL	DRAWN	DATE	TITLE HD-BNC STR PLUG TO BNC STR CRIMP PLUG USING BELDEN 1855A CABLE, VARIOUS LENGTH SCALE: 1.8:1.0 SHEET 2 OF 2		Amphenol RF www.amphenolrf.com	
	SEE NOTES	ABHAYA KISHORE	12-Nov-15				
NOTICE - These drawings, specifications, or other data (1) are, and remain the property of Amphenol corp. (2) must be returned upon request; and (3) are confidential and not to be disclosed to any person other than those to whom they are given by Amphenol Corp. the furnishing of these drawings, specifications, or other data by Amphenol Corp., or to any other person to anyone for any purpose is not to be regarded by implication or otherwise in any manner licensing, granting rights to permitting such holder or any other person to manufacture, use or sell any product, process or design, patented or otherwise, that may in any way be related to or disclosed by said drawings, specifications, or other data.	REFERENCE	ENGINEER	DATE	DRAWING NO. 95-850-130-XXX ITEM NO. 95-850-130-XXX		PART NO. 95-850-130-XXX	
	EAR # 7307	ABHAYA KISHORE	19-Jan-12				
	CONFIGURATION LEVEL: In Work	APPROVED	K. CAPOZZI	DATE	DWG SIZE B REV F		
FINISH	CAD FILE		28-Feb-17				