



PART NAME

## EXTRUDED ALUMINUM IP65 PCB ENCLOSURES

PART No.

EXN-23353 (SEE TABULATION FOR COMBINATIONS)

REVISION DATE

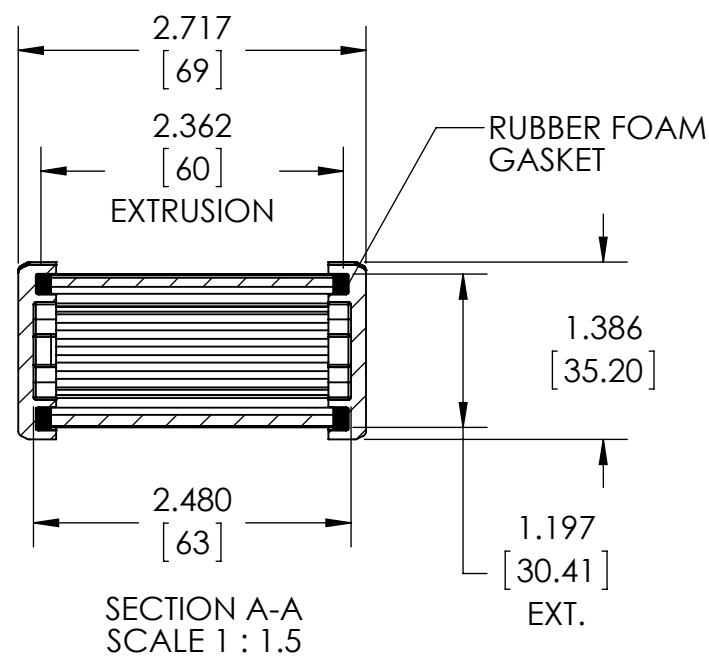
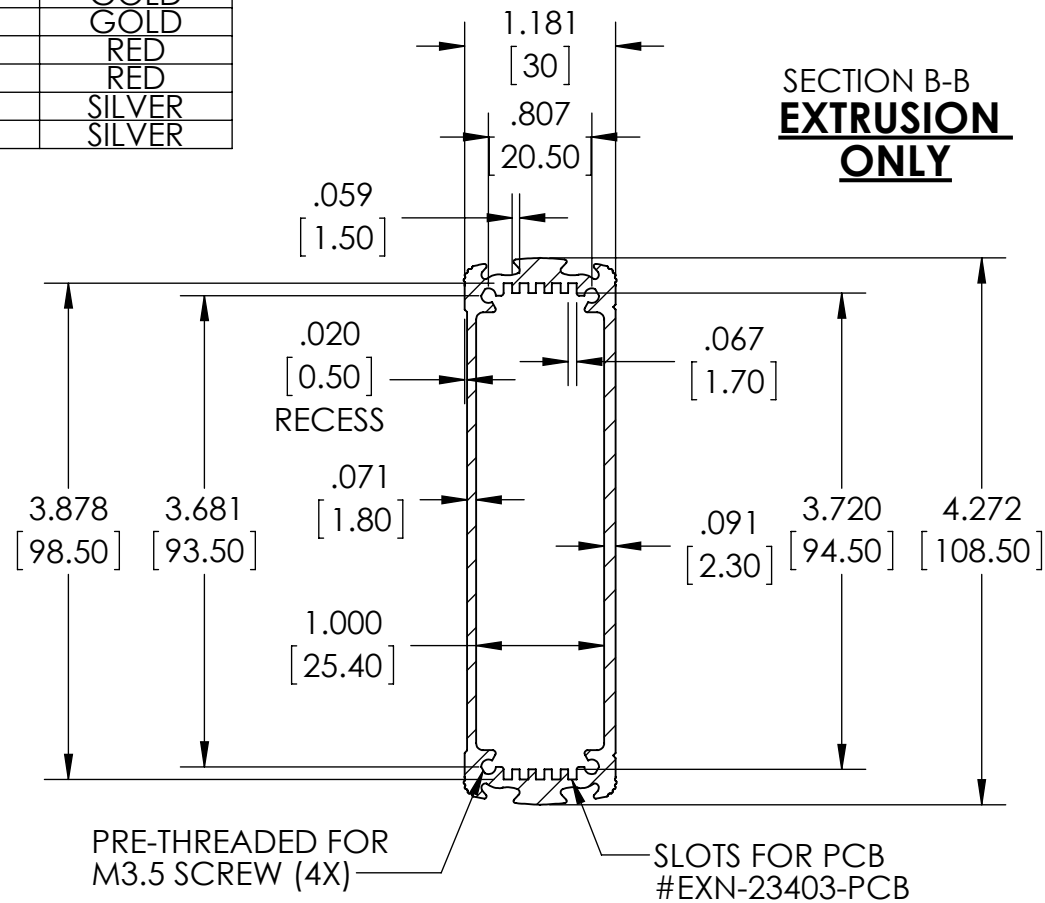
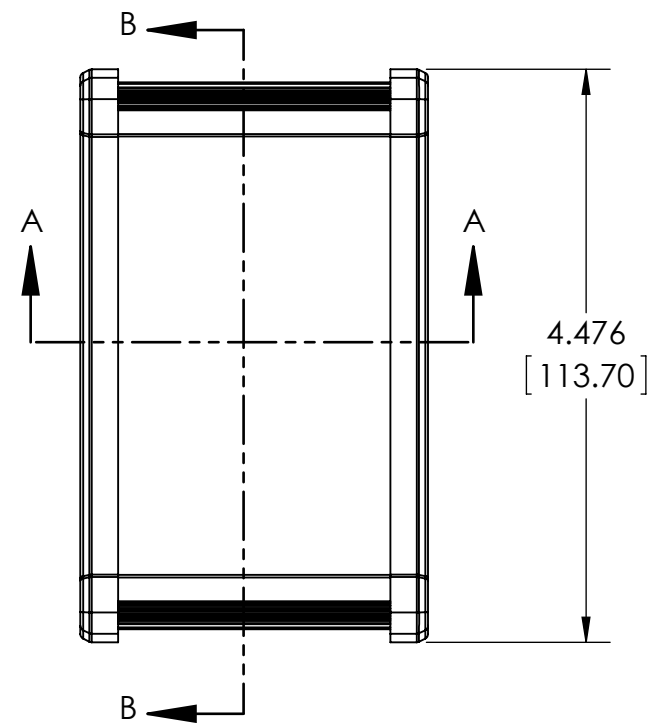
10-23-15

PART NUMBER	ALUM. COVER	PLASTIC COVER	BODY COLOR
EXN-23353-BK	BLACK	-	BLACK
EXN-23353-BKP	-	BLACK	BLACK
EXN-23353-BL	BLACK	-	BLUE
EXN-23353-BLP	-	TRANSLUCENT BLUE	BLUE
EXN-23353-GD	BLACK	-	GOLD
EXN-23353-GDP	-	CLEAR	GOLD
EXN-23353-RD	BLACK	-	RED
EXN-23353-RDP	-	IR RED	RED
EXN-23353-SV	BLACK	-	SILVER
EXN-23353-SVP	-	CLEAR	SILVER

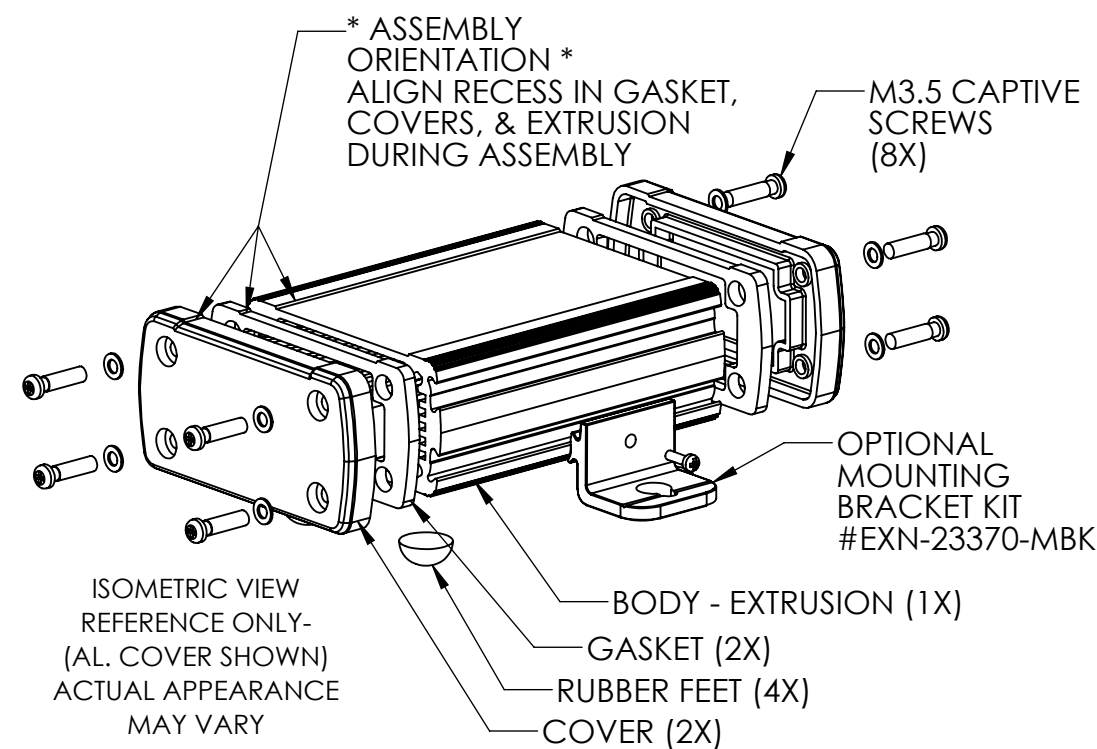
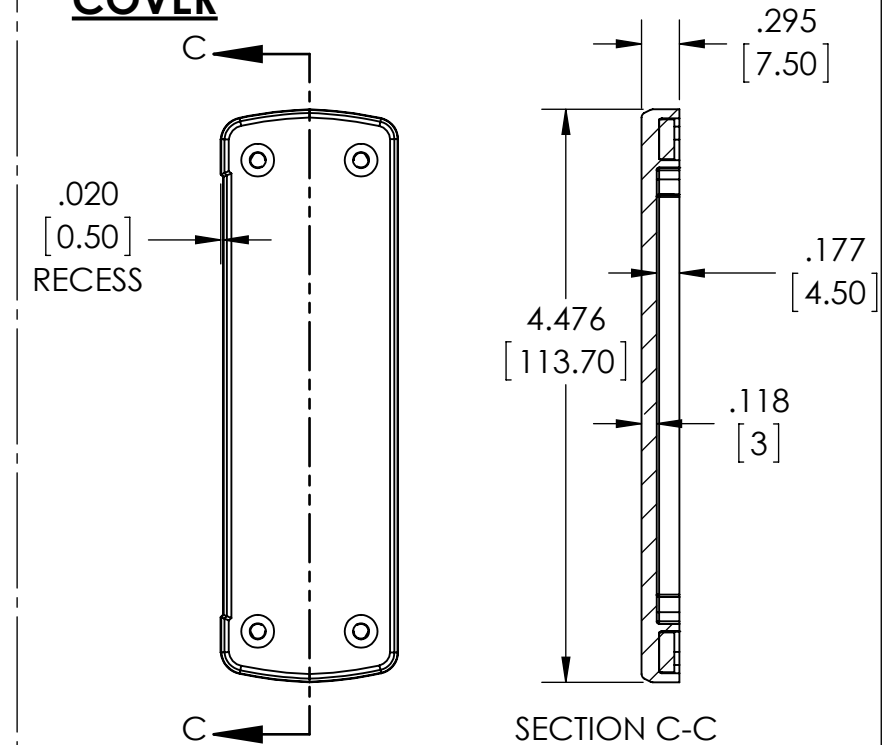
MATERIAL: ALUMINUM EXTRUSION BODY PROVIDED  
ALUMINUM COVER (2X) AND GASKETS OR  
POLYCARBONATE COVER (2X) AND GASKETS - NOT ASSEMBLED

DIMENSIONS ARE INCH[MM]

**DRAWING FOR REFERENCE**  
WE RESERVE THE RIGHT TO MAKE CHANGES TO OUR  
STANDARD PRODUCTS. PLEASE CONSULT WITH BUD INDUSTRIES  
PRIOR TO USING THIS DRAWING FOR DESIGN PURPOSE.



DIMENSIONS MAY VARY DEPENDING ON  
THE COMPRESSION OF THE GASKETS

**DIE CAST ALUMINUM COVER****PLASTIC COVER**