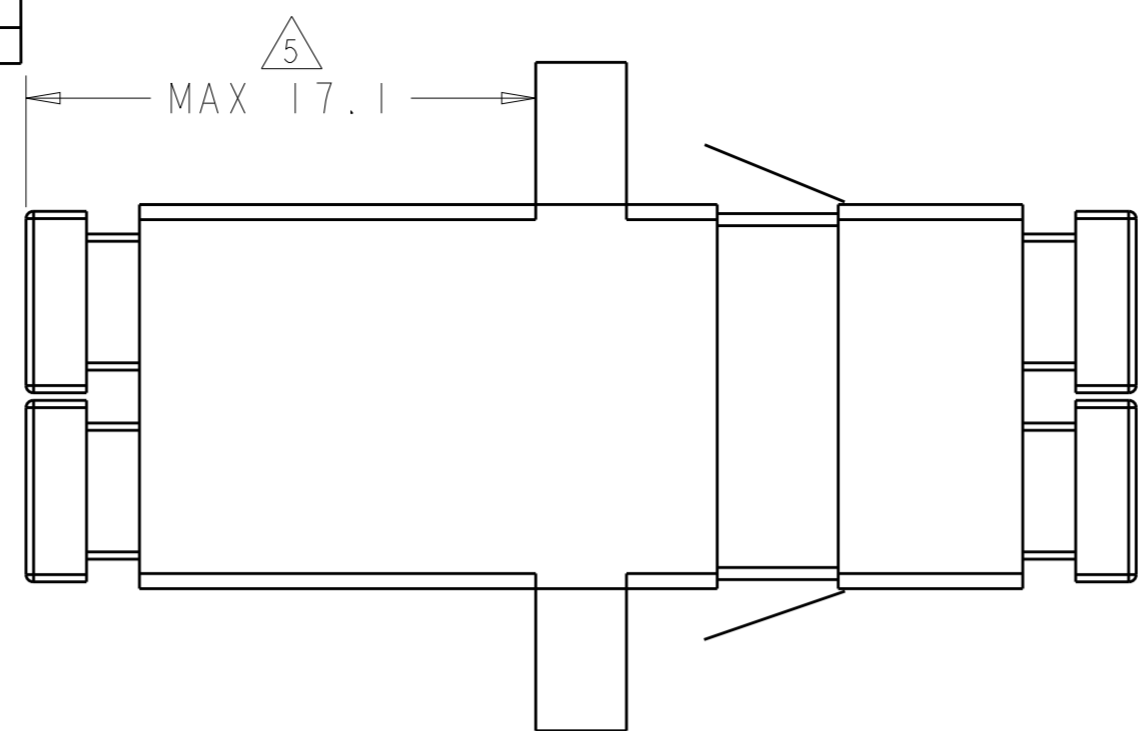


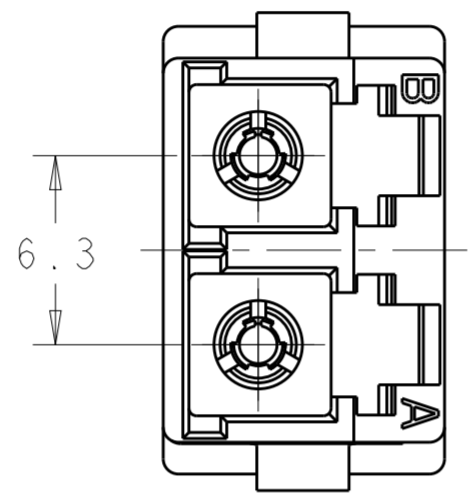
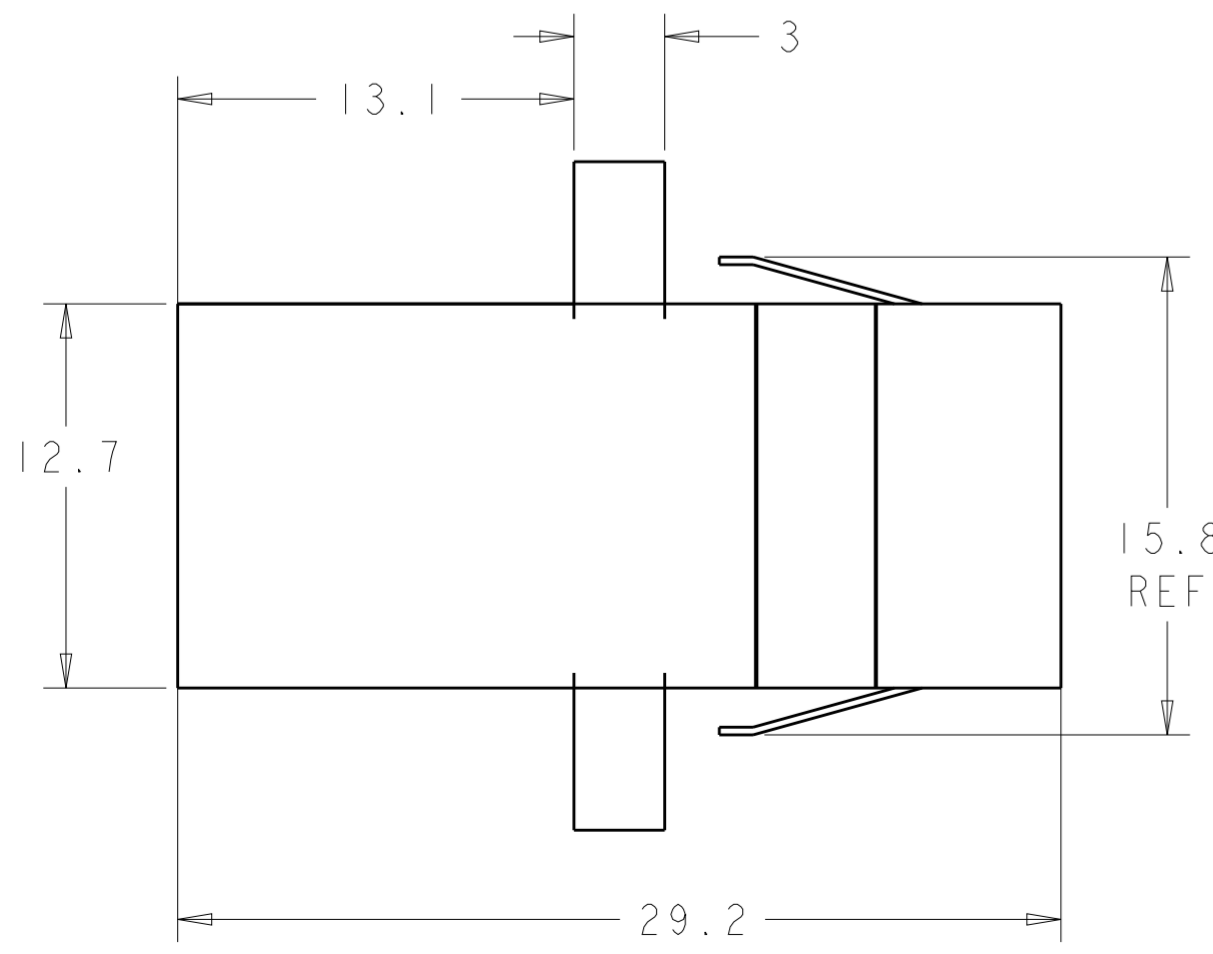
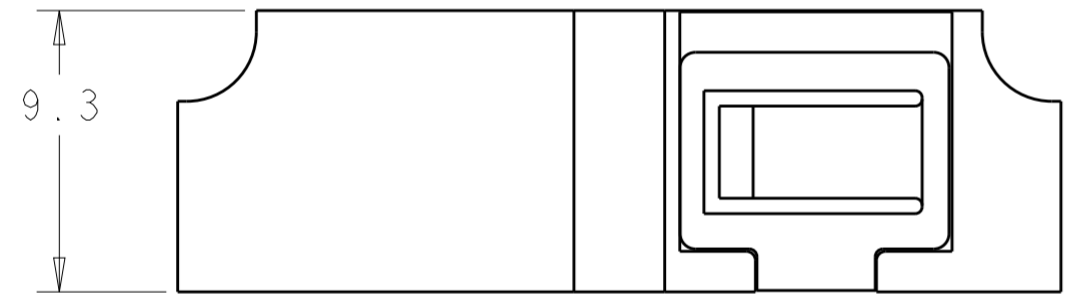
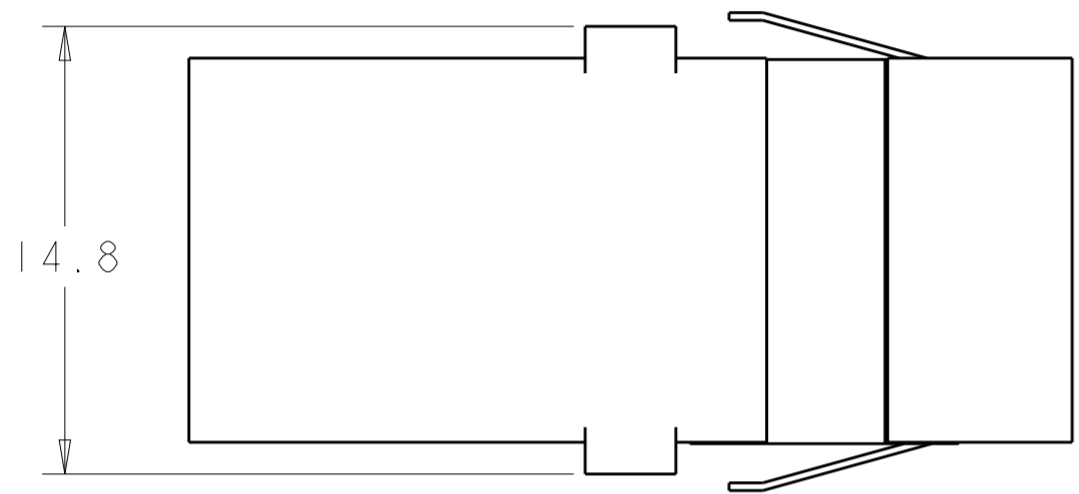
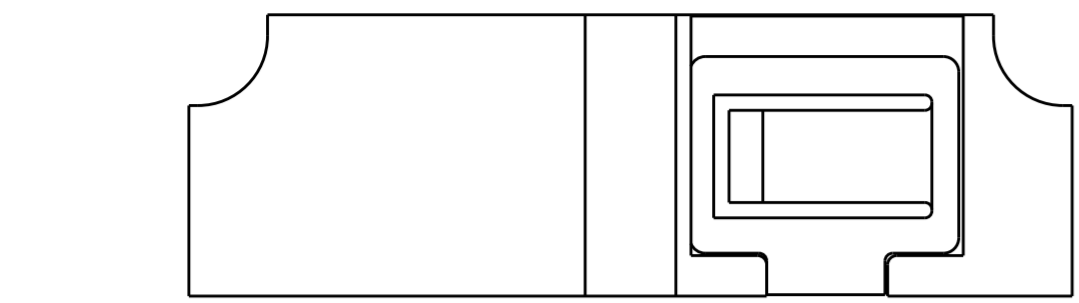
THIS DRAWING IS UNPUBLISHED. RELEASED FOR PUBLICATION  
 © COPYRIGHT - ALL RIGHTS RESERVED.

LOC		DIST		REVISIONS			
P	LTR	DESCRIPTION	DATE	DWN	APVD		
HG	-	F1	REVISE PER ECR-10-005865	26MAR2010	IL	CT	
		F2	REVISE PER ECR-10-024519	06MAY2011	LL	CT	
		F3	ADD NEW DASH 2-6	15MAY2013	SW	RZ	
		F4	ADD LENGTH WITH CAP FOR 2-6	19JUN2013	SW	RZ	



1 MATERIAL:  
 HOUSING: THERMOPLASTIC, UL 94-V0  
 PROTECTIVE PLUGS: THERMOPLASTIC ELASTOMER  
 ALIGNMENT SLEEVES: SEE TABLE  
 RETENTION CLIP: SST

- 2. DUPLEX PROTECTIVE PLUGS ARE SUPPLIED, NOT SHOWN.
- 3. RETENTION CLIP IS NOT INCLUDED.
- 4. ADAPTER HAS A LOGO.
- 5. THE DIMENSION IS ONLY FOR 2-6457567-6.



5	3	SLEEVE MAT'L	HOUSING COLOR	DESCRIPTION	PART NUMBER
5	3	CERAMIC	BLUE	FLANGED	2-6457567-6
4	4	CERAMIC	BEIGE	FLANGED	2-6457567-5
4	4	CERAMIC	BLUE	FLANGED	2-6457567-4
4	4	CERAMIC	BEIGE	FLANGELESS	2-6457567-3
4	4	CERAMIC	BLUE	FLANGELESS	2-6457567-2
		METAL	BLACK	FLANGED	2-6457567-1
		METAL	AQUA	FLANGED	2-6457567-0
		METAL	BLACK	FLANGELESS	1-6457567-9
		METAL	AQUA	FLANGELESS	1-6457567-8
		CERAMIC	BLACK	FLANGED	1-6457567-7
		CERAMIC	AQUA	FLANGED	1-6457567-6
		CERAMIC	BLACK	FLANGELESS	1-6457567-5
		CERAMIC	AQUA	FLANGELESS	1-6457567-4
		METAL	BLUE	FLANGED	1-6457567-3
3	3	CERAMIC	BLUE	FLANGELESS	1-6457567-2
3	3	CERAMIC	BEIGE	FLANGELESS	1-6457567-1
3	3	CERAMIC	BLUE	FLANGED	1-6457567-0
3	3	CERAMIC	BEIGE	FLANGED	6457567-9
		METAL	BEIGE	FLANGED	6457567-8
		METAL	BEIGE	FLANGELESS	6457567-7
		CERAMIC	GREEN	FLANGED	6457567-6
		CERAMIC	BEIGE	FLANGED	6457567-5
		CERAMIC	BLUE	FLANGED	6457567-4
		CERAMIC	GREEN	FLANGELESS	6457567-3
		CERAMIC	BEIGE	FLANGELESS	6457567-2
		CERAMIC	BLUE	FLANGELESS	6457567-1

**SUPERSEDED BY:**  
2125019-2

**SUPERSEDED BY:**  
2125019-1

THIS DRAWING IS A CONTROLLED DOCUMENT.

DWN: E. HOPKINS 03JUN2005  
 CHK: D. ROHDE 03JUN2005  
 APVD: S. BUCHTER 03JUN2005

TE Connectivity

NAME: ADAPTER, DUPLEX LC, SR-SR, SC ENVELOPE

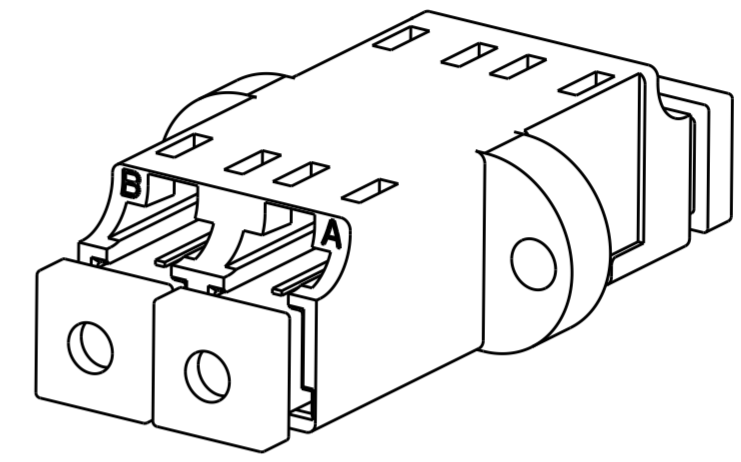
SIZE: A2 CAGE CODE: DRAWING NO: C-6457567 RESTRICTED TO: -

MATERIAL: - DIMENSIONS: mm TOLERANCES UNLESS OTHERWISE SPECIFIED: 0 PLC ±0.1 1 PLC ±0.1 2 PLC ±0.1 3 PLC ± 4 PLC ± ANGLES ± FINISH ±

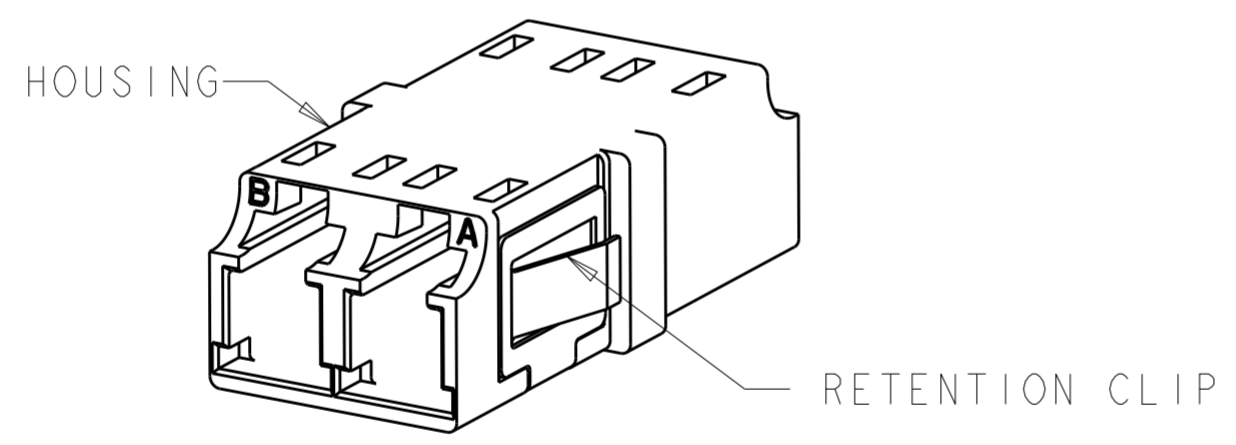
CUSTOMER DRAWING SCALE: 4:1 SHEET 1 OF 2 REV F4

THIS DRAWING IS UNPUBLISHED. RELEASED FOR PUBLICATION  
 © COPYRIGHT - ALL RIGHTS RESERVED.

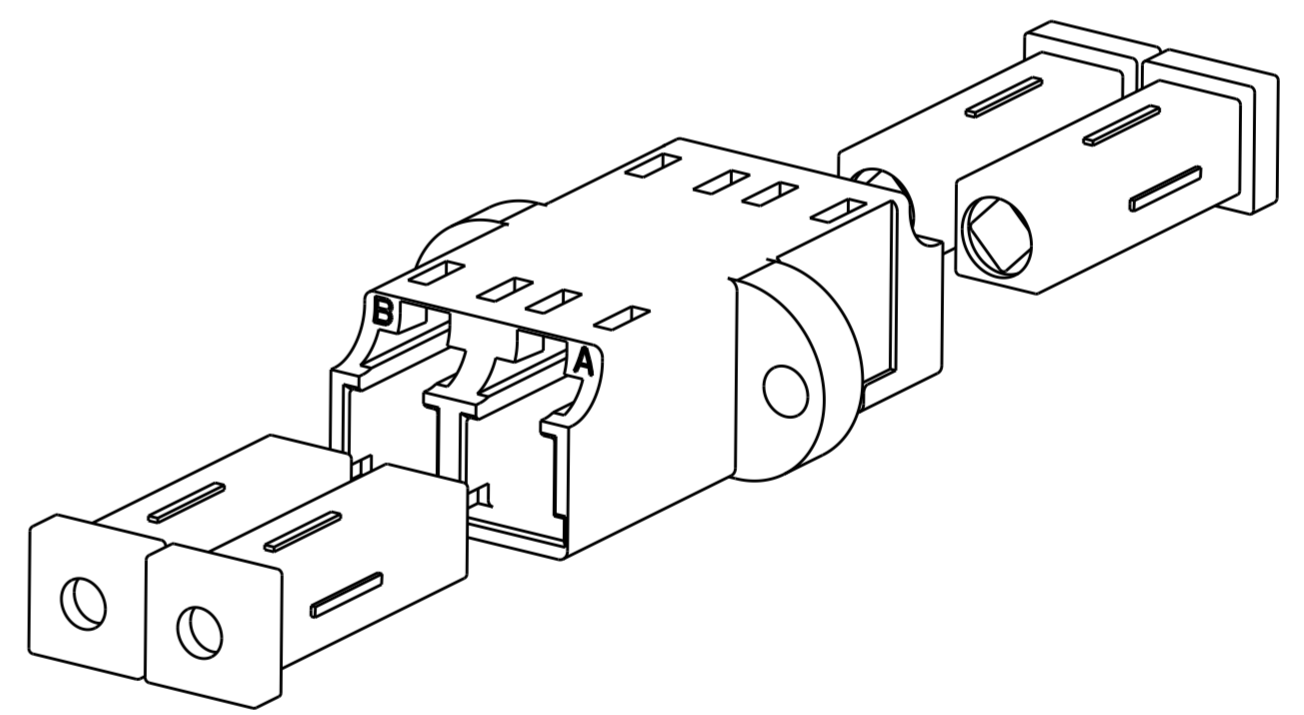
LOC		DIST		REVISIONS			
P	LTR	DESCRIPTION	DATE	DWN	APVD		
-	-	SEE SHEET 1	-	-	-		



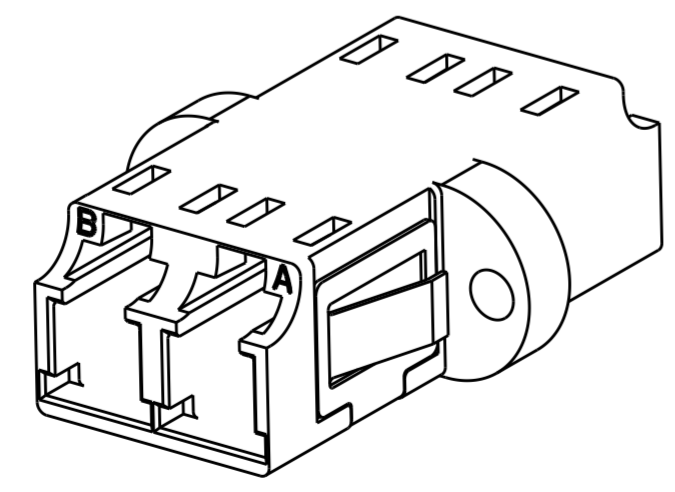
2-6457567-6 IS SHOWN  
SCALE 3:1



FLANGELESS  
SCALE 3:1



2-6457567-6 EXPLODE VIEW IS SHOWN  
SCALE 3:1



FLANGED  
SCALE 3:1

THIS DRAWING IS A CONTROLLED DOCUMENT.		DWN E. HOPKINS 03 JUN 2005	TE Connectivity	
DIMENSIONS: mm		CHK D. ROHDE 03 JUN 2005		
TOLERANCES UNLESS OTHERWISE SPECIFIED:		APVD S. BUCHTER 03 JUN 2005	NAME ADAPTER, DUPLEX LC, SR-SR, SC ENVELOPE	
0 PLC ±0.1 1 PLC ±0.1 2 PLC ±0.1 3 PLC ± 4 PLC ±		PRODUCT SPEC	SIZE A2	CAGE CODE C-6457567
ANGLES ± FINISH -		APPLICATION SPEC	DRAWING NO C-6457567	RESTRICTED TO
MATERIAL -		WEIGHT -	SCALE 4:1	SHEET 2 OF 2
		CUSTOMER DRAWING	REV F3	