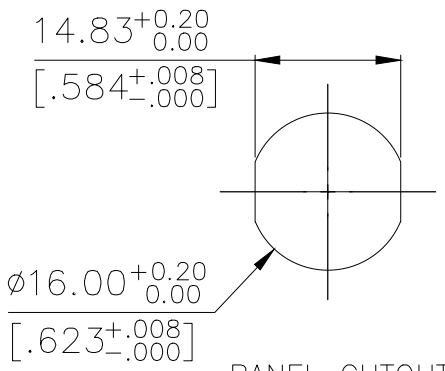
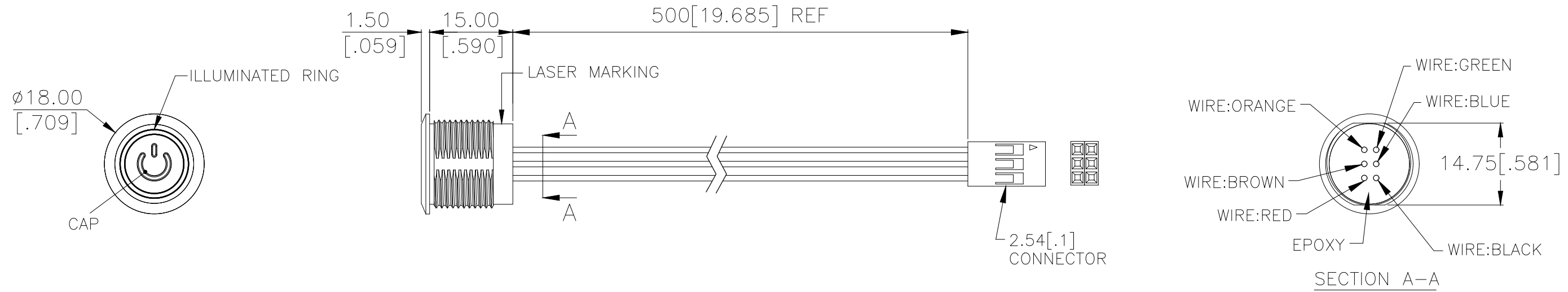
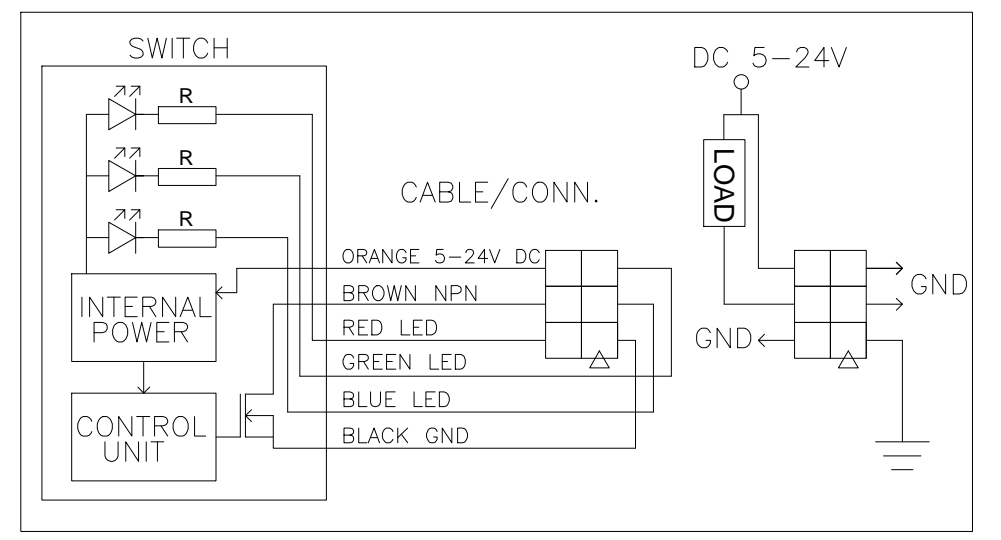
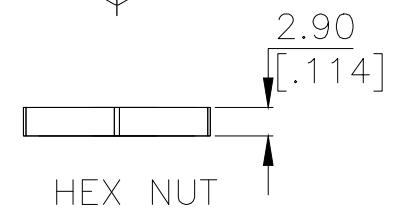
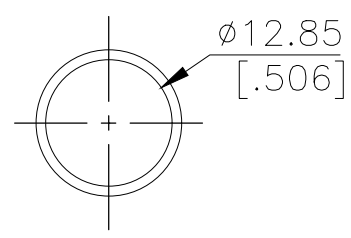
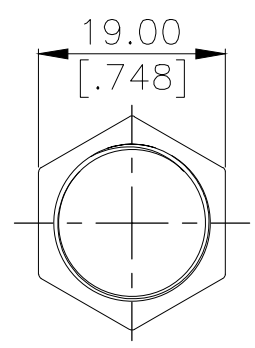
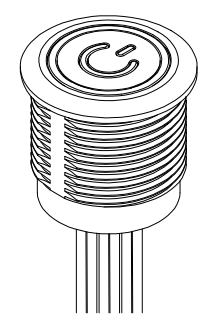
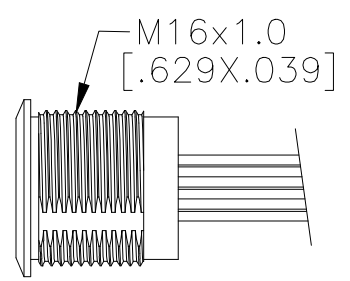


THIS DRAWING IS UNPUBLISHED. RELEASED FOR PUBLICATION
 © COPYRIGHT - TE Connectivity Ltd. ALL RIGHTS RESERVED.

P	LTR	DESCRIPTION	DATE	DWN	APVD
1		NEW DRAWING	28SEP2018	GCM	AS



PANEL CUTOUT
 MAX.PANEL THICKNESS: 8.0 [.315]MAX



APPLICATION DIAGRAM

INDICATOR			
SWITCH	LED		
	RED	GREEN	BLUE
OFF			
ON	USER		

APPLICABLE FOR TE P/N:
2342833-1
2342833-3
2342833-5
2342833-7
2342833-8
2342833-9

PRELIMINARY

THIS DRAWING IS A CONTROLLED DOCUMENT.

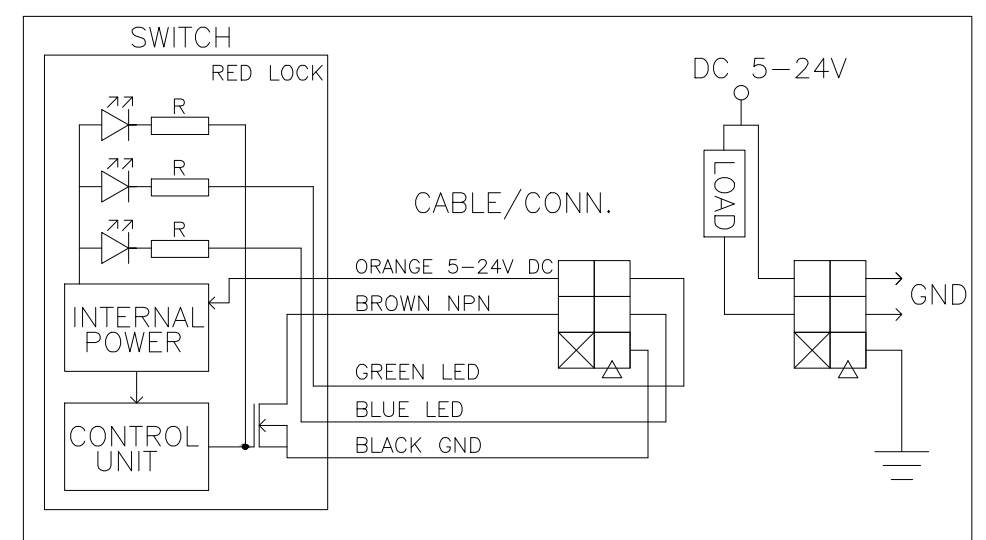
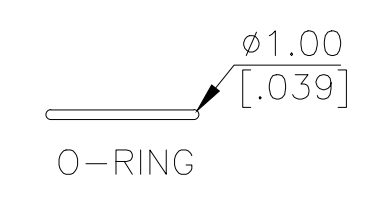
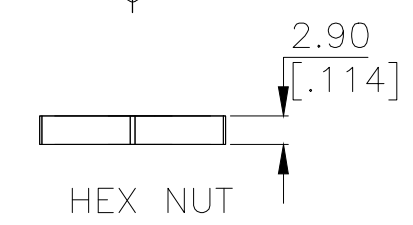
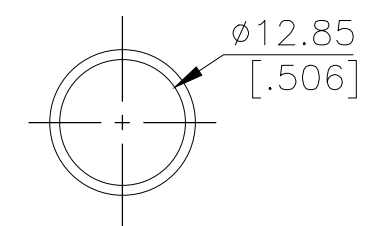
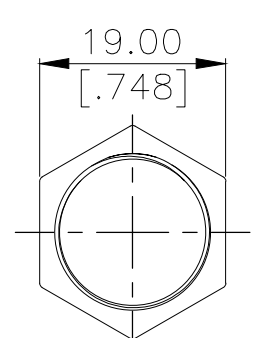
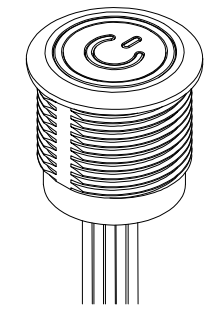
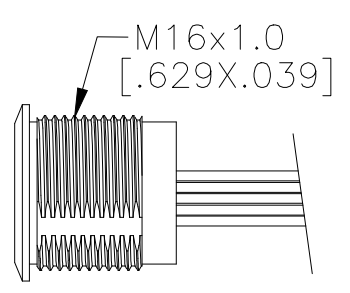
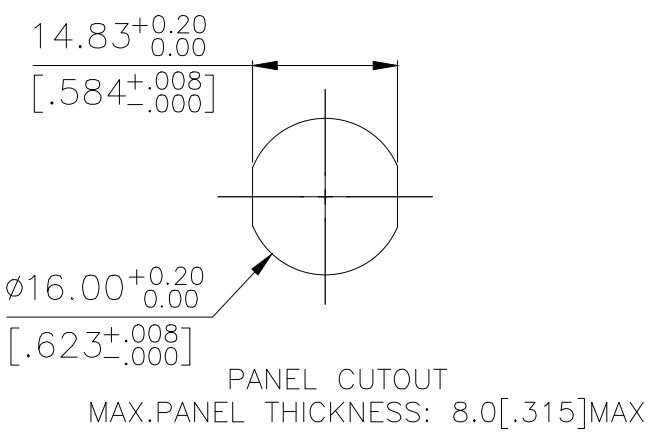
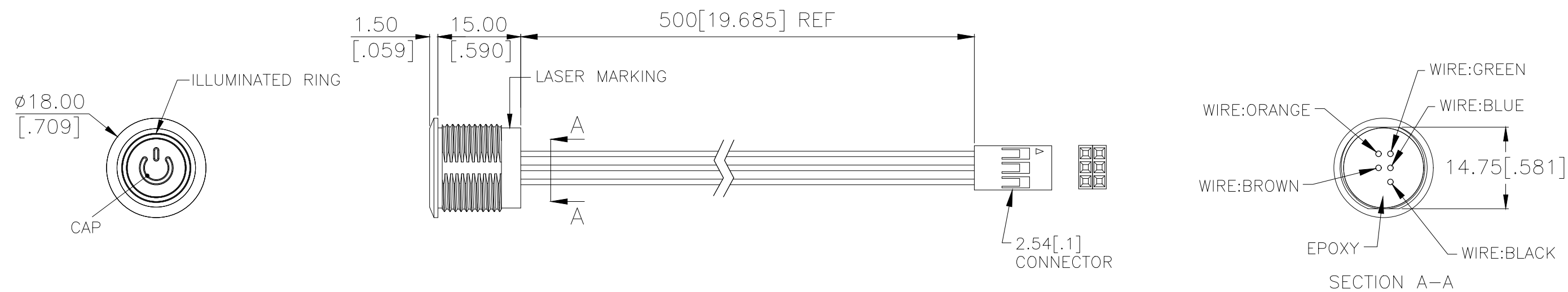
DIMENSIONS: mm [INCHES]	TOLERANCES UNLESS OTHERWISE SPECIFIED:	DWN: GANESH C M 29SEP2018	PRELIMINARY TE Connectivity Ltd.
	0 PLC ± -	CHK: ALEXANDER SHARPE 29SEP2018	
	1 PLC ± -	APVD: ALEXANDER SHARPE 29SEP2018	
MATERIAL	FINISH	NAME: ALEXANDER SHARPE	

PRODUCT SPEC: -
 APPLICATION SPEC: -
 WEIGHT: -

SIZE: A3	CAGE CODE: 00779	DRAWING NO: C-2342833	RESTRICTED TO: -
CUSTOMER DRAWING		SCALE: NTS	SHEET: 1 OF 3 REV: 1

THIS DRAWING IS UNPUBLISHED. RELEASED FOR PUBLICATION
 © COPYRIGHT - TE Connectivity Ltd. ALL RIGHTS RESERVED.

REVISIONS					
P	LTR	DESCRIPTION	DATE	DWN	APVD
-	-	SEE SHEET 1	-	-	-



APPLICATION DIAGRAM

APPLICABLE FOR TE P/N:
2342833-2
2342833-4
2342833-6

PRELIMINARY

THIS DRAWING IS A CONTROLLED DOCUMENT.		DWN GANESH C M 29SEP2018	TE Connectivity Ltd.				
DIMENSIONS: mm [INCHES]		CHK ALEXANDER SHARPE 29SEP2018					
TOLERANCES UNLESS OTHERWISE SPECIFIED: 0 PLC ± - 1 PLC ± - 2 PLC ± - 3 PLC ± - 4 PLC ± - ANGLES ± -		APVD ALEXANDER SHARPE 29SEP2018	NAME SWITCH,AV,CAPACITIVE,16mm,FL BTN, ILLUM RING W/POWER LOGO,LED, LEADED W/2x3 REC				
		PRODUCT SPEC -	SIZE A3	CAGE CODE 00779	DRAWING NO 2342833	RESTRICTED TO -	
MATERIAL -		FINISH -	CUSTOMER DRAWING		SCALE NTS	SHEET 2 of 3	REV 1

THIS DRAWING IS UNPUBLISHED. RELEASED FOR PUBLICATION
 © COPYRIGHT - TE Connectivity Ltd. ALL RIGHTS RESERVED.

REVISIONS					
P	LTR	DESCRIPTION	DATE	DWN	APVD
	-	SEE SHEET 1	-	-	-


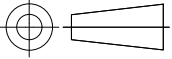
NOTES:

1. SPECIFICATIONS:
 1. OPERATING LIFE: 50 MILLION CYCLE MIN.
 2. CONTACT RESISTANCE: 1Ω MAX.
 3. OPERATING TEMPERATURE: -20°C to 65°C
2. MATERIAL:
 1. SEALING: SILICONE, EPOXY
 2. O-RING: SILICONE
 3. HEX NUT: NICKEL PLATED BRASS
3. PACKAGING:

SWITCH ASSEMBLIES ARE INDIVIDUALLY BUNDLED.
 HARDWARE IS NOT ASSEMBLED TO THE SWITCHED.
4. COMPLIANCE:

ALL MATERIALS AND FINISHES SHALL COMPLY WITH EU DIRECTIVE
 2002/95/EC OF 27 JAN2003(ROHS).
5. HARDWARE IS SHIPPED UNASSEMBLED.

PC; STAINLESS STEEL	STAINLESS STEEL 316	RGB	MOMENTARY	AVC16MS16FE1DT5B04	2342833-9
PC; STAINLESS STEEL	STAINLESS STEEL 304	RGB	MOMENTARY	AVC16MS04FE1DT5B04	2342833-8
PC; ALUMINUM	ALUMINUM	RGB	MOMENTARY	AVC16MAIOFE1DT5B04	2342833-7
PC; STAINLESS STEEL	STAINLESS STEEL 316	RED LOCK	LOCKING	AVC16LS16FE13T5B04	2342833-6
PC; STAINLESS STEEL	STAINLESS STEEL 316	RGB	LOCKING	AVC16LS16FE1DT5B04	2342833-5
PC; STAINLESS STEEL	STAINLESS STEEL 304	RED LOCK	LOCKING	AVC16LS04FE13T5B04	2342833-4
PC; STAINLESS STEEL	STAINLESS STEEL 304	RGB	LOCKING	AVC16LS04FE1DT5B04	2342833-3
PC; ALUMINUM	ALUMINUM	RED LOCK	LOCKING	AVC16LAIOFE13T5B04	2342833-2
PC; ALUMINUM	ALUMINUM	RGB	LOCKING	AVC16LAIOFE1DT5B04	2342833-1
CAP MATERIAL	BUSHING MATERIAL	LED COLOR	CONTACT CONFIGURATION	TE SMART PART NUMBER	PART NUMBER

THIS DRAWING IS A CONTROLLED DOCUMENT.		DWN GANESH C M 29SEP2018	 TE Connectivity Ltd.		
DIMENSIONS: mm [INCHES]		CHK ALEXANDER SHARPE 29SEP2018			
		APVD ALEXANDER SHARPE 29SEP2018	NAME SWITCH,AV,CAPACITIVE,16mm,FL BTN, ILLUM RING W/POWER LOGO,LED, LEADED W/2x3 REC		
TOLERANCES UNLESS OTHERWISE SPECIFIED:		PRODUCT SPEC	RESTRICTED TO		
0 PLC ± -		APPLICATION SPEC	SIZE	CAGE CODE	DRAWING NO
1 PLC ± -		WEIGHT	A3	00779	C=2342833
2 PLC ± -		CUSTOMER DRAWING			
3 PLC ± -		SCALE		SHEET	REV
4 PLC ± -		NTS		3 OF 3	1
ANGLES ± -					
FINISH					
MATERIAL					

PRELIMINARY