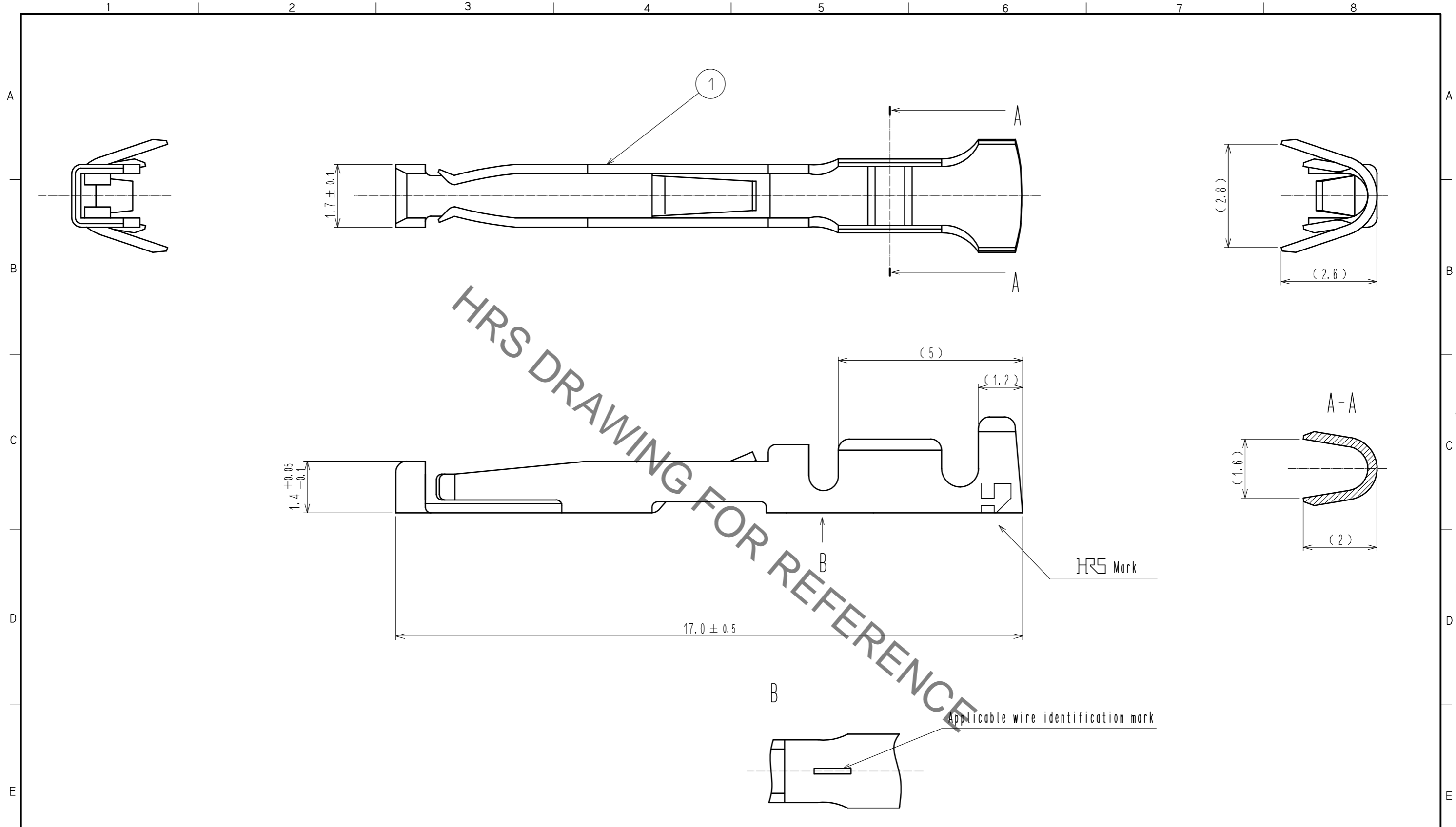


Jul.1.2019 Copyright 2019 HIROSE ELECTRIC CO., LTD. All Rights Reserved.
In case of consideration for using Automotive equipment / device which demand high reliability, kindly contact our sales window correspondents.



- Notes
- 1 Applicable hand crimping tool : RM-TC-11(CL150-0006-1)
 - 2 Applicable crimp contact extraction tool : RM-TP(CL150-0008-7)
 - 3 Applicable wire (AWG#20 TO 24)

1	PHOSPHOR BRONZE	SILVER PLATING 4μm min. (100pcs/bag)				
NO.	MATERIAL	FINISH . REMARKS	NO.	MATERIAL	FINISH . REMARKS	
UNITS mm			SCALE 10:1		COUNT	DESCRIPTION OF REVISIONS
HRS HIROSE ELECTRIC CO., LTD.			APPROVED : E.J. KUNII	16.01.22	DRAWING NO. EDC-009963-00-00	
			CHECKED : E.J. KUNII	16.01.22	PART NO. JRC-SC2-112	
			DESIGNED : MM. ISHII	16.01.22	CODE NO. CL114-0247-4-00	
			DRAWN : MM. ISHII	16.01.22		