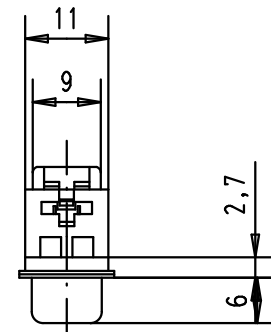
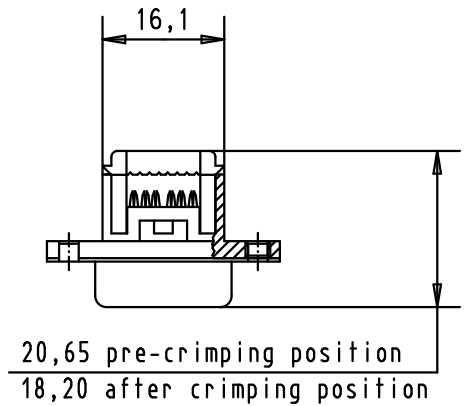
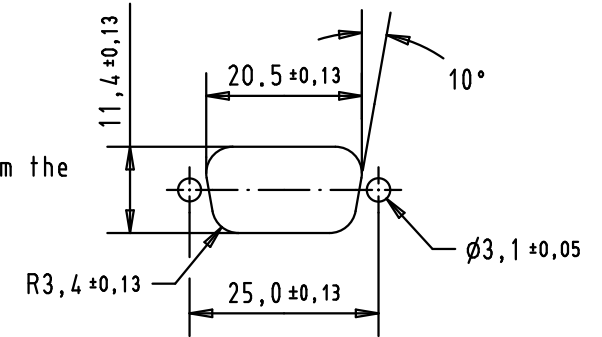




RECOMMENDED PANEL CUTOUT DIMENSIONS FOR REAR MOUNTING

Values are taken from the CECC 75 301-802



1.27 mm pitch flat cable stranded, wire sizes : AWG 26 to 28

A	09 66 118 7502	PL3	4-40 UNC					Dat.	Name	 All Dim. in mm Orig. Size DIN A 4	D-sub, female, 9 poles, straight, IDC, nut fixing	Maßstab/ Scale 1 : 1
	09 66 118 6502	PL2	4-40 UNC				Detail.	19-MAR-02	CV			
	09 66 118 7501	PL3	M3				Insp.	23-SEP-11	JB			
	09 66 118 6501	PL2	M3	EC03837	23-SEP-11	BH	Stand.					
				EC01902	20-MAY-10	SC	HARTING EURL F-95972 Paris				TB 0966 118 x50x	Blatt/ Page 1 / 1
part number	performance level	Nut thread	29756	19-MAR-02	CV							
			Mod.	Dat.	Name							