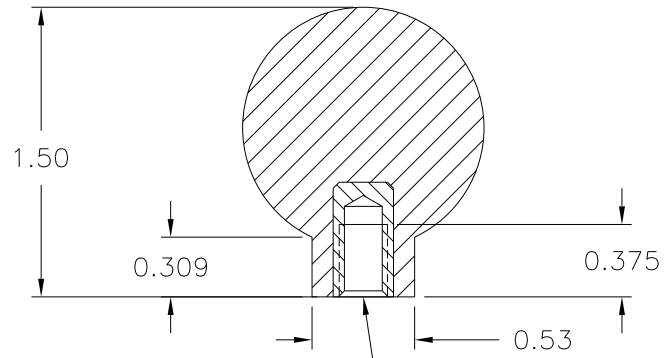
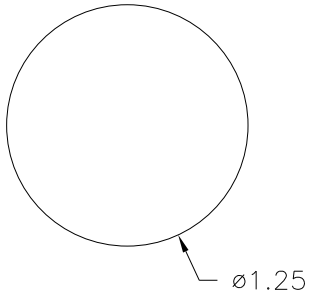


PART NAME: BALL KNOB SCALE: 1 : 1 DATE: 8/19/63 DR. BY LSP

THIS DRAWING IS THE PROPERTY OF DAVIES MOLDING COMPANY, IS SUBMITTED SOLELY AS A DESIGN OR ENGINEERING PROJECT. WE ACCEPT NO RESPONSIBILITY WHATSOEVER FOR THE PRACTICAL APPLICATION OF THE PIECES MADE TO THIS DESIGN.



P/N	0025AN
M ^{NO.}	0025
PINS	0025-G
SHIM	NONE
INSERT	I0035



1/4-20 UNC-2B THREADED
I0035, H.H. BRASS

MATERIAL: #4311 PLENCO PHENOLIC (B41)
COLOR: BLACK

TOLERANCES: UNLESS OTHERWISE SPECIFIED	DO NOT SCALE DRAWING	-	ADDED METRIC	JAM	10/25/00
DECIMALS: X.XXX ± .005 X.XX ± .015	MM: X.XX ± 0.15MM X.X ± 0.4MM	-	RE-DID REDRAW	TL	10/4/99
FRACTIONS ± 1/64	ANG. ± 1°	-	CAD REDRAW	HD	6/15/92
CHANGES					