

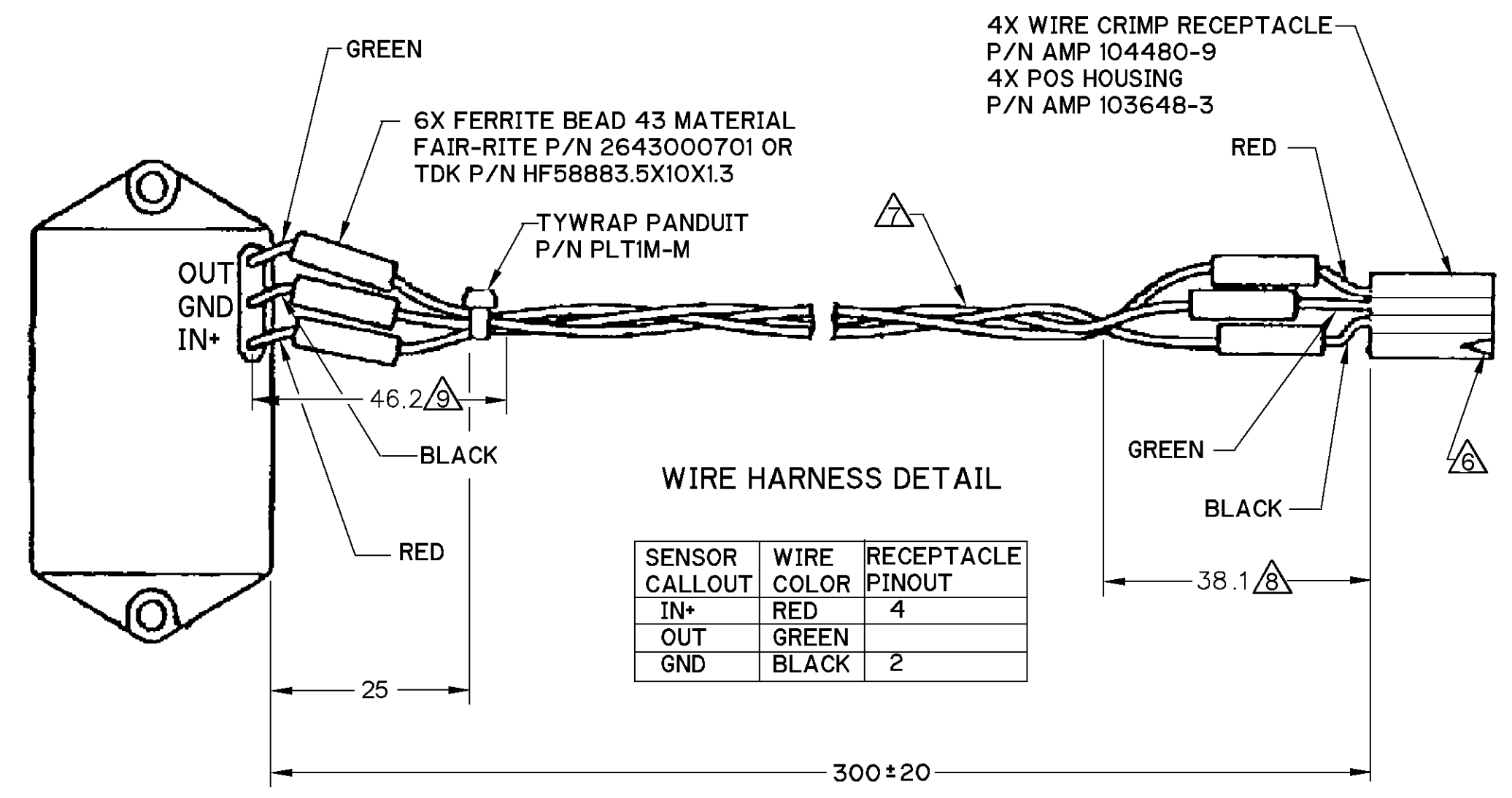
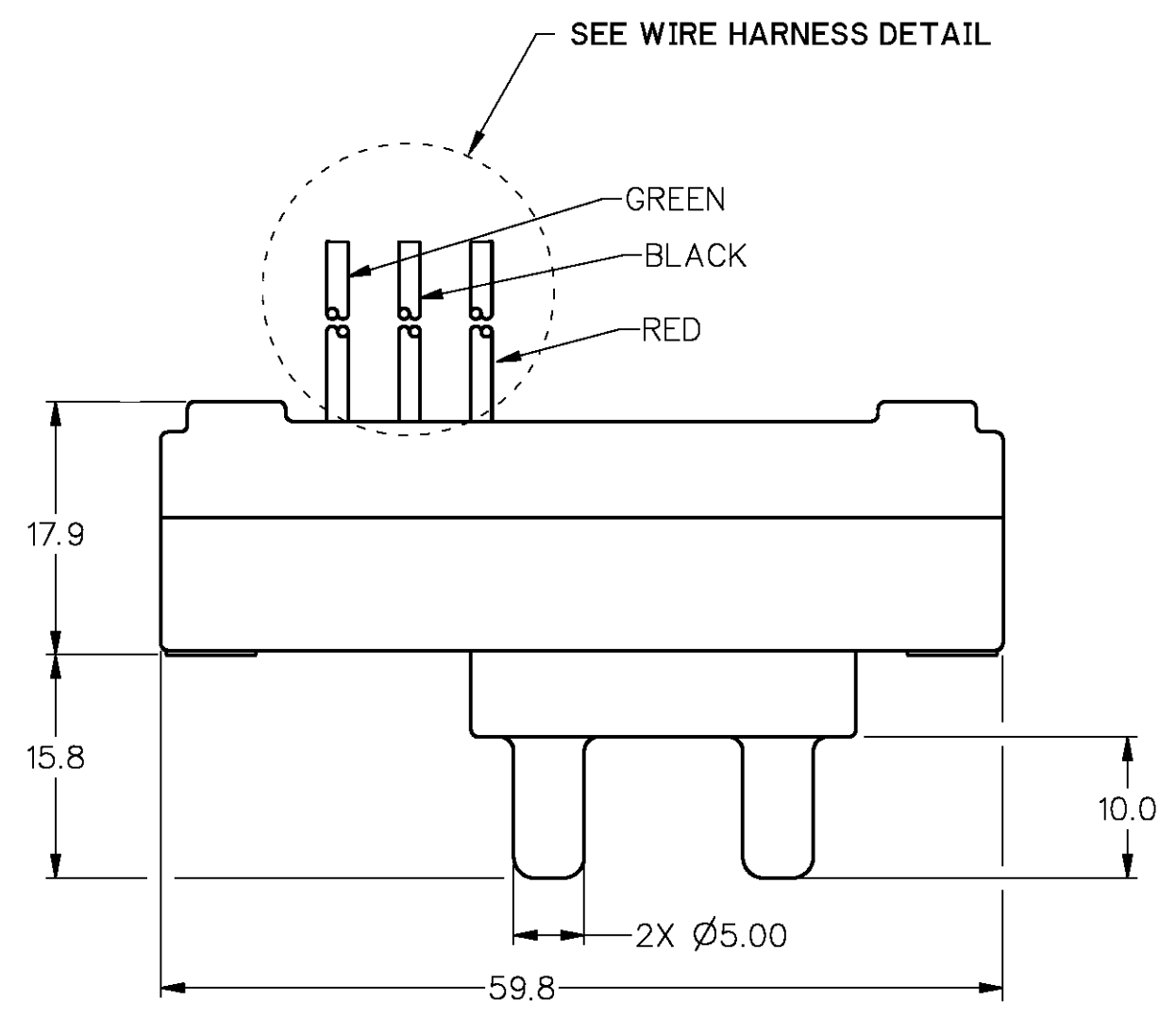
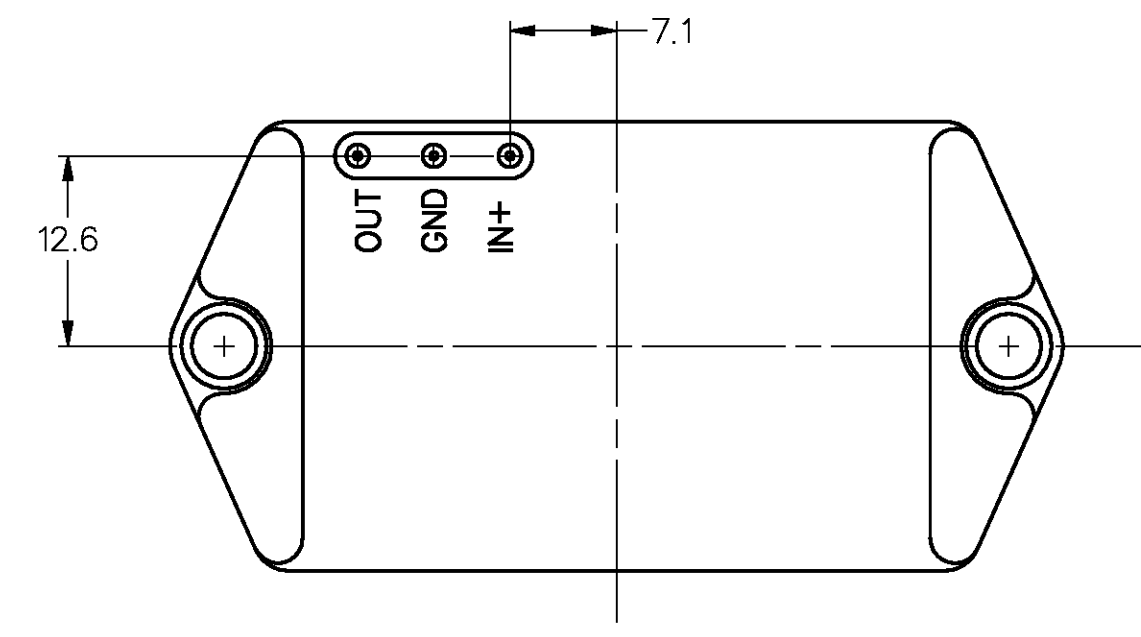
GENERAL OPERATING CHARACTERISTICS

PRESSURE RANGE	-20 TO +120 CM H ₂ O (-.28 TO 1.70 PSI)
OVERPRESSURE	350 CM H ₂ O (5 PSI)
TEMPERATURE RANGE	+15°C TO +45°C
SUPPLY VOLTAGE	10 VDC
SUPPLY CURRENT	20 mA MAX WITH 10K LOAD
SHORT CIRCUIT LIMIT	MAY BE SHORTENED INDEFINITELY
OUTPUT RIPPLE	NONE
GROUND REFERENCE	SUPPLY AND OUTPUT ARE COMMON

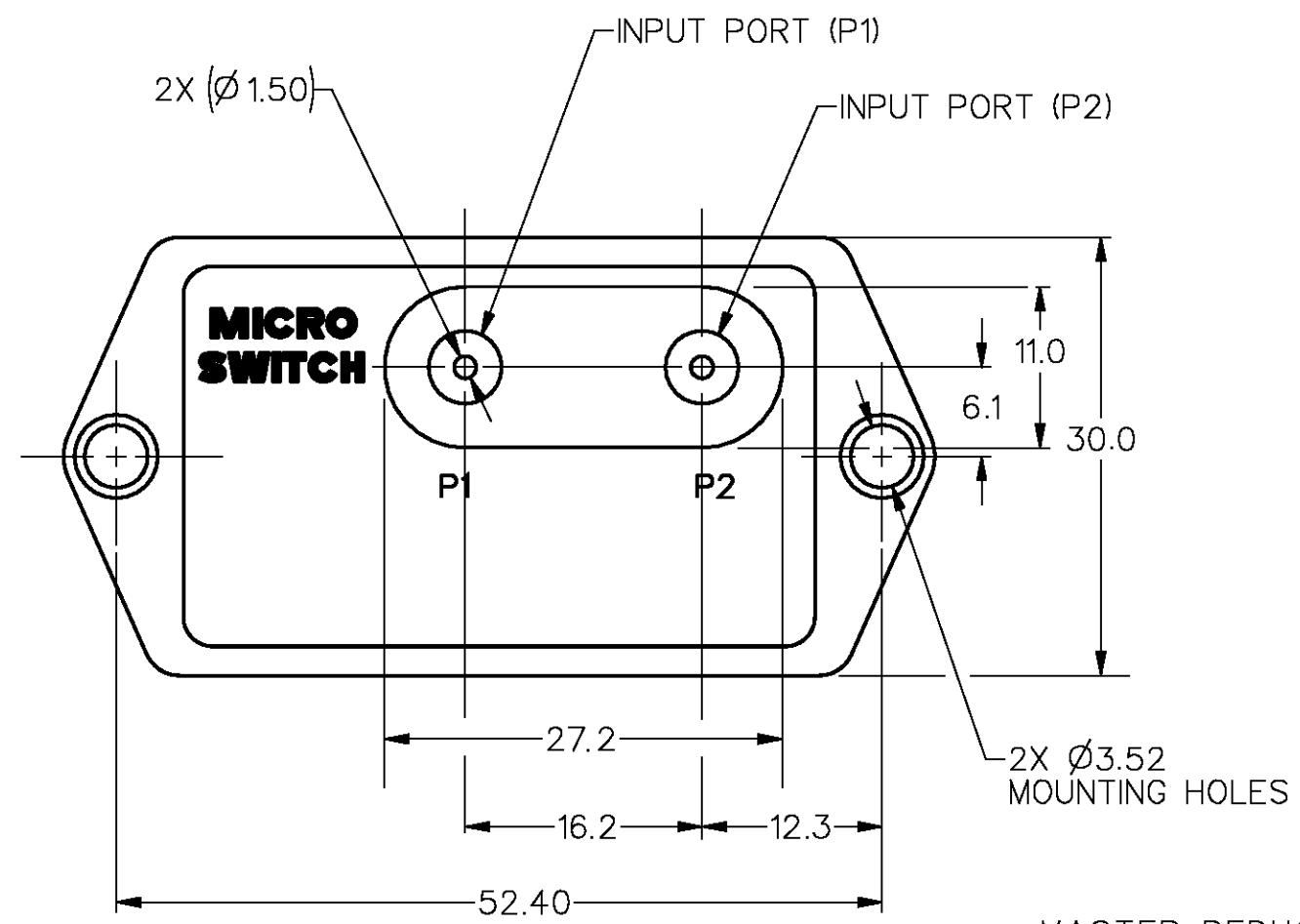
METRIC	INCHES
1.50	.060
3.52	.139
5.00	.197
6.1	.24
7.1	.28
10.0	.39
11.0	.43
12.3	.48
12.6	.496
15.8	.51
16.2	.64
17.9	.70
20	.79
25	1.0
27.2	1.07
30.0	1.18
38.1	1.5
46.2	3.0
52.40	2.063
59.8	2.35
300	11.8

ELECTRICAL PERFORMANCE AT 25°C AND 10.00±0.01 VDC SUPPLY

OUTPUT VOLTAGE	
NULL (0 CM H ₂ O)	1.714±.150 VDC
FULL SCALE (AT 47 IN. H ₂ O) (P2>P1)	5.969±.150 VDC
NEG. FULL SCALE (-20 CM H ₂ O) (P2<P1)	1.00 VDC TYPICAL
SENSITIVITY (P2>P1)	.036 VDC/CM H ₂ O
LINEARITY % SPAN ∇_5 (BFSL)	±1.5 (P2 < P1) MAX
HYSTERESIS & REPEATABILITY % SPAN ∇_5	±0.15 TYPICAL
TEMPERATURE ERROR ∇_5 % SPAN	
ZERO SHIFT	±0.75
SPAN SHIFT	±1.00
RESPONSE TIME	1 mSEC MAX



DRAWING NUMBER 163PC01DW98
 PAGE 1 OF 1
 ISSUE 5
 REVISIONS: A 03 JUL 06, B 03 JUL 06, C 03 JUL 06, D 03 JUL 06
 CHECKED: JAF 13 SEP 96
 RASTER DRAWN: JAF 13 SEP 96
 RELEASE NO. PR-21946
 REPLACES: 19 MAY 70



- NOTES
- INPUT MEDIA:
 P1 - DRY GASES ONLY: CONNECTION SIDE OF SENSOR
 P2 - LIMITED ONLY TO THOSE MEDIA THAT WILL NOT ATTACK POLYESTER, SILICON OR SILICONE BASED ADHESIVE
 - TERMINALS ARE PLATED FOR SOLDERING
 - LIMIT SOLDERING TO 315°C MAX FOR 10 SECONDS MAX
 - UNITS ARE OF PLASTIC CONSTRUCTION
- ∇_5 SPAN IS THE ALGEBRAIC DIFFERENCE BETWEEN THE OUTPUT AT NULL AND THE OUTPUT AT FULL PRESSURE
 \triangle_6 ARROW DENOTES PIN ONE
 \triangle_7 TWIST WIRES ONE TURN PER INCH, MINIMUM
 \triangle_8 1.5" OR LESS OF UNTWISTED WIRE IS ALLOWED
 \triangle_9 3" OR LESS OF UNTWISTED WIRE IS ALLOWED

MASTER REDUCED
ANSI Y14.5M-1982 APPLIES

THIS DRAWING COVERS A PROPRIETARY ITEM AND IS THE PROPERTY OF MICRO SWITCH, A DIVISION OF HONEYWELL. THIS DRAWING IS NOT TO BE COPIED OR USED WITHOUT THE APPROVAL OF MICRO SWITCH.		
MICRO SWITCH a Honeywell Division	LOW PRESSURE TRANSDUCER	CATALOG LISTING 163PC01DW98
FED. MFG. CODE 91929		

THIRD ANGLE PROJECTION

SCALE 2 : 1

DO NOT SCALE PRINT

UNLESS OTHERWISE SPECIFIED TOLERANCES ARE

NO PLACE	(0)	± 1 mm
ONE PLACE	(0.0)	± 0.4 mm
TWO PLACE	(0.00)	± 0.15 mm
ANGLES		±

WEIGHT