

NOTES:

- MATERIALS AND FINISHES:
 BODY - BRASS, MATTE TIN PLATING
 SPANNER NUT, HEX NUT, CAP &
 RETAINING RING - BRASS, NICKEL PLATING
 LOCKWASHER - PHOSPHOR BRONZE, NICKEL PLATING
 INSULATORS - PTFE, NATURAL
 CONTACT - BeCu, GOLD PLATING
 CONTACT REAR - BRASS, GOLD PLATING
- ELECTRICAL:
 A. IMPEDANCE: 75 OHM
 B. FREQUENCY RANGE: DC - 12 GHz
- BNC RA BHD JACK SHIPS WITH ONLY ONE KIND OF
 THREADED NUT, ON CUSTOMER REQUEST.

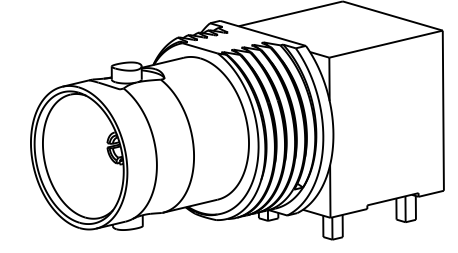
4. MAX. PANEL THICKNESS : 1,52 [0.060] MAX.

- MECHANICAL:
 A. DURABILITY: 500 CYCLES MIN.
 B. TEMPERATURE RANGE: -65°C TO +165°C

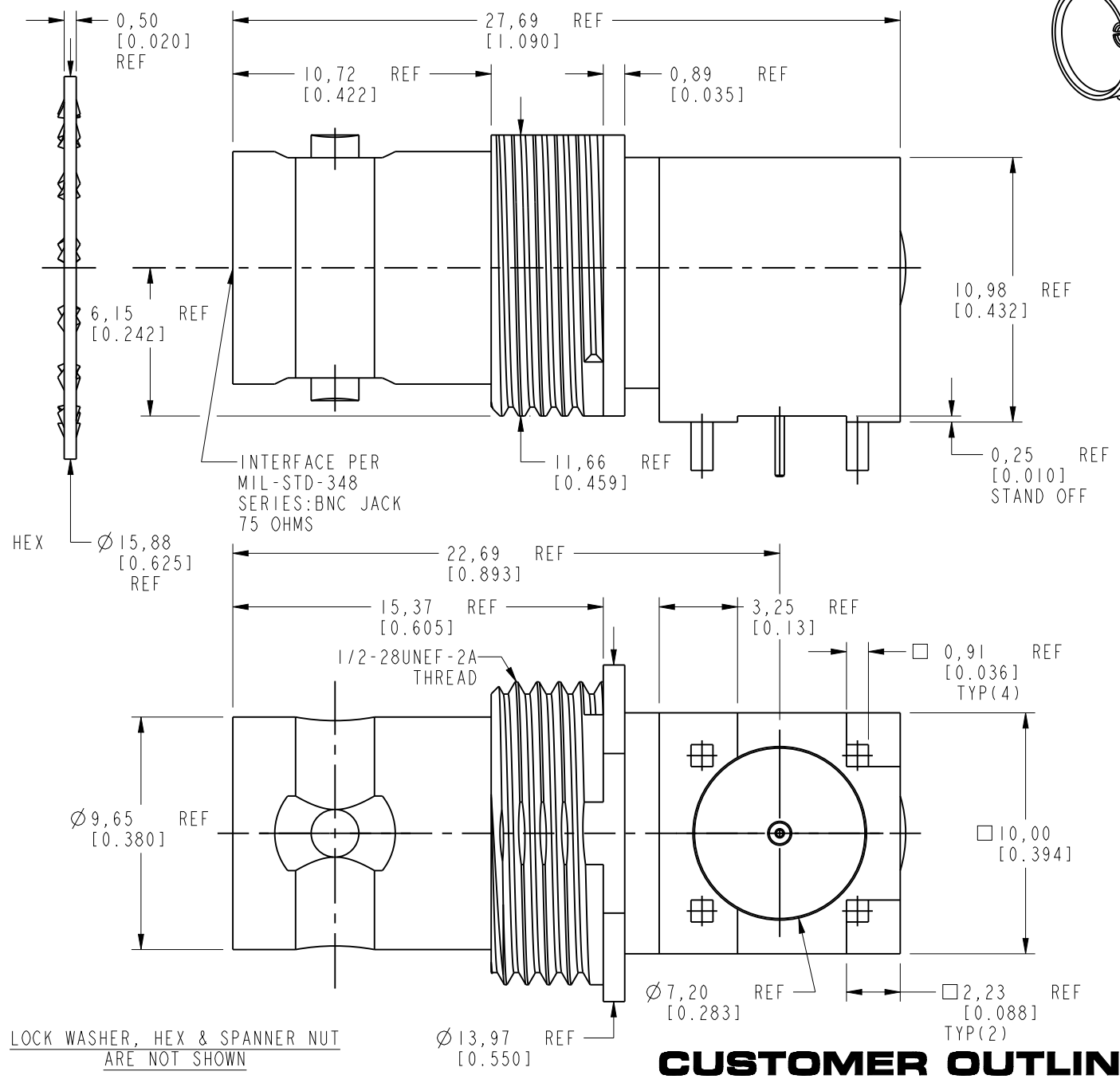
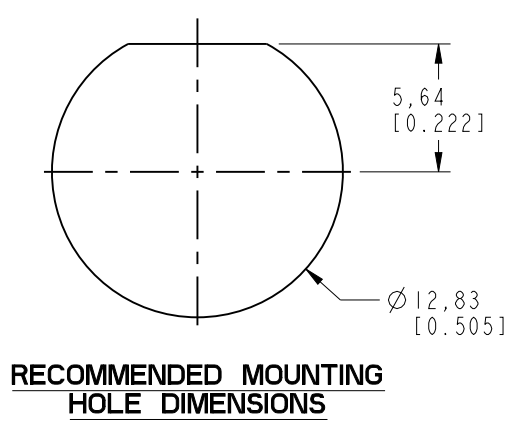
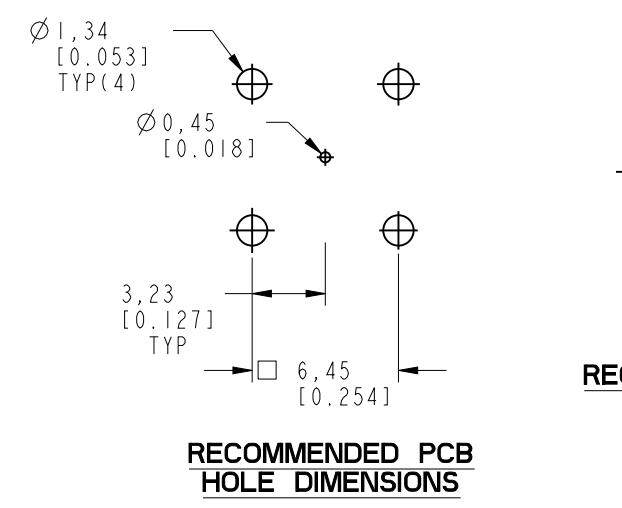
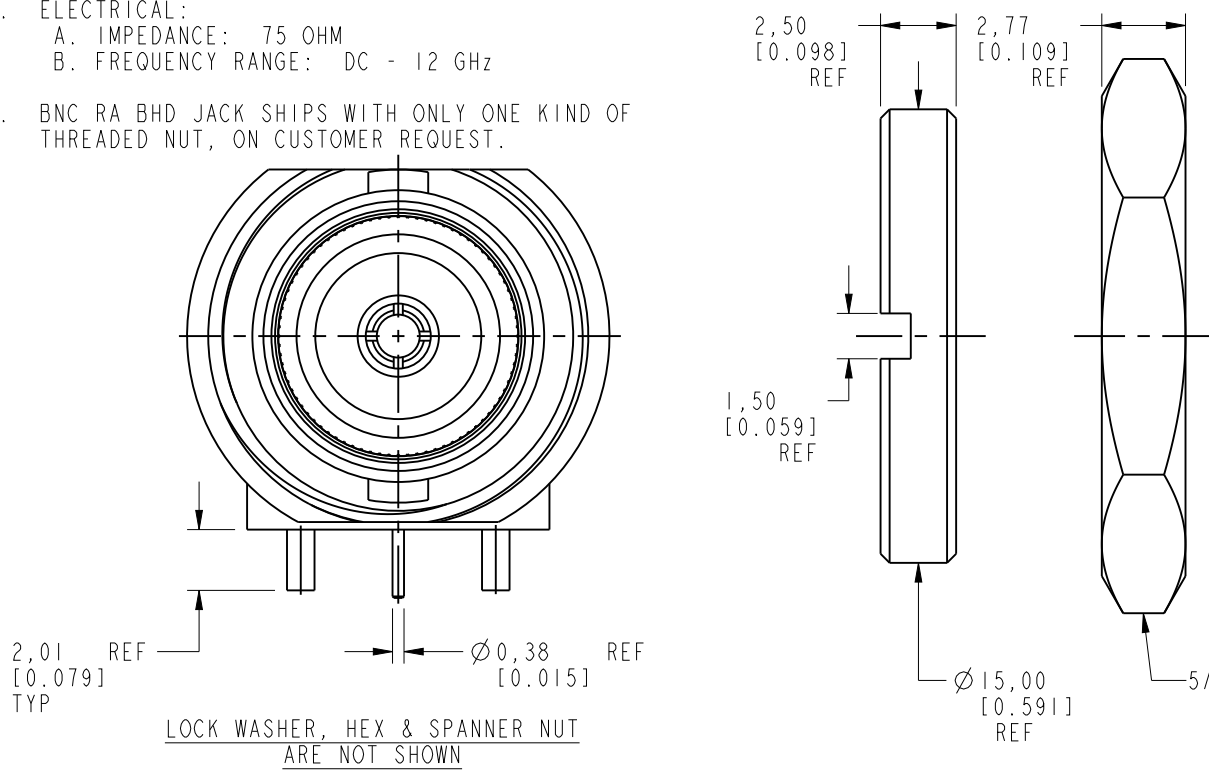
THIRD ANGLE PROJ.

REVISIONS

REV	DESCRIPTION	DATE	ECO	APPR
A	RELEASE TO MFG.	11-May-17	3743	BMG



SCALE 2.000



CUSTOMER OUTLINE DRAWING
 ALL OTHER SHEETS ARE FOR INTERNAL USE ONLY

UNLESS OTHERWISE SPECIFIED, DIMENSIONS ARE IN METRIC AND TOLERANCES ARE:
 <0.5mm ±0.05mm 0.5 - 6mm ±0.1mm 6 - 30mm ±0.2mm 30 - 120mm ±0.3mm ANGLES ±1°

NOTICE - These drawings, specifications, or other data (1) are, and remain the property of Amphenol corp. (2) must be returned upon request; and (3) are confidential and not to be disclosed to any person other than those to whom they are given by Amphenol Corp. the furnishing of these drawings, specifications, or other data by Amphenol Corp., or to any other person to anyone for any purpose is not to be regarded by implication or otherwise in any manner licensing, granting rights to permitting such holder or any other person to manufacture, use or sell any product, process or design, patented or otherwise, that may in any way be related to or disclosed by said drawings, specifications, or other data.

MATERIAL	SEE NOTES	DRAWN	MADHAN G	DATE	02-Dec-16	TITLE	75 OHM BNC RA BHD JACK PCB MOUNT	Amphenol RF www.amphenolrf.com
EAR#	7476	ENGINEER	MADHAN G	DATE	02-Dec-16	SCALE: 4.0:1.0	SHEET 2 OF 2	
EXP#		APPROVED	K. CAPOZZI	DATE	11-May-17	DWG SIZE	B	ITEM NO. 31-70535-12G
CONFIGURATION LEVEL:	In Work	CAD FILE				REV	A	PART NO. 31-70535-12G
FINISH								