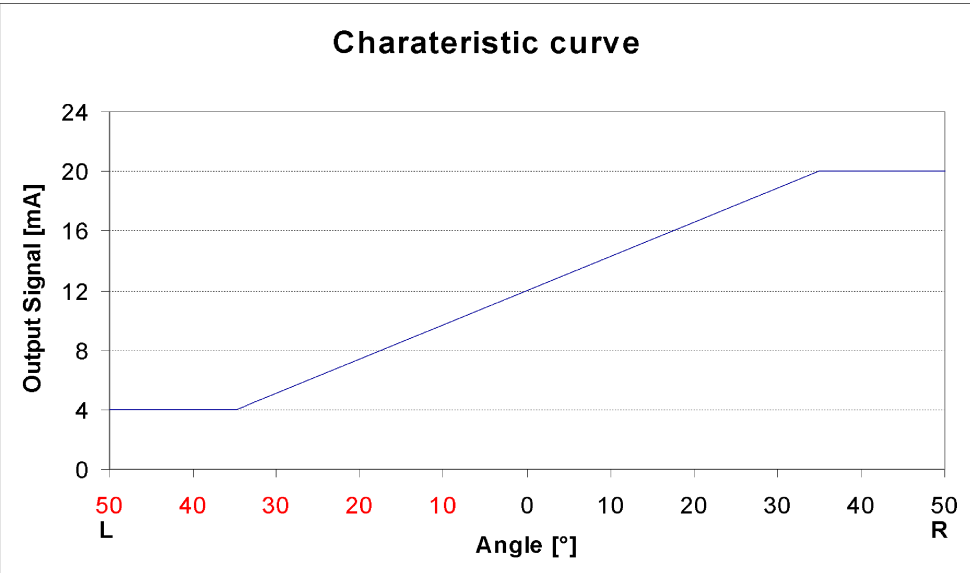
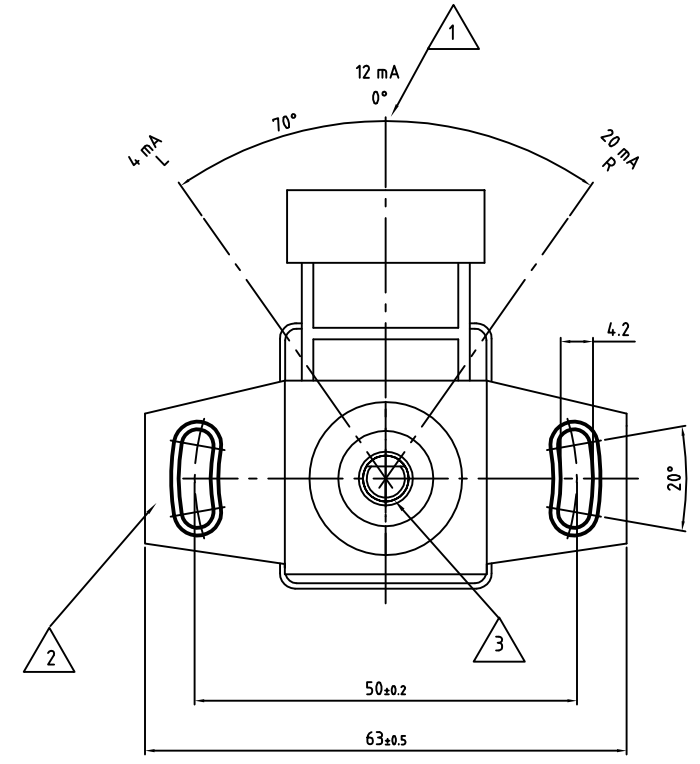
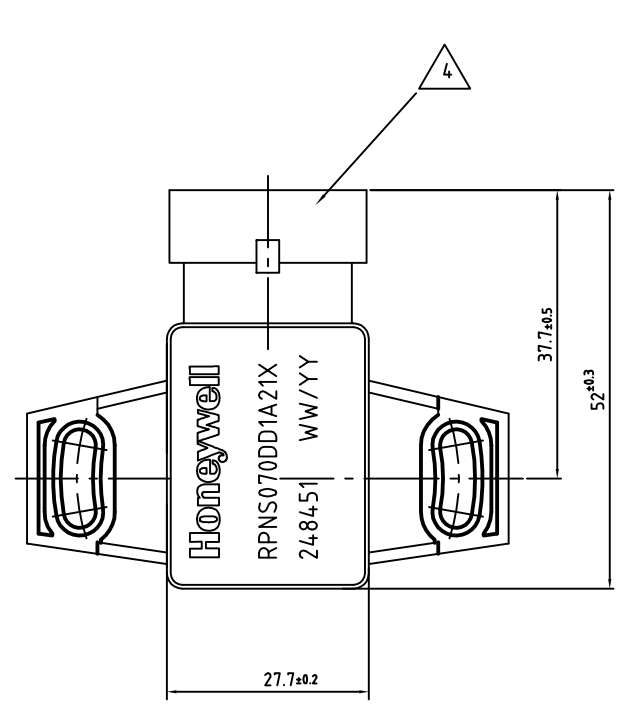


HONEYWELL
PART NUMBER
RPNS070DD1A21X

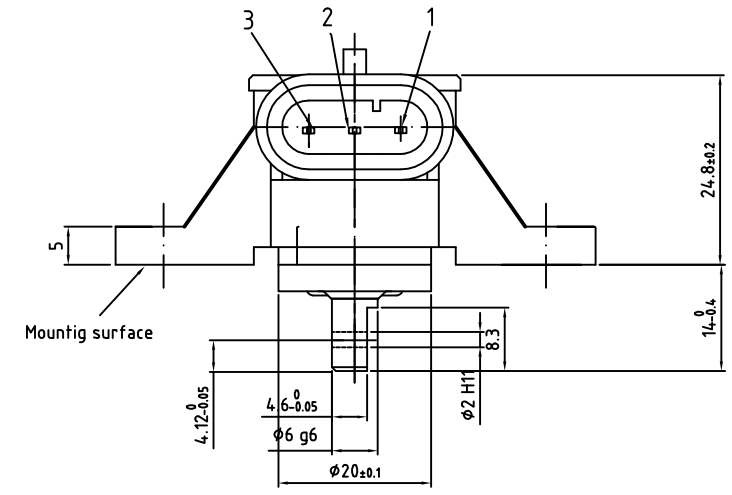
REV	CHANGE DOCUMENT	CHANGED BY	CHECK
A	0040247	VS 23JUN08	BLR

Technical Data	
Function	Angular Sensor
Sensor principle	Contact-free, Hall effect
Measuring range	70°
Mechanical end stop	No
Supply voltage	8 – 30 VDC
Current consumption max.	20 mA
Output signal	
Angle ρ	Output signal
L (35°)	4mA
0°	12 mA
R (35°)	20 mA
Delay of the output signal	ca. 3 ms
Reverse polarity protection	Yes
Output	24h short-circuit proof
EMC	200V/m acc. to ISO 11452-3
Ambient conditions	
Operating temperature:	- 40°C bis + 85°C
Temperature range (storage)	- 40°C bis + 125°C
protection class	IP67 acc. to DIN 40050
Tightening torque of the mounting screw max.	2,5 Nm \pm 0,5 Nm
Accuracy	\pm 1,6%
Hysteresis	None
Linearity	\pm 1°
Cycles of rotation	30 x 10 ⁶ cycles



- 1 Zero point
- 2 Housing Material PA66
- 3 Shaft Material Stainless Steel
- 4 Tab Connector acc. to AMP Superseal 1.5 Series 282105 Shall mate with receptacle Connector 282087-1

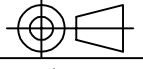
$\phi 6$	g6	-0.004	5.996
$\phi 2$	H11	-0.012	5.988
Dimension	Tolerance		



Pin configuration	
1	GND
2	Ub 8-30 VDC
3	4-20 mA

DESIGN UNITS: MM
TOLERANCES UNLESS NOTED:
GEOMETRICAL TOLERANCE ACCORDING TO DIN ISO 1101
GENERAL TOLERANCES ACCORDING TO DIN 16901-130B

THIRD ANGLE PROJECTION



DRAWN	JA	19JUN08
CHECK	JLH	19JUN08
THIS DRAWING COVERS A PROPRIETARY ITEM AND IS THE PROPERTY OF HONEYWELL. THIS DRAWING IS NOT TO BE COPIED OR USED WITHOUT THE PERMISSION OF HONEYWELL.		
INTERPRET PER ASME Y14.5M-1994 OTHER HONEYWELL ENGINEERING STANDARDS MAY APPLY		

Honeywell			
TITLE ANGULAR SENSOR \pm 35°			
SIZE	TYPE	DRAWING NAME	REV
A3	I	RPNS070DD1A21X	A