

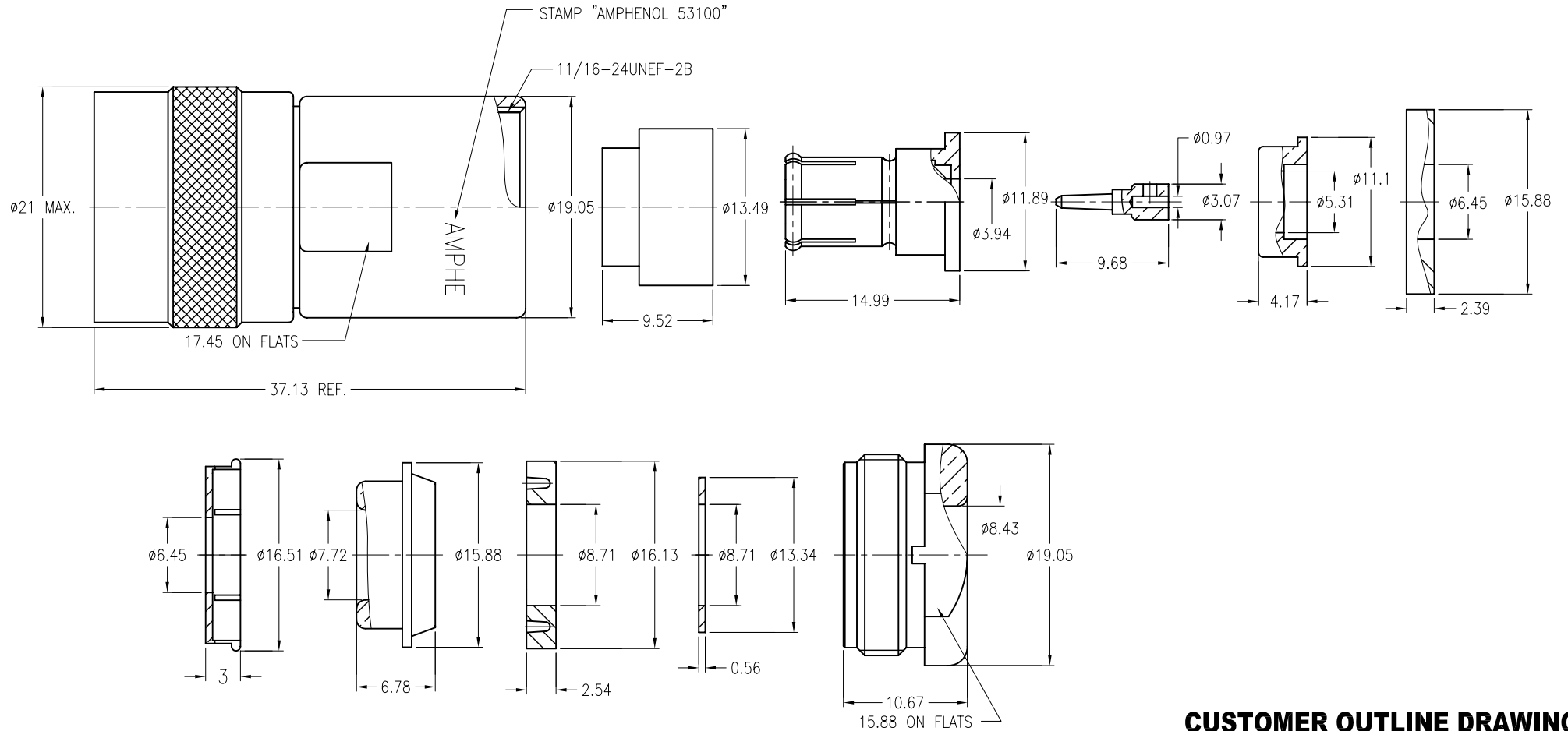
NOTES:

1. MATERIALS AND FINISHES  
 BODY - BRASS, NICKEL PLATING  
 CONTACT - BRASS, SILVER PLATING  
 INSULATOR - PTFE
2. ELECTRICAL:  
 A. IMPEDANCE: 50 OHM  
 B. DIELECTRIC WITHSTANDING VOLTAGE: 1500 VRMS, MIN.
3. CONTACT PIN TO SOLDER

THIRD ANGLE PROJ.

REVISIONS

| REV | DESCRIPTION                               | DATE       | ECO   | APPR |
|-----|---|------------|-------|------|
| A   | RELEASE TO MFG.                           | 05-07-03'  |       | TOM  |
| B   | SEE SHEET 1 \ RD-DM05081801R              | 08-18-05'  |       | SH   |
| L   | REDRAWN TO UPDATE FORMAT \ RD-DM09071601K | 10-Aug-09' | 47656 | SH   |



**CUSTOMER OUTLINE DRAWING**

ALL OTHER SHEETS ARE FOR INTERNAL USE ONLY

|  |           |                                   |                   |  |                  |          |  |                   |
|--|-----------|-----------------------------------|-------------------|--|------------------|----------|--|-------------------|
| <p>UNLESS OTHERWISE SPECIFIED, DIMENSIONS ARE IN METRIC AND TOLERANCES ARE:<br/>         0.5 - 6mm ±0.1mm    6 - 30mm ±0.2mm    30 - 120mm ±0.3mm    ANGLES ±1'</p> <p>NOTICE - These drawings, specifications, or other data (1) are, and remain the property of Amphenol Corp. (2) must be returned upon request; and (3) are confidential and not to be disclosed to any person other than those to whom they are given by Amphenol Corp. The furnishing of these drawings, specifications, or other data by Amphenol Corp., or to any other person to anyone for any purpose is not to be regarded by implication or otherwise in any manner licensing, granting rights or permitting such holder or any other person to manufacture, use or sell any product, process or design, patented or otherwise, that may in any way be related to or disclosed by said drawings, specifications, or other data.</p> | MATERIAL  | DRAWN<br>K.LI                     | DATE<br>23-Jul-09 | TITLE<br>TRIAxIAL PLUG<br>FOR ESSEX 21-527 CABLE |                  |          | Amphenol RF<br>Danbury CT USA, Tainan Taiwan, Shenzhen China<br>www.amphenolrf.com |                   |
|  | REFERENCE | ENGINEER<br>A.ZHENG               | DATE<br>08-18-05' | APPROVED<br>S.HSIEH                              |                  |          | DRAWING NO.<br>53100   | ITEM NO.<br>53100 |
|  | FINISH    | CAD FILE<br>F:\DWG\CNPD\53100-LSZ | DATE<br>23-Jul-09 | SCALE: 2/1                                       | SHEET 2 OF 2     | REV<br>L | PART NO.<br>53100  |                   |
|  |           |                                   |                   | DWG SIZE<br>B                                    | CODE ID<br>74868 |          |  |                   |