

4 3 2 1

THIS DRAWING IS UNPUBLISHED. RELEASED FOR PUBLICATION
 © COPYRIGHT - TE Connectivity Ltd. ALL RIGHTS RESERVED.

REVISIONS					
P	LTR	DESCRIPTION	DATE	DWN	APVD
	C	ECR-17-013893	10JAN2018	FL	HL

NOTE:

- MATERIAL:
 HOUSING: NY9T UL 94V-0, COLOR: (SEE TABLE).
 CAP: LCP UL 94V-0, COLOR: BLACK.
 CONTACTS: PHOSPHOR BRONZE.
- FINISH:
 CONTACTS: (SEE TABLE) GOLD PLATED ON CONTACT AREA, 2.54um [100u"] MIN. MATTE-TIN ON SOLDER TAIL, WITH ENTIRE CONTACT UNDERPLATED 1.27um [50u"] MIN. NICKEL.
- REFLOW SOLDER CAPABLE TO 260°C PER TEST SPEC. TEC-109-201, CONDITION B.
- WEIGHT:
 36 POS.: 2.9 GRAMS
 64 POS.: 4.0 GRAMS
 98 POS.: 5.4 GRAMS
 164 POS.: 9.1 GRAMS

⚠ FOR REFLOW PROCESS, THE CAP MUST BE ATTACHED, IT WILL PROTECT HOUSING WARPAGE.

	0.762um[30u"] MIN.	X-1734857-5
	0.381um[15u"] MIN.	X-1734857-4
OBSOLETE	0.254um[10u"] MIN.	X-1734857-3
OBSOLETE	-0.127um[5u"] MIN.	X-1734857-2
	0.0254um[1u"] MIN.	X-1734857-1
	GOLD PLATING	PART NUMBER

COLOR	DIMENSIONS				POSITION NUMBER	PART NUMBER
	87	70	71.65	89		
BLACK	87	70	71.65	89	164	8- -X
	54	37	38.65	56	98	7- -X
	37	20	21.65	39	64	6- -X
WHITE (NATURE)	23	6	7.65	25	36	5- -X
	87	70	71.65	89	164	4- -X
	54	37	38.65	56	98	3- -X
	37	20	21.65	39	64	2- -X
	23	6	7.65	25	36	1-1734857-X
	D	C	B	A		

THIS DRAWING IS A CONTROLLED DOCUMENT.		DWN B. HSING 05JUN2009	TE Connectivity Ltd.	
DIMENSIONS: mm		CHK S. CHIEN 05JUN2009		
TOLERANCES UNLESS OTHERWISE SPECIFIED:		APVD W. KODAMA 05JUN2009	NAME PCI EXPRESS CARD EDGE CONNECTOR STRADDLE MOUNT TYPE	
		PRODUCT SPEC 108-57854	DRAWING NO -	
MATERIAL SEE NOTE		FINISH SEE NOTE	APPLICATION SPEC -	RESTRICTED TO -
		WEIGHT 0	SIZE A3	CAGE CODE 00779
		CUSTOMER DRAWING	DRAWING NO C=1734857	SCALE 1:1
			SHEET 1 OF 4	REV C

1470-19 (1/15)

4

3

2

1

THIS DRAWING IS UNPUBLISHED.

RELEASED FOR PUBLICATION

-. - .

© COPYRIGHT - TE Connectivity Ltd.

ALL RIGHTS RESERVED.

REVISIONS

P	LTR	DESCRIPTION	DATE	DWN	APVD
-	-	SEE SHEET 1	-	-	-



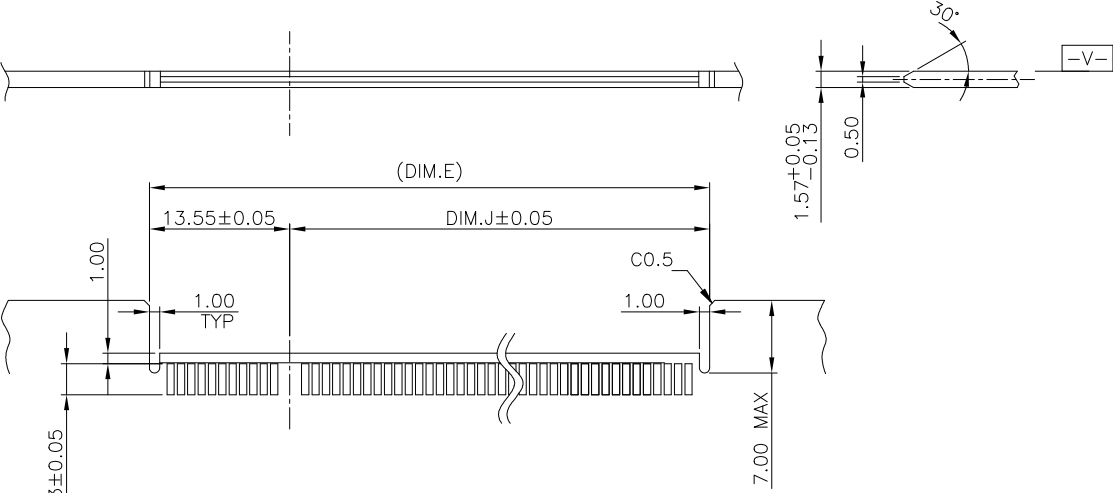
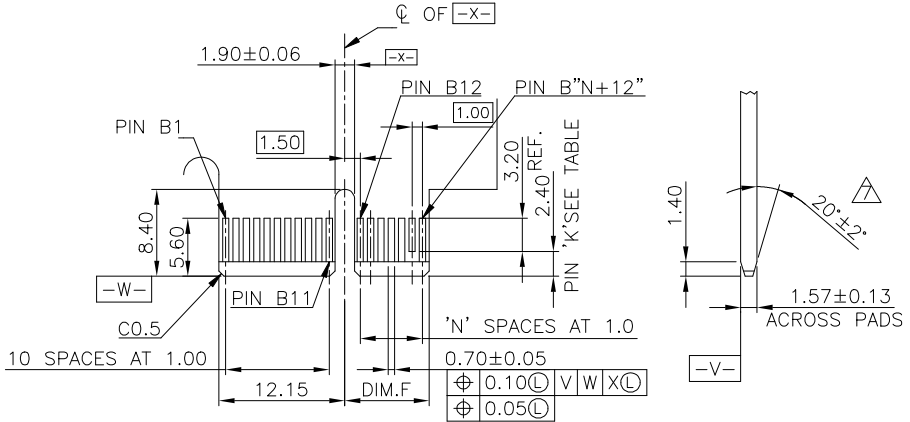
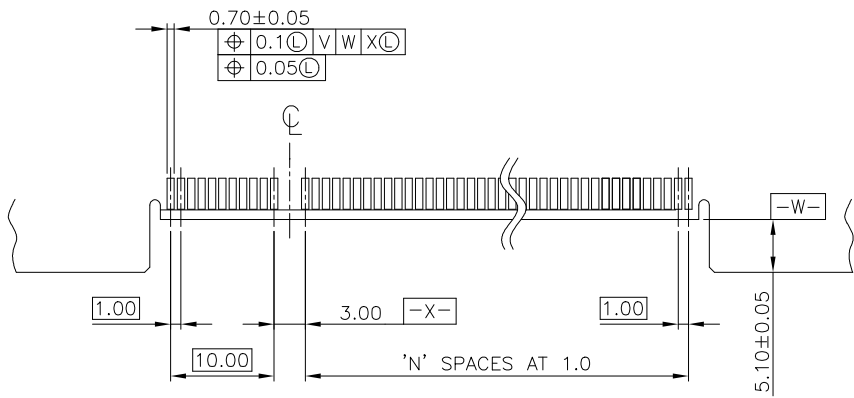
△ 5 ASSEMBLY WITH CAP CONDITION

36	20.4
64	34.4
98	51.4
164	84.4
POSITION	DIM F

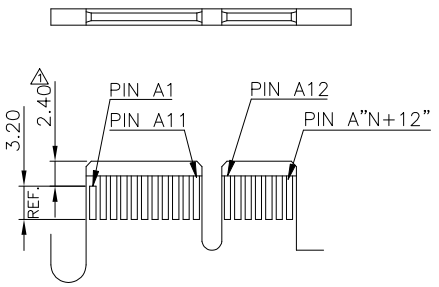
THIS DRAWING IS A CONTROLLED DOCUMENT.		DWN B. HSING 05JUN2009	TE Connectivity Ltd.	
		CHK S. CHIEN 05JUN2009		
DIMENSIONS: mm		APVD W. KODAMA 05JUN2009	NAME PCI EXPRESS CARD EDGE CONNECTOR STRADDLE MOUNT TYPE	
		PRODUCT SPEC 108-57854	-	
TOLERANCES UNLESS OTHERWISE SPECIFIED: 0 PLC ± - 1 PLC ± 0.3 2 PLC ± 0.2 3 PLC ± 0.15 4 PLC ± - ANGLES ± 3°		APPLICATION SPEC -	SIZE A3	CAGE CODE 00779
MATERIAL SEE NOTE		WEIGHT 0	DRAWING NO C=1734857	RESTRICTED TO -
FINISH SEE NOTE		CUSTOMER DRAWING		SCALE 1:1 SHEET 2 OF 4 REV C

THIS DRAWING IS UNPUBLISHED. RELEASED FOR PUBLICATION
 © COPYRIGHT - TE Connectivity Ltd. ALL RIGHTS RESERVED.

REVISIONS					
P	LTR	DESCRIPTION	DATE	DWN	APVD
-	-	SEE SHEET 1	-	-	-



I/O PANEL DIRECTION
 PRIMARY (COMPONENT) SIDE



SECONDARY (SOLDER) SIDE
 PCI-E ADD-IN CARD EDGE-FINGER DIMENSION.

RECOMMENDED PCB LAYOUT
 PCB TOLERANCE: ±0.05

164	70	87.1	73.55	72.15	B17,B31,B48,B81
98	37	54.1	40.55	39.15	B17,B31,B48
64	20	37.1	23.55	22.15	B17,B31
36	6	23.1	9.55	8.15	B17
POS.	N	DIM.E	DIM.J	DIM.F	"K"

6. NO TIE BAR PERMITTED FROM CARD EDGE TO LEADING EDGE OF PAD FOR PINS A1 AND "K"
 CHAMFER EDGE MUST BE FREE OF CUTTING BURRS

THIS DRAWING IS A CONTROLLED DOCUMENT.		DWN B. HSING 05JUN2009	TE Connectivity Ltd. PCI EXPRESS CARD EDGE CONNECTOR STRADDLE MOUNT TYPE				
DIMENSIONS: mm		CHK S. CHIEN 05JUN2009				NAME	
TOLERANCES UNLESS OTHERWISE SPECIFIED:		APVD W. KODAMA 05JUN2009				PRODUCT SPEC	
0 PLC ± - 1 PLC ± - 2 PLC ± - 3 PLC ± - 4 PLC ± - ANGLES ± -		APPLICATION SPEC					
MATERIAL SEE NOTE		FINISH SEE NOTE	WEIGHT 0	SIZE A3	CAGE CODE 00779		
CUSTOMER DRAWING			DRAWING NO C=1734857	RESTRICTED TO			
			SCALE 1:1	SHEET 3 OF 4	REV C		

THIS DRAWING IS UNPUBLISHED.

RELEASED FOR PUBLICATION

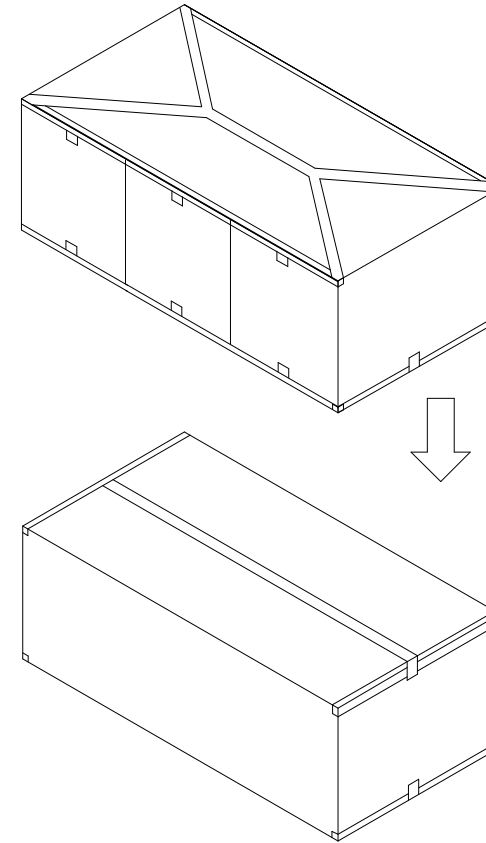
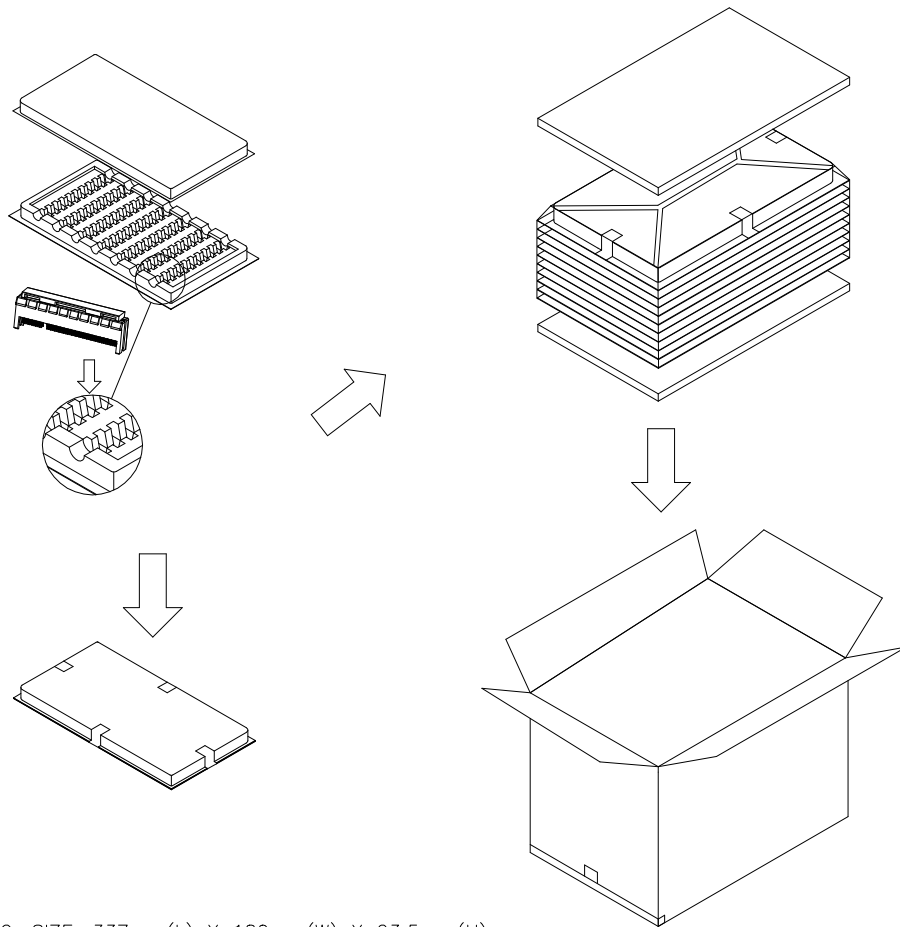
-. - .

© COPYRIGHT - TE Connectivity Ltd.

ALL RIGHTS RESERVED.

REVISIONS

P	LTR	DESCRIPTION	DATE	DWN	APVD
-	-	SEE SHEET 1	-	-	-



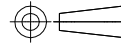
NOTES:

- 1. TRAY : PVC, SIZE: 337mm(L) X 180mm(W) X 23.5mm(H).
- 2. CARTON : CORRUGATED, SIZE: 353mm(L) X 199mm(W) X 223mm(H).
- 3. CARTON TRANSPARENT BAG : PE, SIZE: 560mm(L) X 400mm(W) X 0.05mm(H).
- 4. E.P.E SIZE: 336mm(L) X 182mm(W) X 8mm(H).
- 5. BOX TRANSPARENT BAG : PE, SIZE: 600mm(L) X 590mm(W) X 0.06mm(H).
- 6. BOX : CORRUGATED, SIZE: 603mm(L) X 371mm(W) X 240mm(H).
- 7. QUANTITY: SEE TABL

164	30	300	900	8.2	12.1
98	40	400	1200	6.5	10.4
64	60	600	1800	7.2	11.1
36	70	700	2100	6.1	10.0
POS No.	PIECES PER TRAY	PIECES PER CARTON	PIECES PER BOX	NET WEIGHT (Kg)	GROSS WEIGHT (Kg)

THIS DRAWING IS A CONTROLLED DOCUMENT.

DIMENSIONS: mm



MATERIAL SEE NOTE

TOLERANCES UNLESS OTHERWISE SPECIFIED:

- 0 PLC ± -
- 1 PLC ± -
- 2 PLC ± -
- 3 PLC ± -
- 4 PLC ± -
- ANGLES ± 3'

FINISH SEE NOTE

DWN 05JUN2009

B. HSING

CHK 05JUN2009

S. CHIEN

APVD 05JUN2009

W. KODAMA

PRODUCT SPEC

108-57854

APPLICATION SPEC

WEIGHT 0

TE Connectivity Ltd.



PCI EXPRESS CARD EDGE CONNECTOR STRADDLE MOUNT TYPE

SIZE A3 CAGE CODE 00779 DRAWING NO C=1734857

RESTRICTED TO

CUSTOMER DRAWING

SCALE 1:1

SHEET 4 OF 4

REV C