

REV	DATE	DESCRIPTION	DATE	DWN	APPV
A1		REVISED PER ECO-09-021480	080CT2009	CR	DG

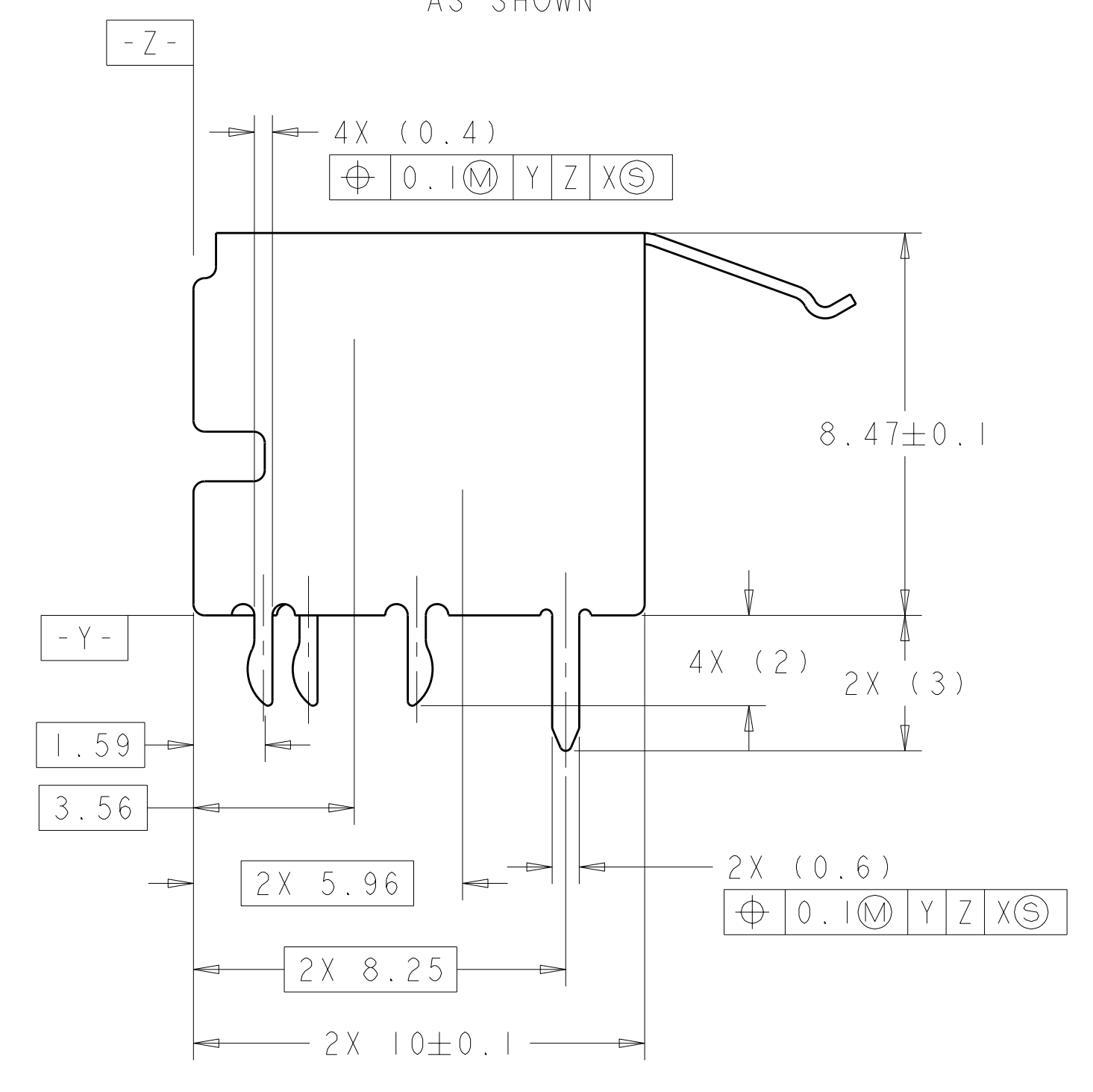
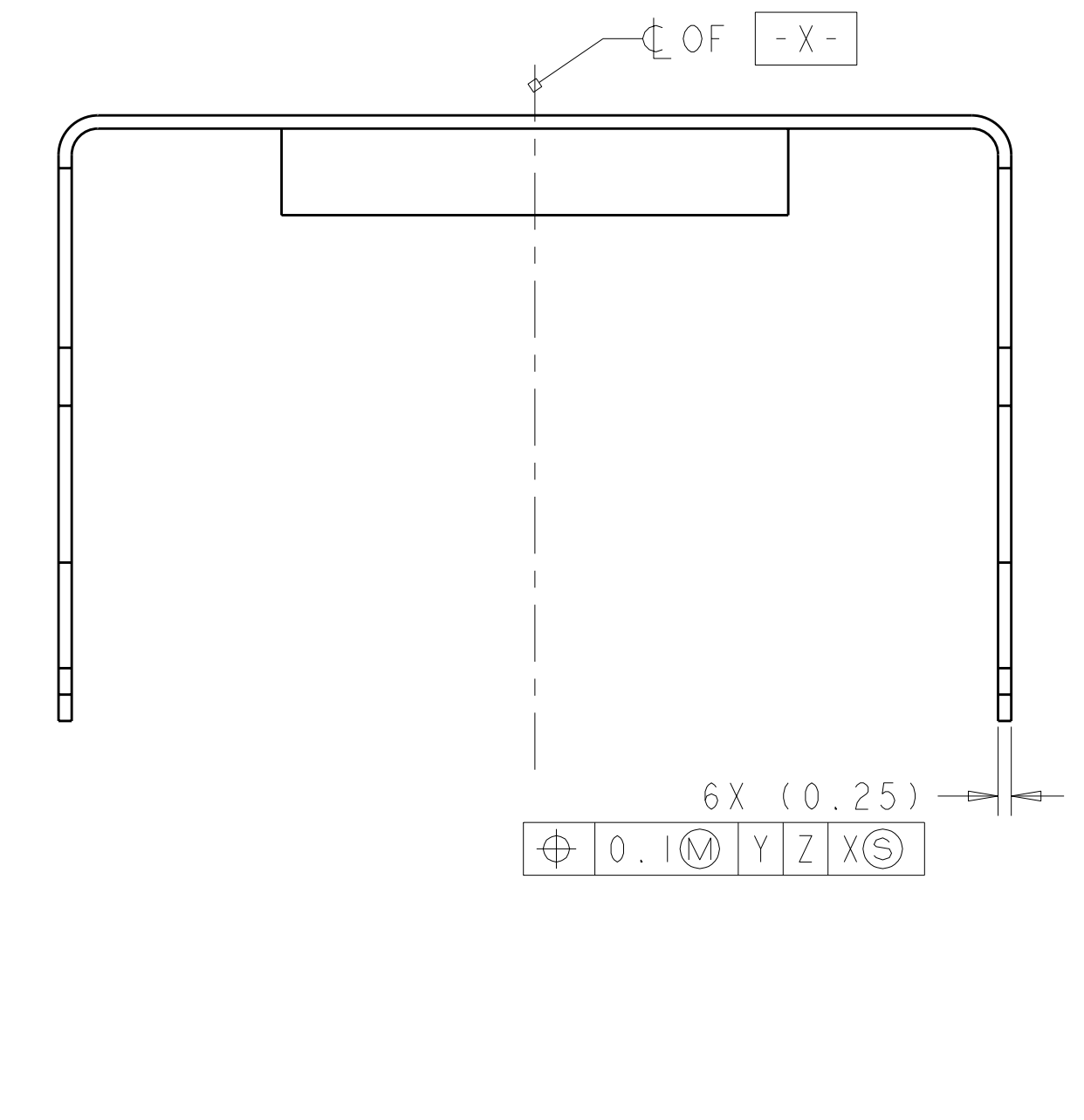
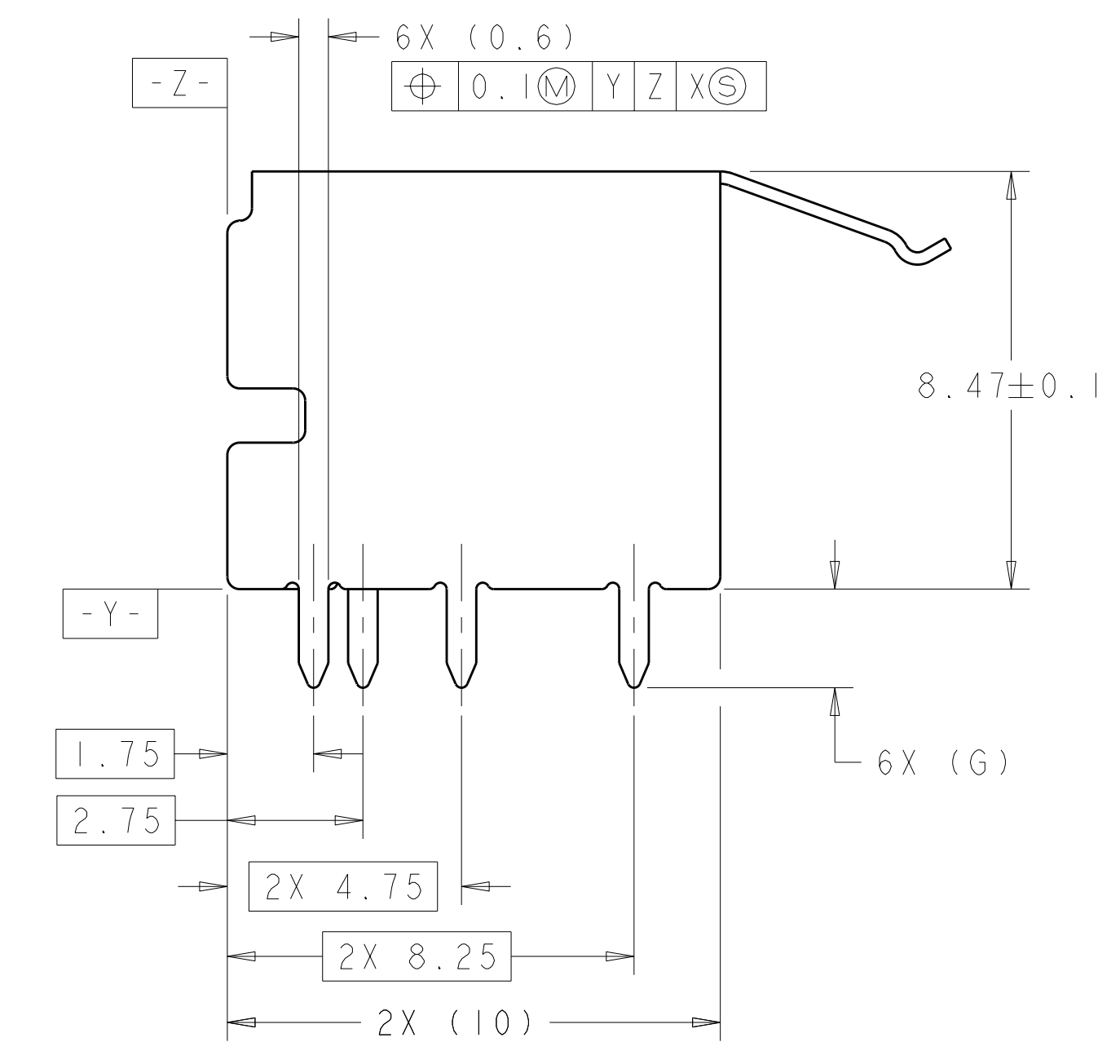
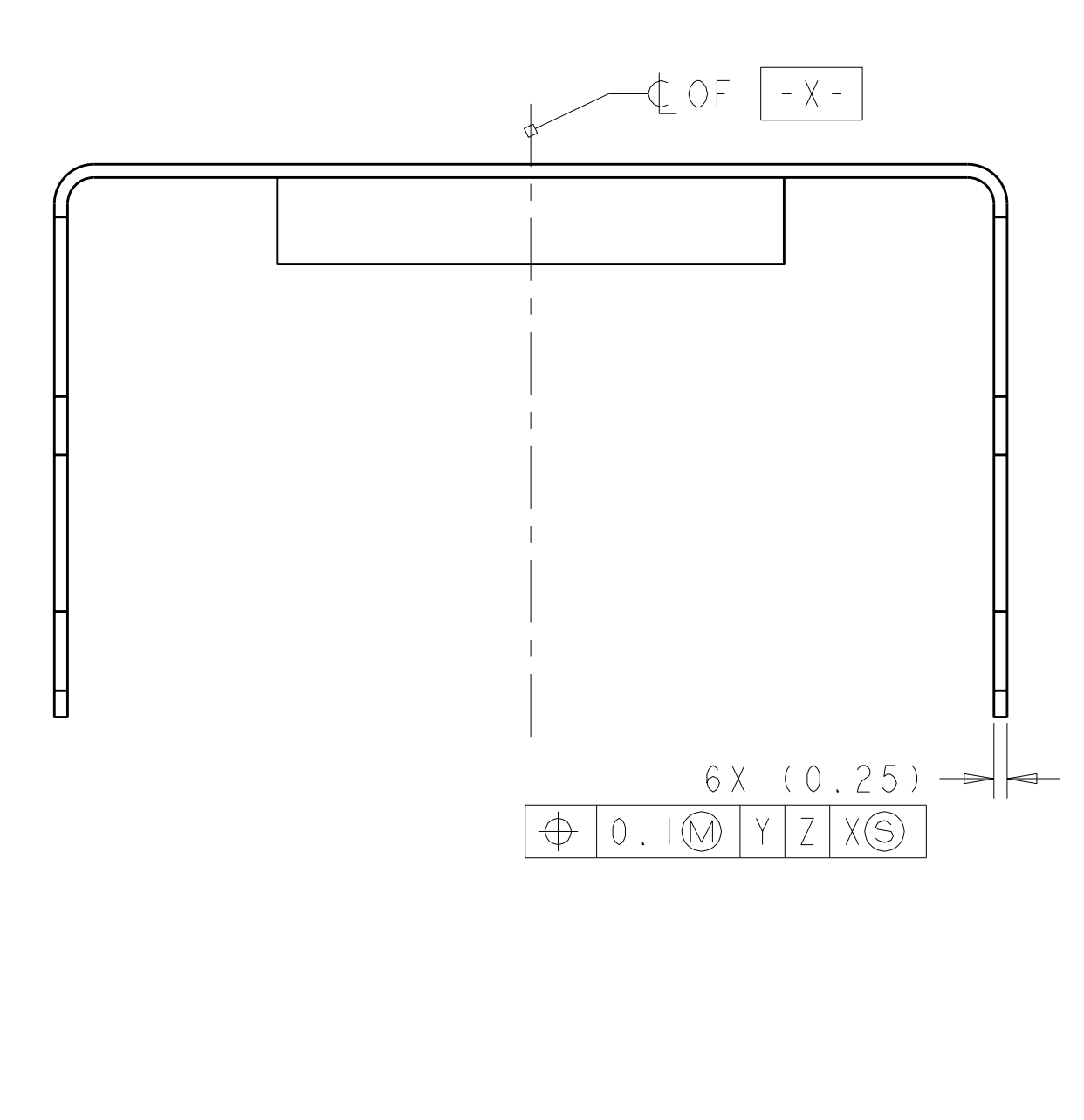
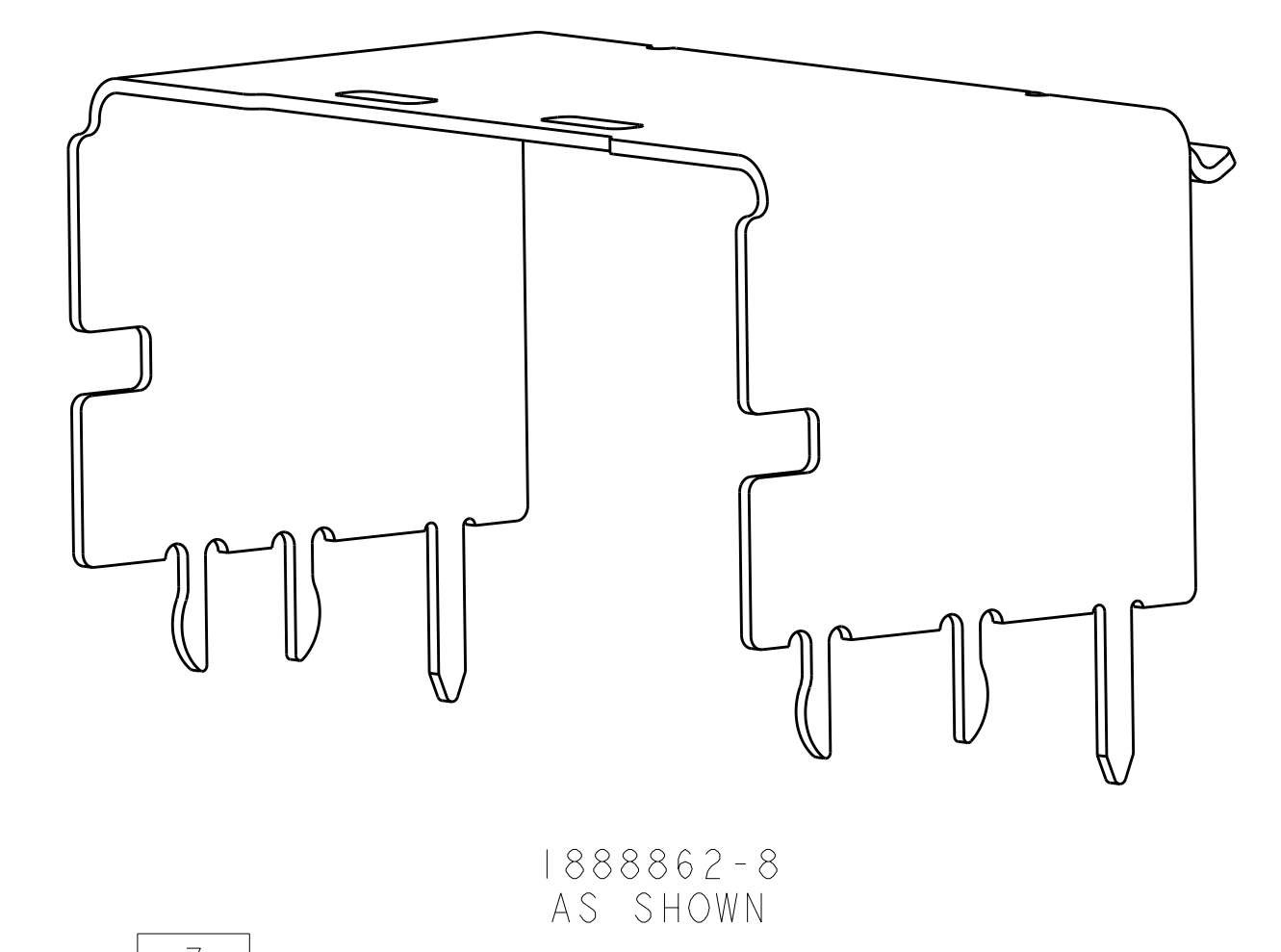
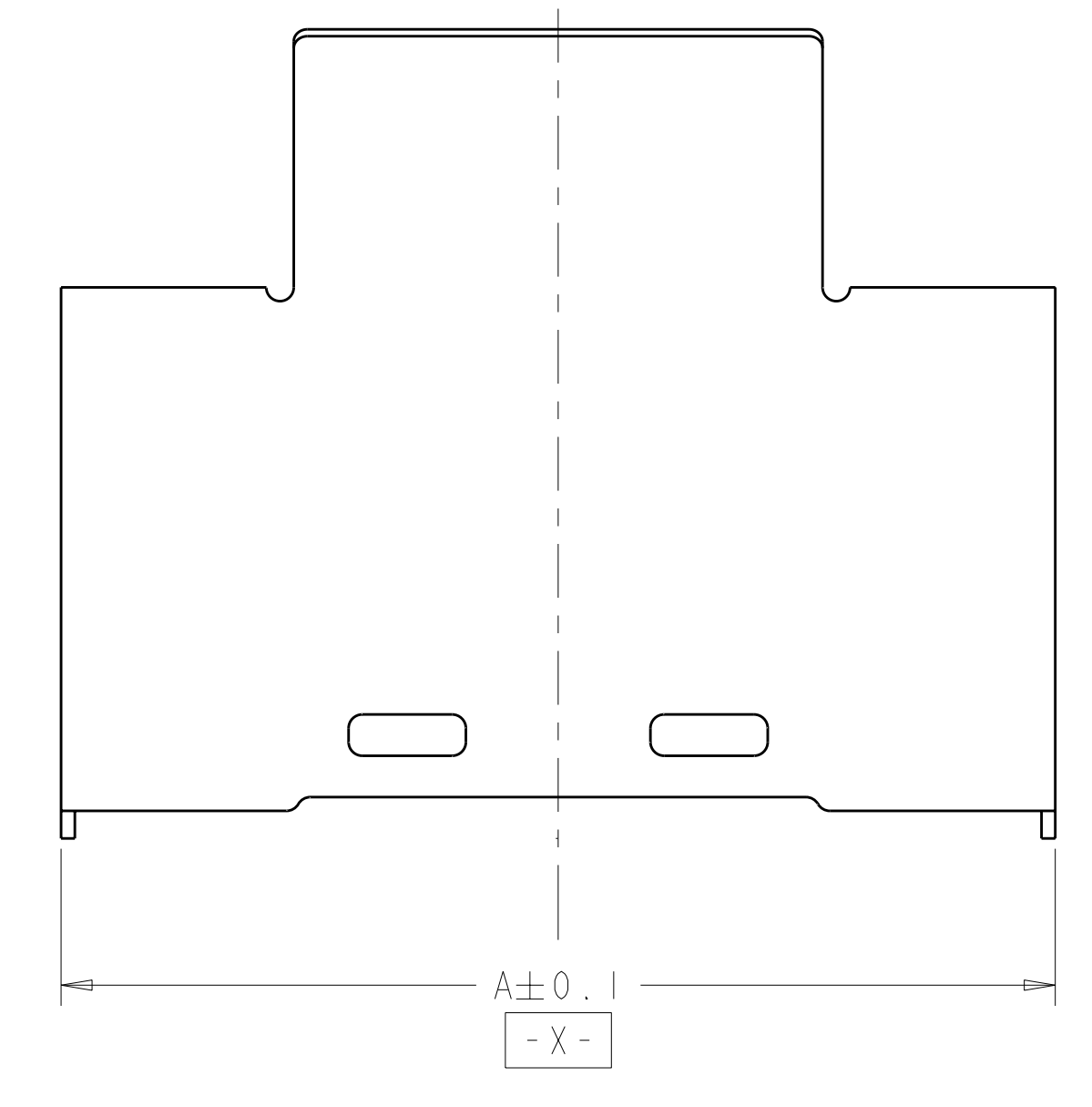
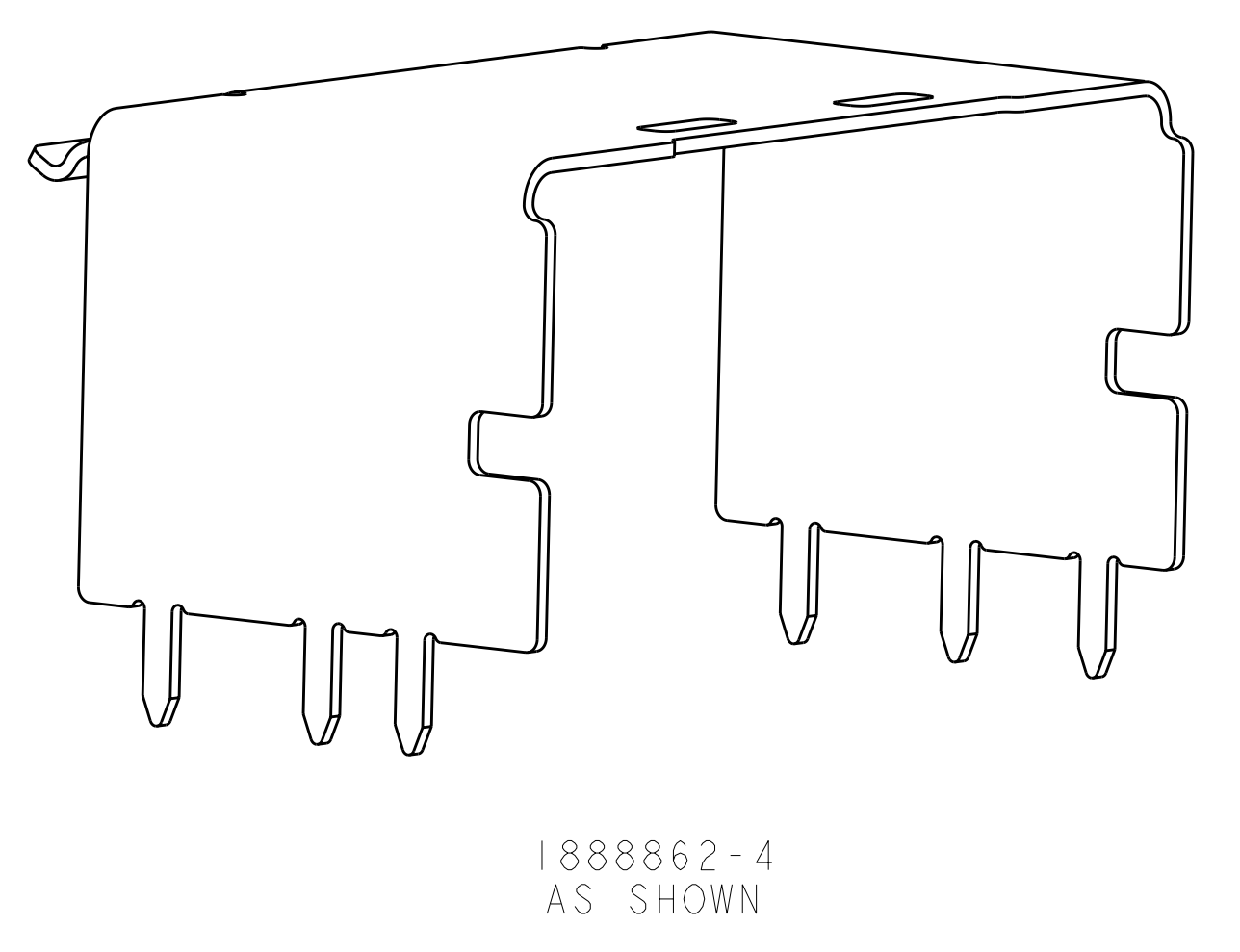
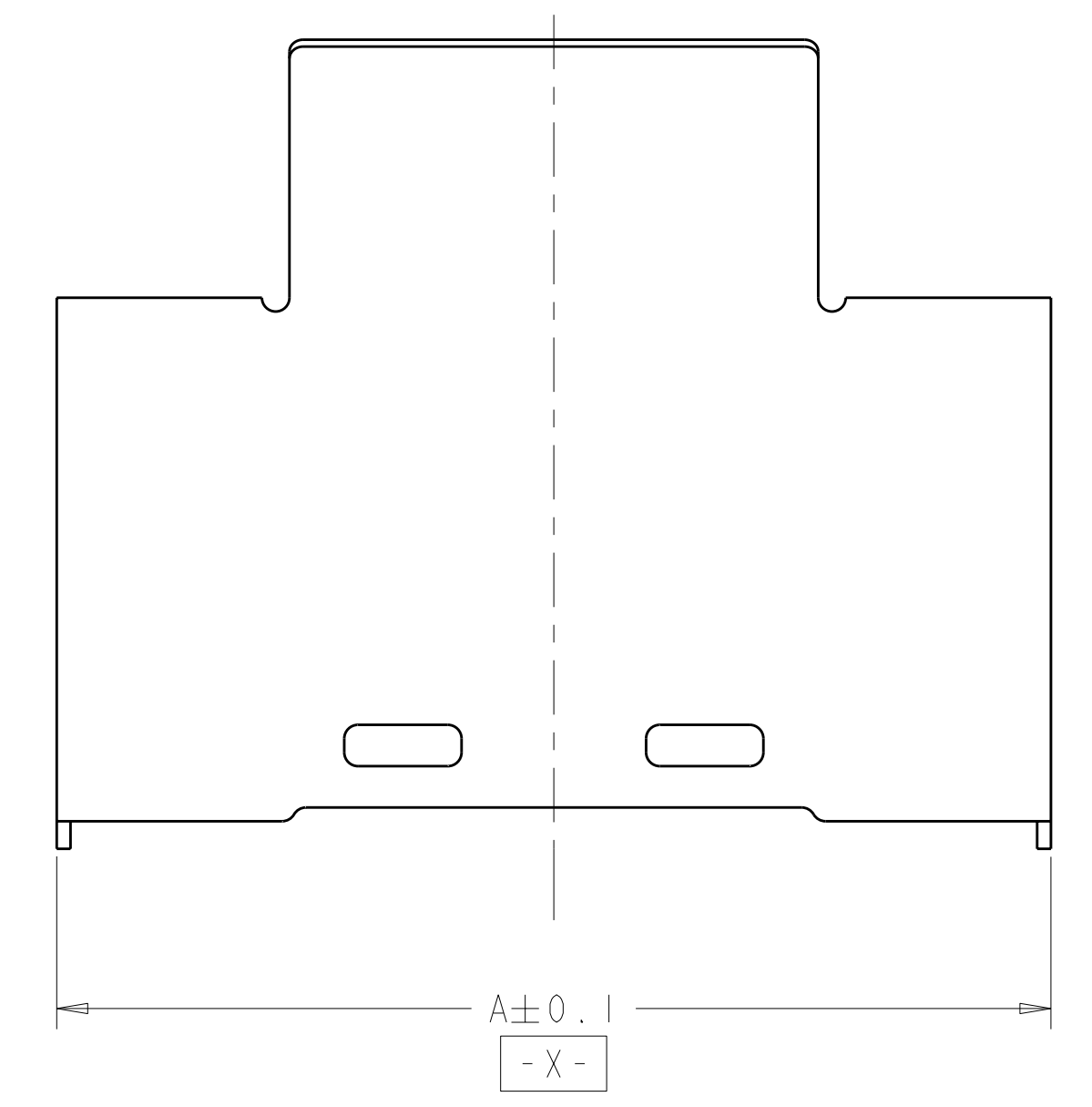


FIGURE M

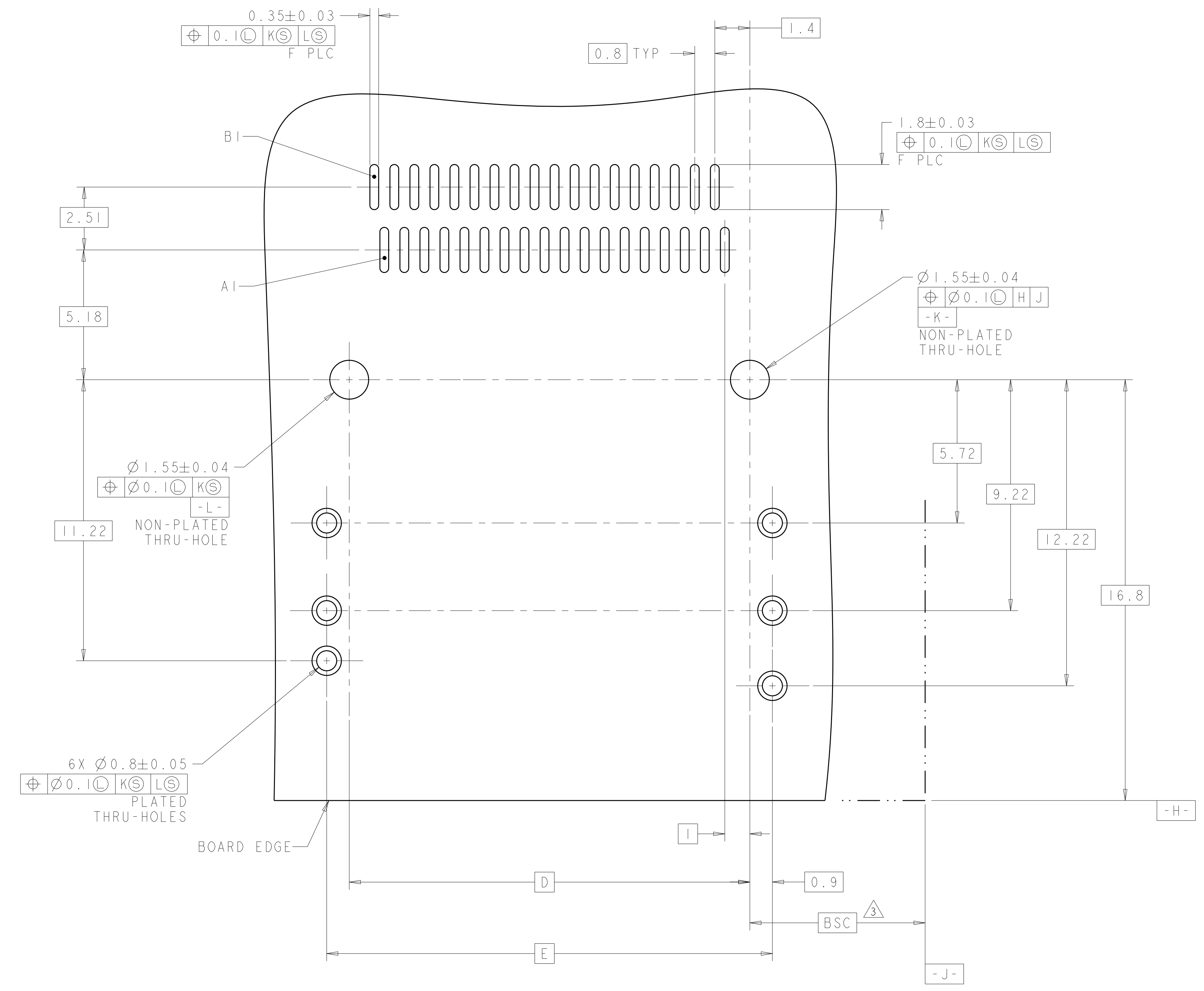
FIGURE N

- 1. MATERIAL: NICKEL-SILVER PER ASTM B 122.
- 2. SHELL ASSEMBLY TO BE USED WITH THE SURFACE MOUNT RECEPTACLE CONNECTOR PART NUMBER REFERENCED IN TABLE
- 3. DATUM AND BASIC DIMENSION ESTABLISHED BY CUSTOMER

M	1761987-2	3.5	36	17.8	16	18.05	36	I-1888862-6
M	1761987-2	2.8	36	17.8	16	18.05	36	I-1888862-2
N	1761987-2	-	36	17.8	16	18.05	36	1888862-8
M	1761987-2	2	36	17.8	16	18.05	36	1888862-4
FIGURE	CONNECTOR PART NUMBER	G	F	E	D	A	POSN	PART NUMBER

DIMENSIONS: mm TOLERANCES UNLESS OTHERWISE SPECIFIED: 0.150 ± 0.1 0.300 ± 0.1 0.600 ± 0.1 1.200 ± 0.1 2.400 ± 0.1 3.600 ± 0.1 4.800 ± 0.1 6.000 ± 0.1 7.200 ± 0.1 8.400 ± 0.1 9.600 ± 0.1 10.800 ± 0.1 12.000 ± 0.1 13.200 ± 0.1 14.400 ± 0.1 15.600 ± 0.1 16.800 ± 0.1 18.000 ± 0.1 19.200 ± 0.1 20.400 ± 0.1 21.600 ± 0.1 22.800 ± 0.1 24.000 ± 0.1 25.200 ± 0.1 26.400 ± 0.1 27.600 ± 0.1 28.800 ± 0.1 30.000 ± 0.1 31.200 ± 0.1 32.400 ± 0.1 33.600 ± 0.1 34.800 ± 0.1 36.000 ± 0.1 37.200 ± 0.1 38.400 ± 0.1 39.600 ± 0.1 40.800 ± 0.1 42.000 ± 0.1 43.200 ± 0.1 44.400 ± 0.1 45.600 ± 0.1 46.800 ± 0.1 48.000 ± 0.1 49.200 ± 0.1 50.400 ± 0.1 51.600 ± 0.1 52.800 ± 0.1 54.000 ± 0.1 55.200 ± 0.1 56.400 ± 0.1 57.600 ± 0.1 58.800 ± 0.1 60.000 ± 0.1 61.200 ± 0.1 62.400 ± 0.1 63.600 ± 0.1 64.800 ± 0.1 66.000 ± 0.1 67.200 ± 0.1 68.400 ± 0.1 69.600 ± 0.1 70.800 ± 0.1 72.000 ± 0.1 73.200 ± 0.1 74.400 ± 0.1 75.600 ± 0.1 76.800 ± 0.1 78.000 ± 0.1 79.200 ± 0.1 80.400 ± 0.1 81.600 ± 0.1 82.800 ± 0.1 84.000 ± 0.1 85.200 ± 0.1 86.400 ± 0.1 87.600 ± 0.1 88.800 ± 0.1 90.000 ± 0.1 91.200 ± 0.1 92.400 ± 0.1 93.600 ± 0.1 94.800 ± 0.1 96.000 ± 0.1 97.200 ± 0.1 98.400 ± 0.1 99.600 ± 0.1 100.000 ± 0.1		DWN: MCMASPER 21FEB07 CDR: D. GOBENC 21FEB07 APPV: D. GOBENC 21FEB07 NAME: D. GOBENC PRODUCT SPEC: 188-2234 APPLICATION SPEC: - SIZE: A CASE CODE: 1888862 DRAWING NO: 100779 PART NUMBER: 1888862 SCALE: 1:1 SHEET: 1 OF 2 REV: A1 CUSTOMER DRAWING	Tyco Electronics Harrisburg, PA 17105-3608 EVERCLEAR Mini-SAS INTERNAL SHELL, RIGHT ANGLE RECEPTACLE, UNKEYED
--	--	---	--

REV ISN		REVISIONS			
NO	DATE	DESCRIPTION	DATE	DWN	APPD
GP	00	SEE SHEET 1	-	-	-



RECOMMENDED PCB LAYOUT
 SCALE 10:1

DIMENSIONS: mm 		TOLERANCES UNLESS OTHERWISE SPECIFIED: 0 PLG ±. 1 PLG ±. 2 PLG ±0.1 3 PLG ±. 4 PLG ±. ENDS ±. FINISH ±.		DWN: MCMASPER 21FEB01 CH: D. GOBENC 21FEB01 PROD: D. GOBENC 21FEB01 NAME: Tyco Electronics Tyco Electronics Harrisburg, PA 17105-3608	
MATERIAL: . FINISH: .		WEIGHT: . CUSTOMER DRAWING: .		PRODUCT SPEC: 108-2234 APPLICATION SPEC: . SIZE: A 00779 C=1888862 RESTRICTED TO: . SCALE: 5:1 SHEET 2 OF 2 REV A1	