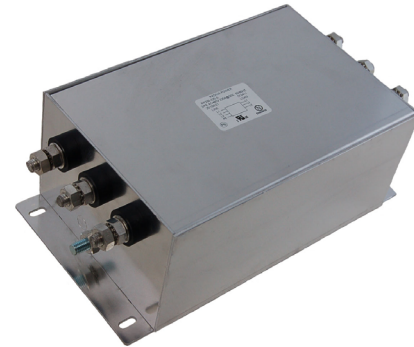


## RP330 Series

## 3-Phase Delta Dual Stage Power Line Filter

### RP330 3PHASE DELTA TO 250A

ROHS COMPLIANT



### SPECIFICATIONS

Operating Freq.	: 50/60Hz
Usable Freq.	: DC - 400Hz
Max. Operating Voltage	: 480V +10%
Ambient Temperature	: -25 to 50C
Climatic Category	: 25/100/21
Hipot Rating (L-G)	: 3500VDC
Terminals (-T)	: S: 10/16/25/50A (M5) 80/100A (M6) 150/200/250A (M10)
Safety Approvals	: cURus, EN60939

### LEAKAGE CURRENT

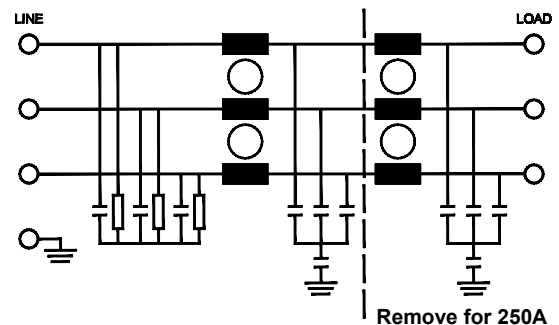
Y-cap, nF	mA, 480V/60Hz
0	0
10	0.1
100	1
1000	10
2000	20

### PART NUMBER/ ORDERING

RP330	-X (Amps)	-Y (Ycap, nF)	-T	Weight LBS (KG) Typ.
	10	0	S	2.5 (1.1)
	16	10		2.5 (1.1)
	25	100		5.0 (2.3)
	50	1000		5.0 (2.3)
	80	2000		6.0 (2.7)
	100			6.0 (2.7)
	150			17.0 (7.7)
	200			17.0 (7.7)
	250			17.0 (7.7)

**Note:** Use any combination of -Y with any -X (Amps) rating  
e.g. RP330-100-100-S (100 Amps with 100nF Ycap)

### SCHEMATIC



## RP330

### Typical Insertion Loss, dB (50/50ohm)

### Mechanical Dimensions

10 Amp					
FREQ (MHz)	.15	.5	1	10	30
CM (dB)	55	68	70	50	40
DM (dB)	52	65	70	60	30

16 Amp					
FREQ (MHz)	.15	.5	1	10	30
CM (dB)	53	65	70	50	40
DM (dB)	52	64	68	58	34

25 Amp					
FREQ (MHz)	.15	.5	1	10	30
CM (dB)	56	66	72	54	36
DM (dB)	58	70	70	54	42

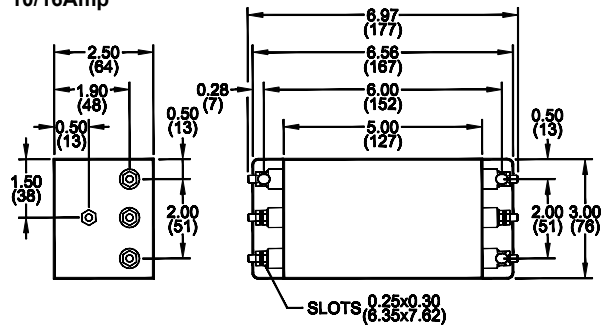
50 Amp					
FREQ (MHz)	.15	.5	1	10	30
CM (dB)	50	63	68	49	38
DM (dB)	57	65	70	52	34

80/100 Amp					
FREQ (MHz)	.15	.5	1	10	30
CM (dB)	52	65	70	50	37
DM (dB)	55	60	65	58	40

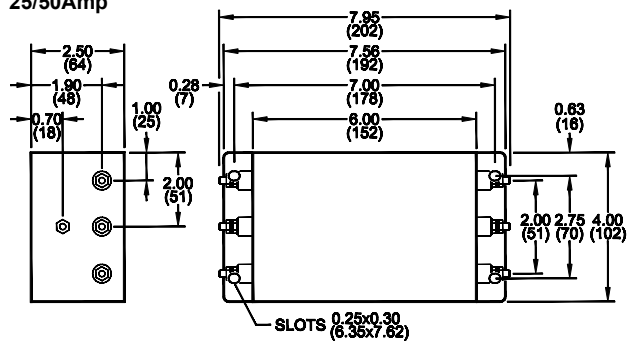
150/200 Amp					
FREQ (MHz)	.15	.5	1	10	30
CM (dB)	60	70	70	52	38
DM (dB)	54	65	70	60	40

250 Amp					
FREQ (MHz)	.15	.5	1	10	30
CM (dB)	48	57	65	50	32
DM (dB)	50	65	70	48	30

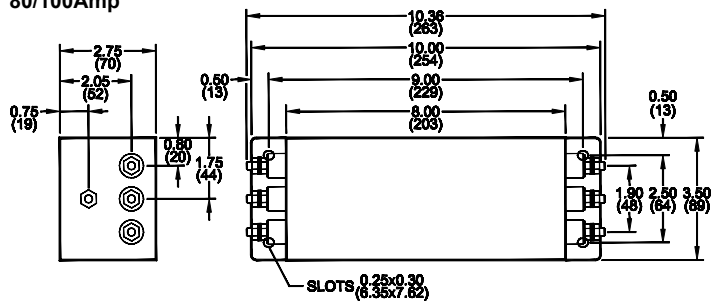
10/16Amp



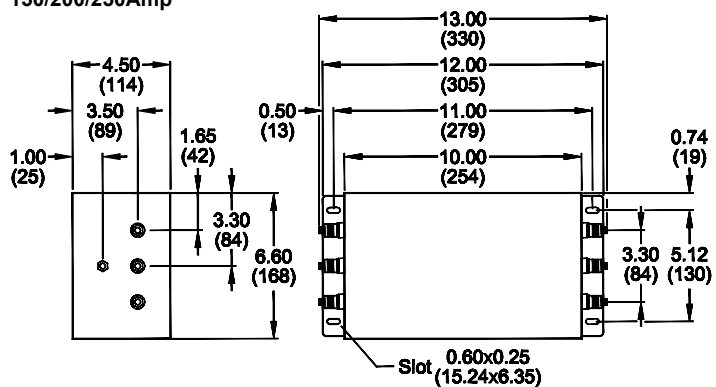
25/50Amp



80/100Amp



150/200/250Amp



TYPICAL TOLERANCE: +/-0.02 (0.50)

[www.radiuspower.com](http://www.radiuspower.com)

Reference purposes only.  
 Specifications are subject to change.  
 Consult factory to verify specifications.