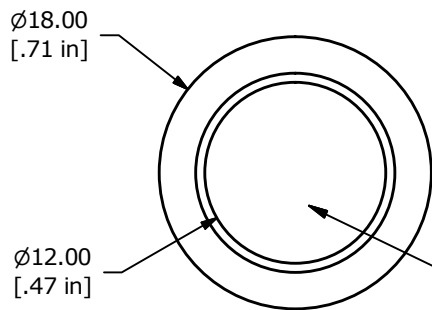


PANEL CUTOUT  
MAX. PANEL THICKNESS 6.0mm

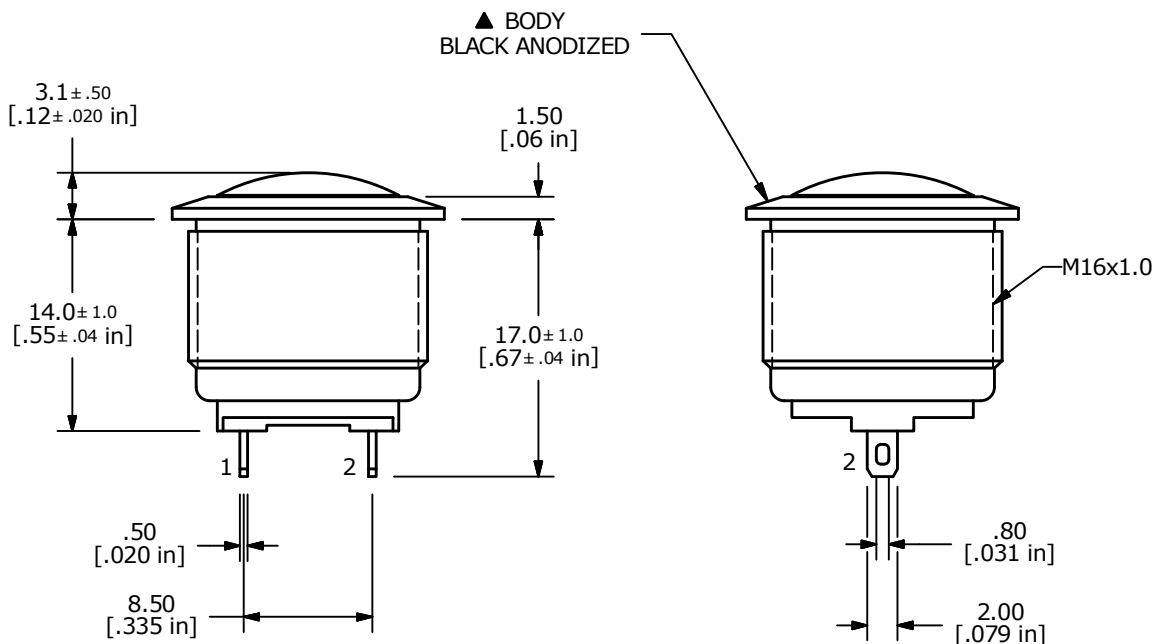
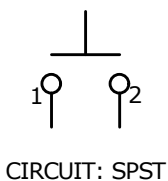


▲ DOMED ACTUATOR  
BLACK ANODIZED



▲ SWITCH FUNCTION	
POS. 1	POS. 2
OFF	(ON)
OPEN	1-2

(ON) = MOMENTARY



- NOTE:
- ALL DIMENSIONS IN MM [INCH]
  - GENERAL TOLERANCE: X.X = ±0.4  
X.XX = ±0.25
  - TERMINAL NUMBERS FOR REF ONLY
  - CONTACT MATERIAL: SILVER
  - ▲ 5. RATING: 2A 48VDC
  6. TRAVEL: 1.5 ± 0.2mm
  7. ELECTRIC LIFE: 200,000 MAKE-AND-BREAK CYCLES
  8. INSULATION RESISTANCE: 1,000 MΩ MIN.
  9. DIELECTRIC STRENGTH: 2,000 VAC MIN. FOR 1 MINUTE
  10. CONTACT RESISTANCE: 50mΩ MAX. @ 1A 12VDC
  11. OPERATING TEMP.: -20°C to 55°C
  - ▲ 12. DENOTES CRITICAL PARAMETER
  - ▲ 13. INGRESS PROTECTION: IP65
  14. HARDWARE SUPPLIED: O-RING AND HEXNUT
  15. 2002/95/EC (ROHS) COMPLIANT



A	22343	New Release	6/8/16	MW
REV	PCR NO	DESCRIPTION	DATE	BY

TITLE PV2S24011				
SCALE	DATE	DR	DWG	REV
2:1	6/8/2016	MW	52-PV2S24011	A

THE INFORMATION CONTAINED IN THIS DOCUMENT IS PROPRIETARY TO E-SWITCH AND IS NOT TO BE COPIED OR TRANSFERRED