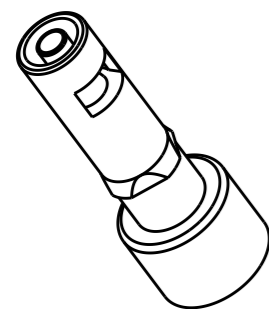


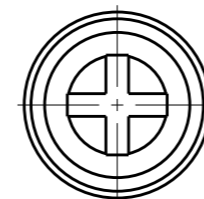
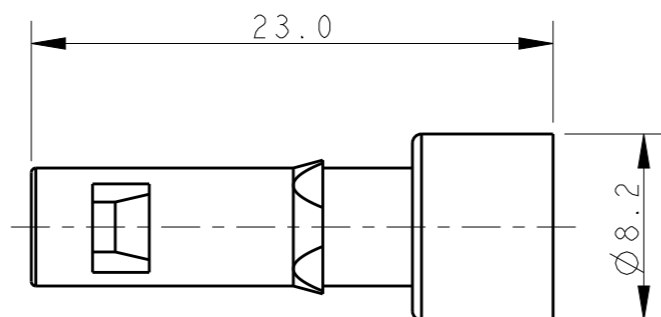
REVISIONS

P	LTR	DESCRIPTION	DATE	DWN	APVD
	A	INITIAL	10MAR2017	RL	CW

T2090012201-001 Pneu-c-Fw1.6



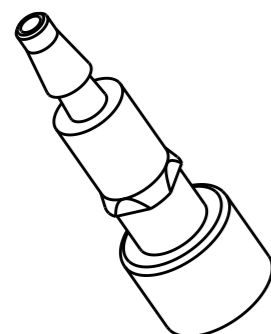
SCALE 2:1



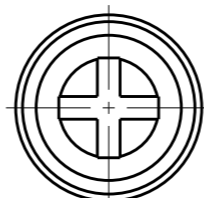
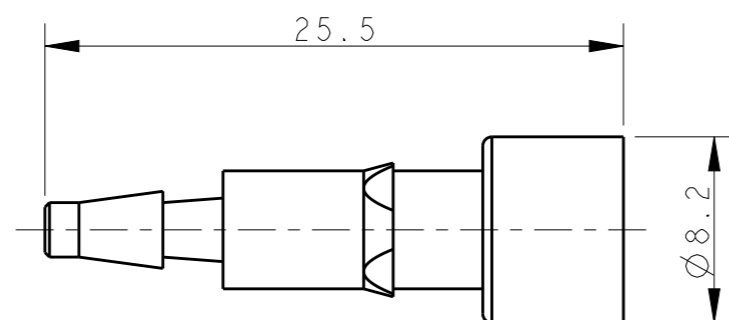
NOTES:

- MATERIAL: PC;  
SEALING MATERIAL: RUBBER
- TUBE ID:  
- 1.6 / 3.0 / 4.0mm  
(MATED WITH T2111032301-000 HMN-PA3)  
- 6.0mm (MATED WITH T2111022301-000 HMN-PA2)

T2090012201-002 Pneu-c-Fw3.0



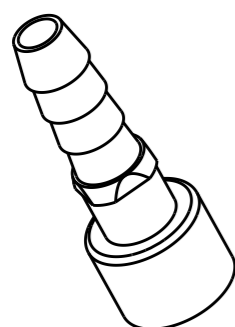
SCALE 2:1



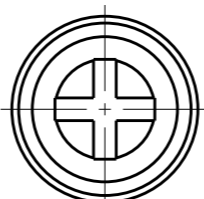
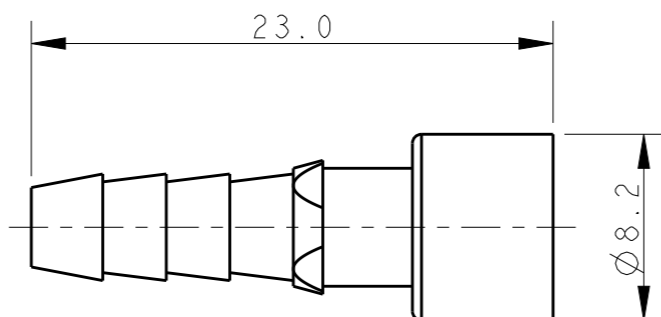
注释:

- 材料: PC;  
密封材料: 橡胶
- 导管内径:  
- 1.6 / 3.0 / 4.0mm  
(与T2111032301-000 HMN-PA3配合)  
- 6.0mm (与T2111022301-000 HMN-PA2配合)

T2090012201-003 Pneu-c-Fw4.0



SCALE 2:1



T2090012201-001	Pneu-c-Fw1.6	Pneu-c Ø1.6 SOCKET CONTACT, WITH SHUT OFF Pneu-c Ø1.6母针, 带封闭气阀	1.6
T2090012201-002	Pneu-c-Fw3.0	Pneu-c Ø3.0 SOCKET CONTACT, WITH SHUT OFF Pneu-c Ø3.0母针, 带封闭气阀	3.0
T2090012201-003	Pneu-c-Fw4.0	Pneu-c Ø4.0 SOCKET CONTACT, WITH SHUT OFF Pneu-c Ø4.0母针, 带封闭气阀	4.0
PART NUMBER 料号		PART DESCRIPTION 描述	TUBE ID 导管内径(Ø/mm)

THIS DRAWING IS A CONTROLLED DOCUMENT.

DIMENSIONS:	TOLERANCES UNLESS OTHERWISE SPECIFIED:
mm	
	0 PLC ±-
	1 PLC ±-
	2 PLC ±-
	3 PLC ±-
	4 PLC ±-
	ANGLES ±-
MATERIAL	FINISH
-	-
-	-

DWN	10MAR2017
ROY LIU	
CHK	10MAR2017
KYLE ZENG	
APVD	10MAR2017
CHRIS WANG	

TE Connectivity		NAME	
		Pneu-c-FwXX	
PRODUCT SPEC	-	APPLICATION SPEC	-
WEIGHT	-	SIZE	A3
CUSTOMER DRAWING	SCALE	DRAWING NO	RESTRICTED TO
-	3:1	©-T209001220100X	-
	SHEET	1 OF 2	REV
			A

4

3

2

1

THIS DRAWING IS UNPUBLISHED.

RELEASED FOR PUBLICATION

20

© COPYRIGHT 20

BY -

ALL RIGHTS RESERVED.

REVISIONS

P	LTR	DESCRIPTION	DATE	DWN	APVD
		SEE SHEET 1			

T2090012201-004 Pneu-c-Fw6.0

SCALE 2:1

NOTES:  
SEE SHEET 1

T2090012201-004	Pneu-c-Fw6.0	Pneu-c Ø6.0 SOCKET CONTACT WITH SHUT OFF Pneu-c Ø6.0母针, 带封闭气阀	6.0
PART NUMBER 料号	PART DESCRIPTION 描述		TUBE ID 导管内径(Ø/mm)

THIS DRAWING IS A CONTROLLED DOCUMENT.		DWN ROY LIU 10MAR2017		
DIMENSIONS: mm		CHK KYLE ZENG 10MAR2017		
TOLERANCES UNLESS OTHERWISE SPECIFIED:		APVD CHRIS WANG 10MAR2017	NAME Pneu-c-FwXX	
0 PLC ±-		PRODUCT SPEC	-	
1 PLC ±-		APPLICATION SPEC	-	
2 PLC ±-		WEIGHT	-	
3 PLC ±-		CUSTOMER DRAWING	SIZE A3	CAGE CODE -
4 PLC ±-		FINISH	DRAWING NO T209001220100X	
ANGLES ±-		MATERIAL	RESTRICTED TO -	
-			SCALE 3:1	SHEET 2 OF 2
-			REV A	

1470-19 (3/13)