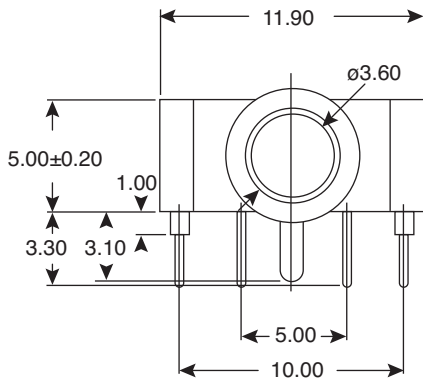
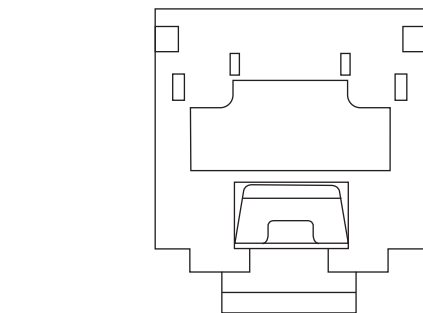


# Phone Jack 3.5mm Stereo

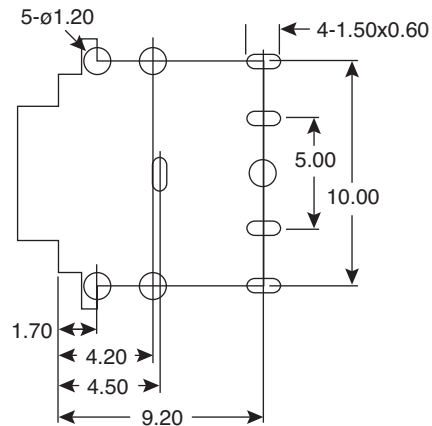
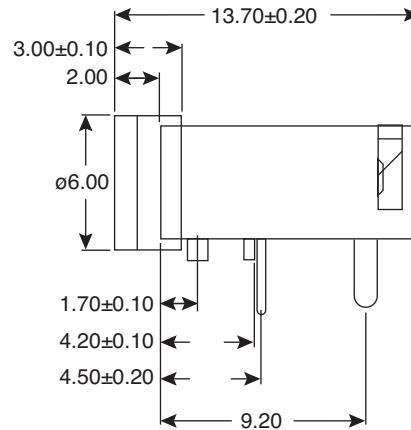
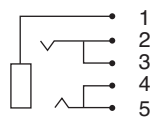
161-3525L-E



Phone Jack 3.5mm Stereo



Schematic



Pin Hole Layout  
(Bottom View)

Dimensions: mm

## MATERIAL SPECIFICATIONS

<b>Housing:</b>	PBT, Black
<b>Barrel:</b>	Brass, Nickel Plated
<b>Tip Spring:</b>	0.25T TicuR1-M-EH, Silver Plated
<b>Break Terminal:</b>	0.3T Brass, Silver Plated
<b>Ring Spring:</b>	0.2T TicuR1-M-EH, Silver Plated
<b>Earth Terminal:</b>	0.25T Phosphor Bronze, Silver Plated

## ELECTRICAL SPECIFICATIONS

<b>Contact Resistance:</b>	30mΩ Max.
<b>Insulation Resistance:</b>	1000MΩ Min.
<b>Withstanding Voltage:</b>	500 V AC/minute
<b>RoHS Compliant</b>	

Date Last Revised: 10/27/08

Available from Mouser Electronics  
1-800-346-6873 / [www.mouser.com](http://www.mouser.com)

KC-301272

Specifications are subject to change without notice. No liability or warranty implied by this information. Environmental compliance based on producer documentation.

161-3525L-E