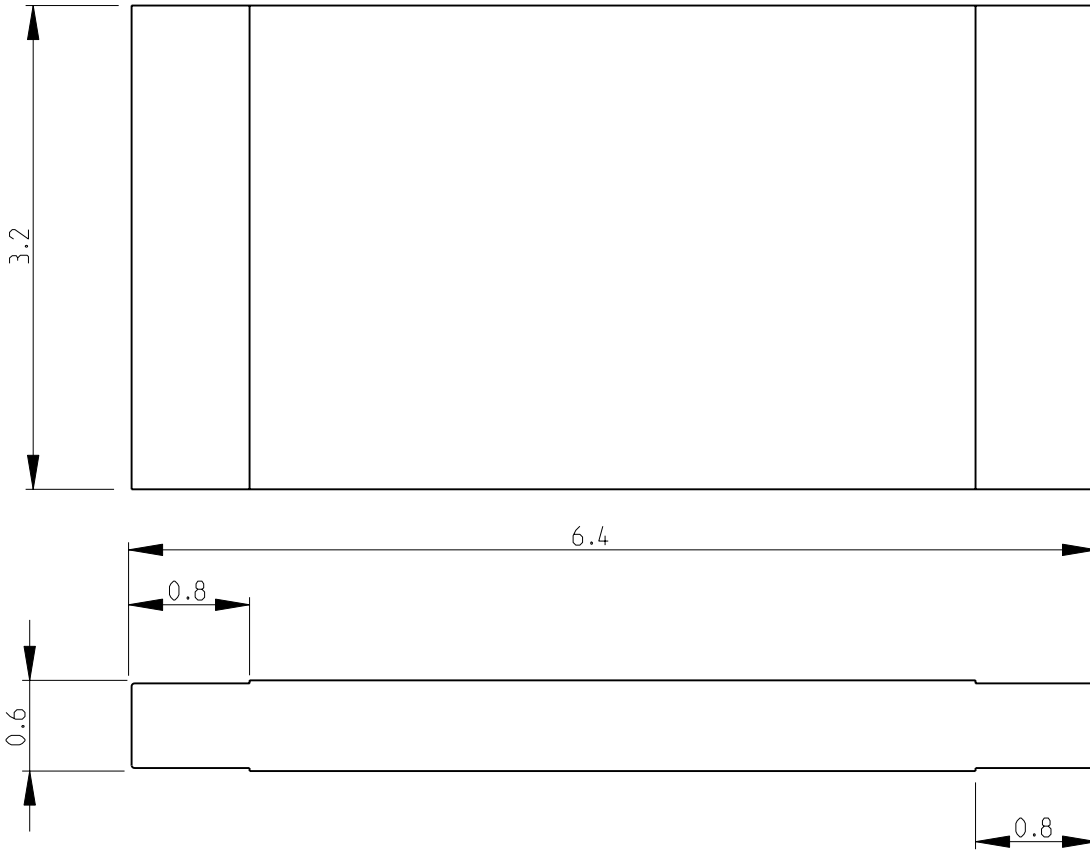
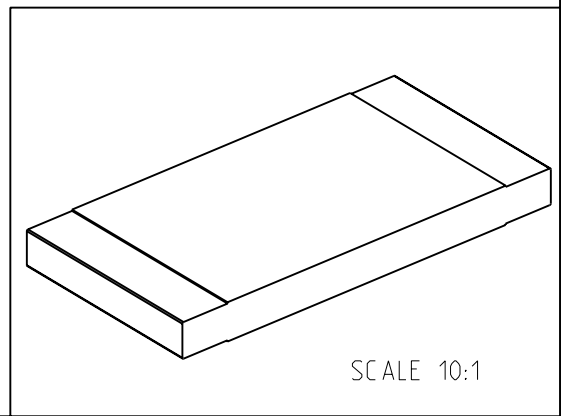


LOC	DIST	REVISIONS			
P	LTR	DESCRIPTION	DATE	DWN	APVD
E	B	BA1	REVISED PER ECO-11-005150	11MAY2011	RK HMR

FOR FURTHER INFORMATION SEE DATA SHEET FOR SERIES TL3A - SMD LOW-OHMIC CURRENT SENSE RESISTORS



RoHS Compliant




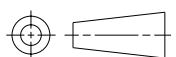
2009

RELEASED FOR PUBLICATION

ALL RIGHTS RESERVED.

THIS DRAWING IS UNPUBLISHED.

© COPYRIGHT 2009

DIMENSIONS: mm	DWN SUBHASH.M	07-JAN-09	MATERIAL	-	FINISH	-
	CHK PRAKASH.S	07-JAN-09	 TE Connectivity			
TOLERANCES UNLESS OTHERWISE SPECIFIED:	APVD STEPHEN.P	07-JAN-09				
	0 PLC ±0.2	PRODUCT SPEC	NAME SMD LOW-OHMIC CURRENT SENSE RESISTORS			
1 PLC ±0.1	-	SERIES TL3A				
2 PLC ±	APPLICATION SPEC	SIZE	CAGE CODE	DRAWING NO	RESTRICTED TO	
3 PLC ±	-	A 4	00779	C-1625827	-	
4 PLC ±	WEIGHT	CUSTOMER DRAWING				
ANGLES ±5°	-	SCALE	20:1	SHEET	1 OF 1	
					REV BA1	