

# MICRO SWITCH

FREEPORT, ILLINOIS, U S A  
A DIVISION OF HONEYWELL INC.

FED. MFG. CODE 91929

# PACKET

CATALOG LISTING  
**19PA126-MA**

THIS DRAWING COVERS A PROPRIETARY ITEM AND IS THE PROPERTY OF MICRO SWITCH. A DIVISION OF HONEYWELL. THIS DRAWING IS NOT TO BE COPIED OR USED WITHOUT THE APPROVAL OF MICRO SWITCH.

**M** 19PA126-MA

DRAWING  
NUMBER

ISSUE

RELEASE NO. PR-4043 REPLACES X81859-PA

CHECK

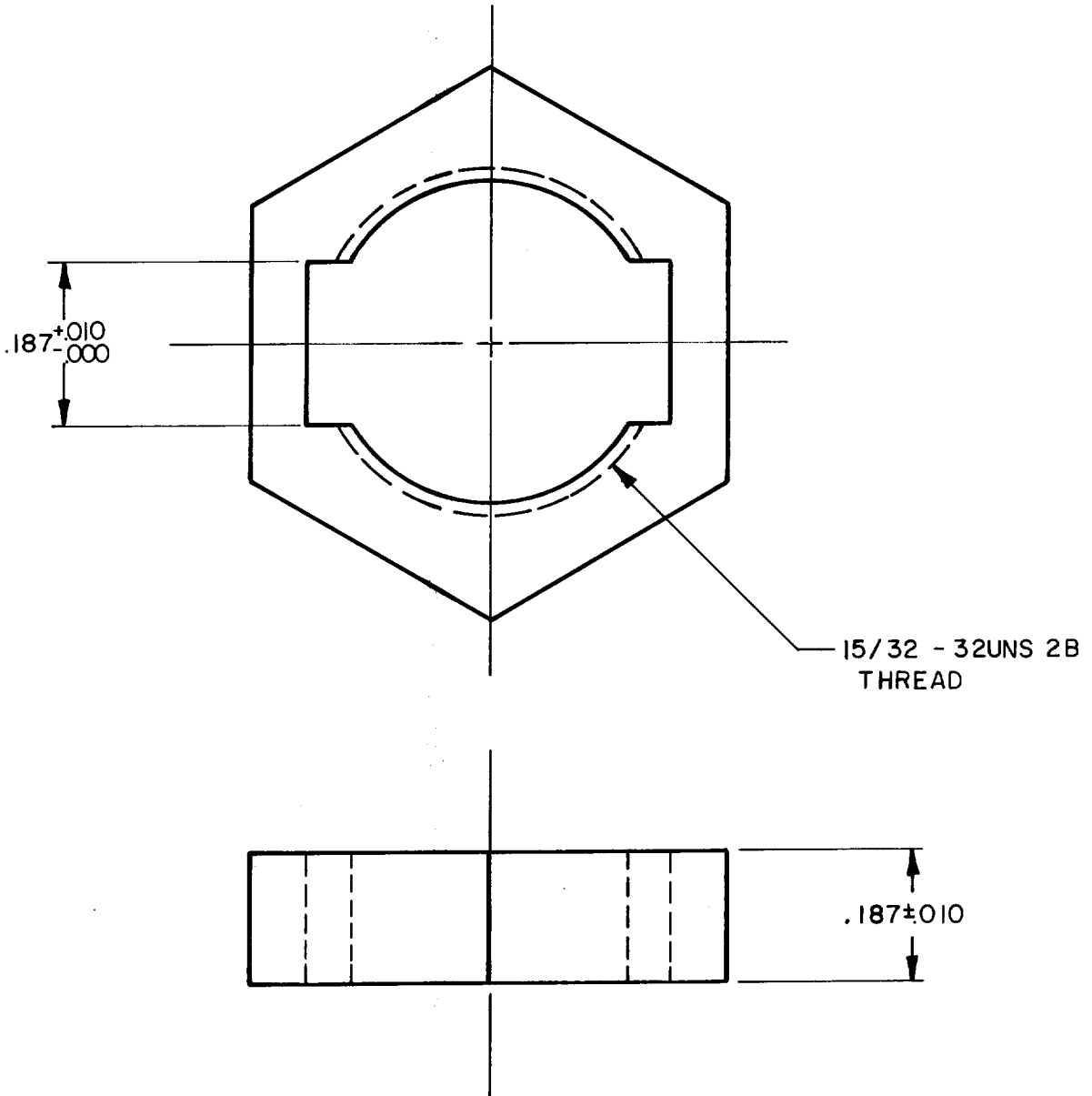
CHECK

CHECK

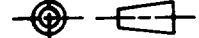
CHECK

CHECK

CHECK



THIRD ANGLE PROJECTION



SCALE 4 : 1

DO NOT SCALE PRINT

UNLESS OTHERWISE SPECIFIED  
TOLERANCES ARE

ONE PLACE (.0) ± .030

TWO PLACE (.00) ± .015

THREE PLACE (.000) ± .005

ANGLES ±

RAW MATERIAL - COMMERCIAL STANDARD

DIMENSIONS ARE IN INCHES AND ARE  
TO BE MET BEFORE PROTECTIVE  
COATINGS ARE APPLIED

MICRO SWITCH STANDARDS APPLY

0-82880-001

DRAWN

G J W 30 JUL 85