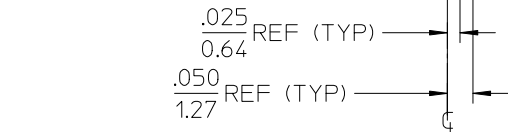
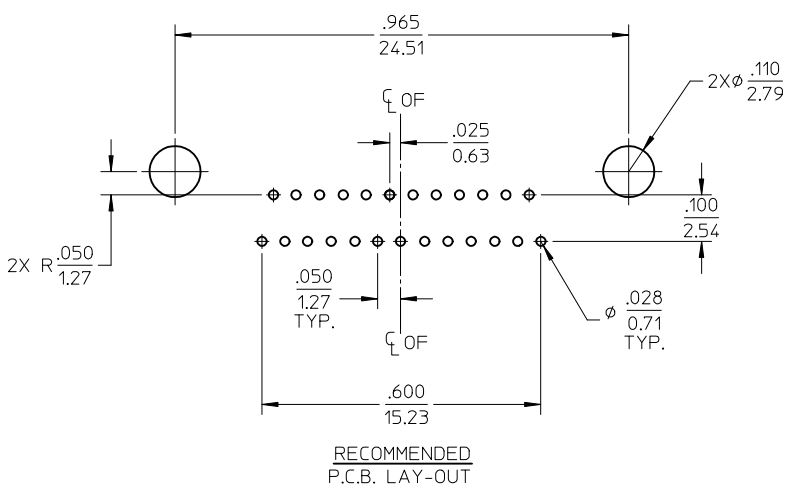
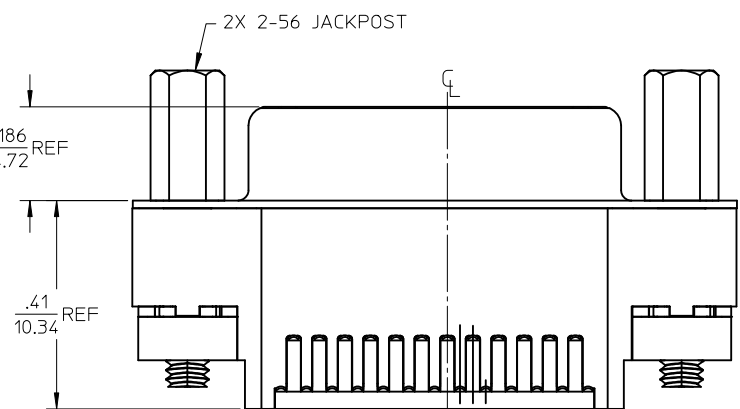
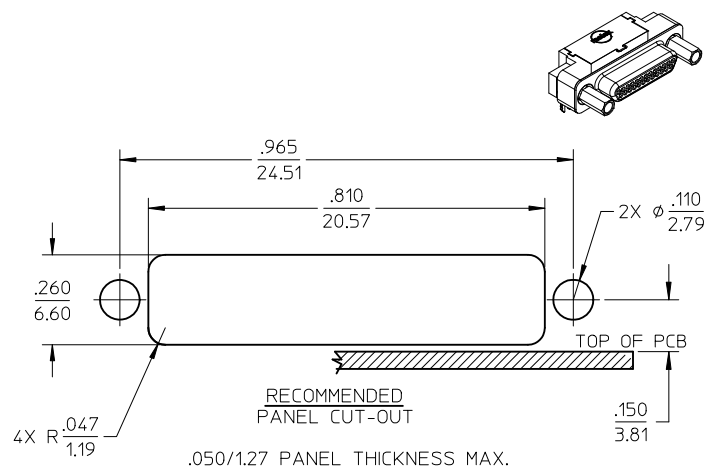
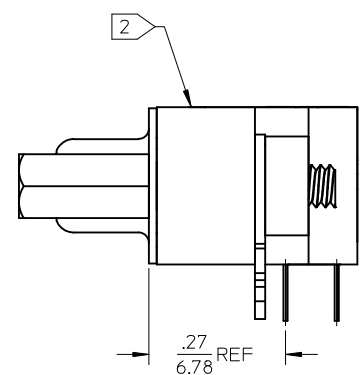
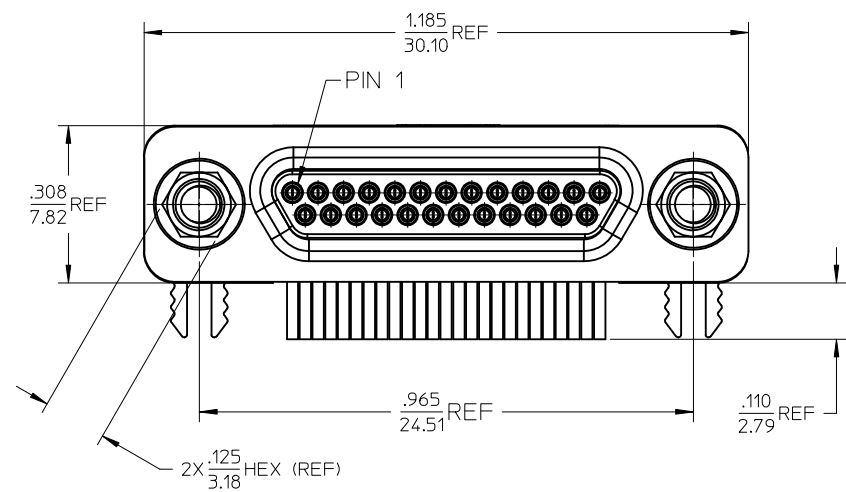


10 9 8 7 6 5 4 3 2 1



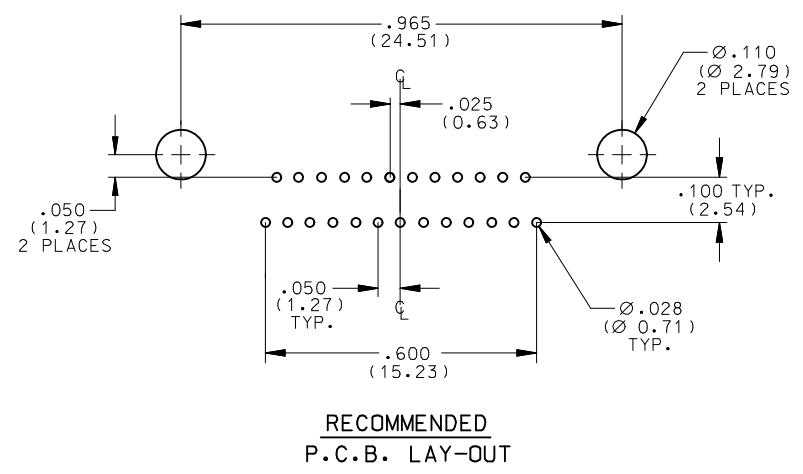
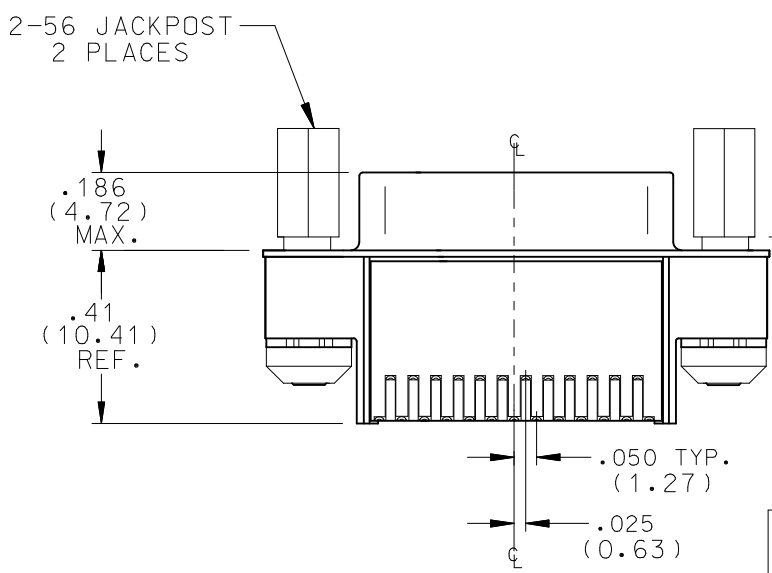
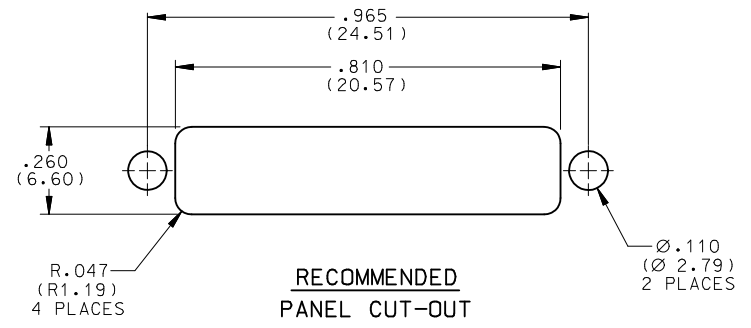
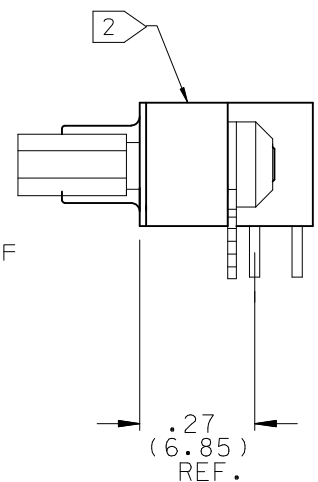
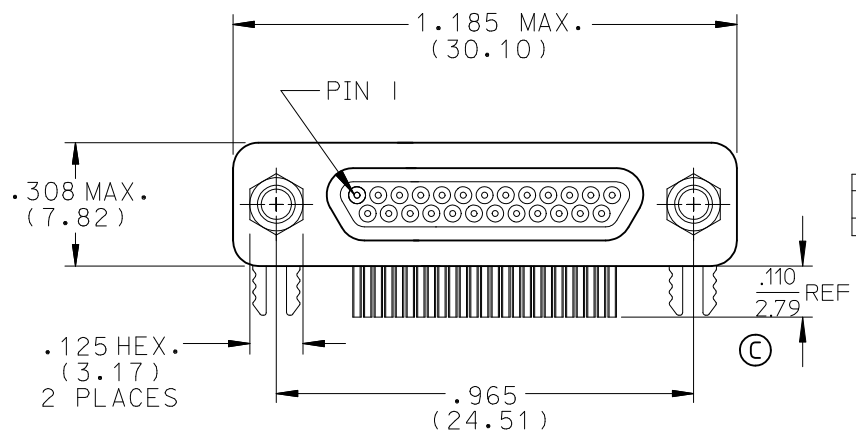
NOTES:  
 1. REFER TO PS-83421-9000 FOR PRODUCT SPEC.  
 2. DATE CODE AREA.  
 3. TORQUE JACKPOST TO 2.5 +1-0 IN/LBS  
 4. ROHS COMPLIANT.

<b>REDRAWN</b> EC NO: WNA2011-0541 DRWN: BRUPERT CHKD: APPR: JFMURPHY 2011/05/09 2011/08/13	QUALITY SYMBOLS ▽=0 ◻=0	GENERAL TOLERANCES (UNLESS SPECIFIED)		DIMENSION STYLE IN/MM		SCALE 4:1	DESIGN UNITS INCH	THIRD ANGLE PROJECTION			
		4 PLACES ± --- ± ---	mm INCH	DRAWN BY AW	DATE 22/01/01	TITLE COMM-D, PLG, RT ANG SIZE 25					
		3 PLACES ± --- ± ---		CHECKED BY AW	DATE 22/01/01	MOLEX INCORPORATED					
		2 PLACES ± --- ± ---		APPROVED BY JFMURPHY		DATE 2011/08/13	MATERIAL NO. 836149018		DOCUMENT NO. SD-83614-9018	SHEET NO. 1 OF 1	
		1 PLACE ± --- ± ---		ANGULAR ± ---°		DRAFT WHERE APPLICABLE MUST REMAIN WITHIN DIMENSIONS					
		SIZE A3		THIS DRAWING CONTAINS INFORMATION THAT IS PROPRIETARY TO MOLEX INCORPORATED AND SHOULD NOT BE USED WITHOUT WRITTEN PERMISSION							

9 8 7 6 5 4 3 2 1

83614

REV	DATE	ECN NO.	APPVD BY	REL BY
A	22JAN01	UM2001-0222		
B	01MAY01	UM2001-0284		



NOTES:  
 1. REFER RO PS-83421-9000 FOR PRODUCT SPEC  
 2. DATE CODE AREA.  
 3. ROHS COMPLIANT

REV	DESCRIPTION	QUALITY SYMBOLS	GENERAL TOLERANCES (UNLESS SPECIFIED)		DIMENSION STYLE		SCALE	DESIGN UNITS	THIRD ANGLE PROJECTION		
			mm	INCH	IN/MM	INCH					
REV PIN LEN	EC NO: WNA2010-0482	▽=0	4 PLACES ±---	±---	DRAWN BY	DATE	CKT CONN,COMM-D SIZE 25	Molex	MATERIAL NO.		
C	DRW:NRUPERT 2010/02/09	▽=0	3 PLACES ±---	±---	AW	22/01/01				SD-83614-9018	DOCUMENT NO.
	CHK:RUPERT 2010/04/21		2 PLACES ±---	±---	CHECKED BY	DATE					
	APPR:JFURPHY 2010/04/21		1 PLACE ±---	±---	AW	22/01/01	1 OF 1				
			ANGULAR ±---°		APPROVED BY		MATERIAL NO.		THIS DRAWING CONTAINS INFORMATION THAT IS PROPRIETARY TO MOLEX INCORPORATED AND SHOULD NOT BE USED WITHOUT WRITTEN PERMISSION		
			DRAFT WHERE APPLICABLE MUST REMAIN WITHIN DIMENSIONS		DATE		836149018				
					DATE		SD-83614-9018				
					DATE		SD-83614-9018				