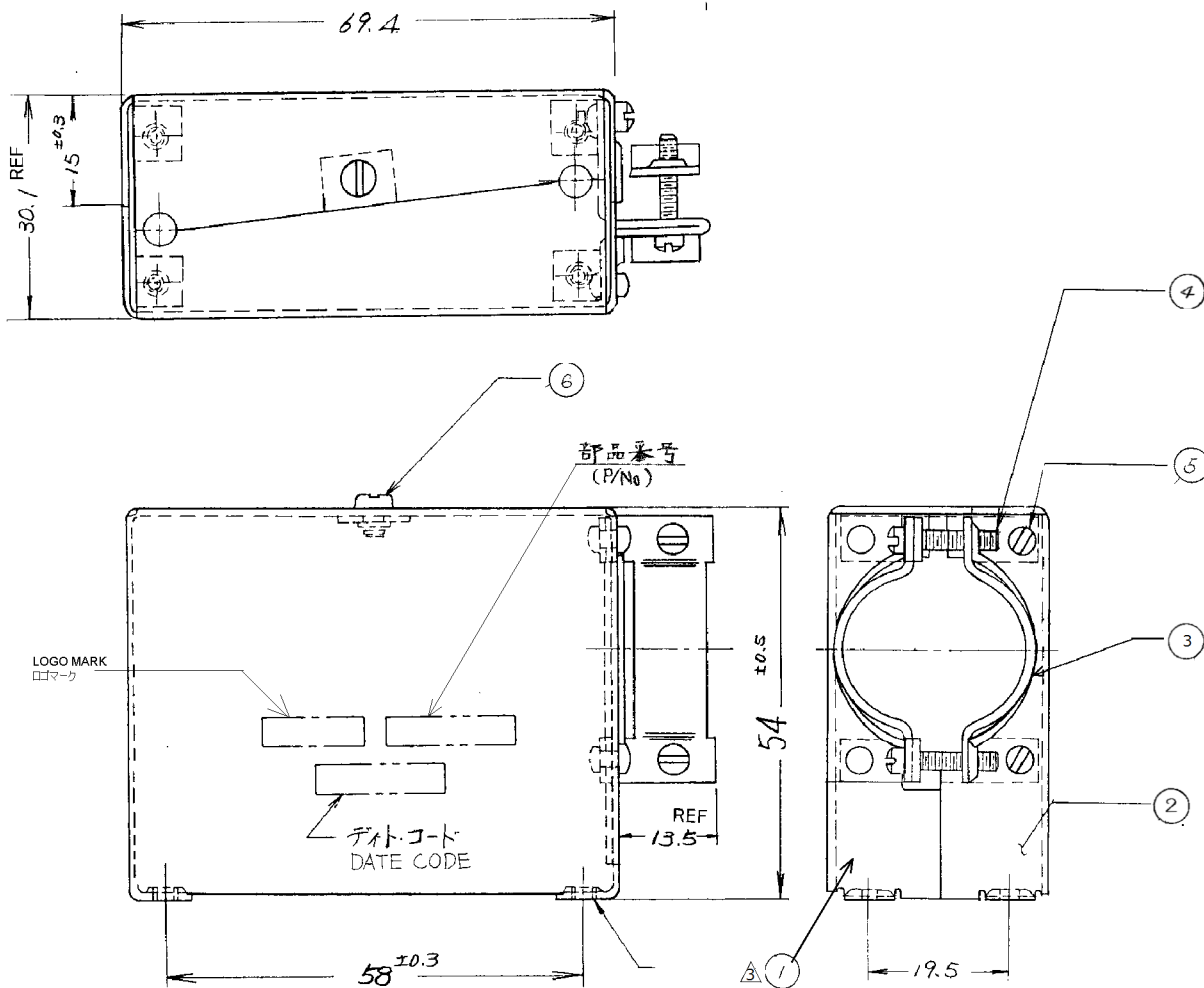


THIS DRAWING IS UNPUBLISHED  
 RELEASED FOR PUBLICATION  
 (C) COPYRIGHT 2012 BY Tyco Electronics Japan G.K.

LOC		DIST		REVISIONS				
P	LTR	DESCRIPTION	ECN	DATE	DWN	APVD		
	D	REDRAWN	FJ00-0518-97	9Apr'97	C.O	I.H		
	E	REVISED		09SEP 2013	T.N	N.Y		

類似 No. 202711-1  
 SIMILAR SHIELD No. 202711-1

△ ウィスカ対策・RoSH対応品  
 WHISKER COUNTERMEASURE & RoSH COMPLIANCE



NOTE

- 電線束線径：最大φ 26, 最小φ 17  
 WIRE BUNDLE THICKNESS: MAX φ 26, MIN φ 17
- 1, 7-1: 絶縁スリーブなし  
 -1, 7-1: WITHOUT INSULATED SLEEVE  
 -2: 絶縁スリーブ (P/N21330-4) 2ヶ添付  
 -2: INSULATED SLEEVE (P/N21330-4) WITH 2 PEACE
- リベット(スチール ニッケルめっき)で、固定側ケーブルクランプを組込んだもの。  
 ASSEMBLED CABLE CLAMP FIXED SIDE BY RIVET (SCALE, NICKEL PLATING)

QTY	QTY	QTY	MATERIAL AND FINISH	NAME	ITEM NO.
2	2	2	STAINLESS STEEL, ORGANIC COATING △	SCREW # 4-40 UNC-2A LENGTH 3.2 REF	⑥
2	2	2	STAINLESS STEEL, ORGANIC COATING △	SCREW # 4-40 UNC-2A LENGTH 6.4 REF	⑤
2	2	2	STAINLESS STEEL, ORGANIC COATING △	SCREW # 4-40 UNC-2A LENGTH 19.1 REF	④
1	1	1	ZINC-COATED STEEL, PAINTED TO METALIC SILVER △	CABLE-CLAMP	③
1	1	1	ZINC-COATED STEEL, PAINTED TO METALIC SILVER △	CABLE-CLAMP	③
1	1	1	ZINC-COATED STEEL, PAINTED TO METALIC SILVER △	SHIELD (R.H)	②
1	1	1	ZINC-COATED STEEL, PAINTED TO METALIC SILVER △	SHIELD (R.H)	②
1	1	1	ZINC-COATED STEEL, PAINTED TO METALIC SILVER △	SHIELD (L.H)	①
1	1	1	ZINC-COATED STEEL, PAINTED TO METALIC SILVER △	SHIELD (L.H)	①

THIS DRAWING IS A CONTROLLED DOCUMENT FOR AND INCORPORATED IT IS SUBJECT TO CHANGE AND THE CONTROLLING ENGINEERING ORGANIZATION SHOULD BE CONTACTED FOR THE LATEST REVISION.		C. OHASHI 3/APR/97 CHK: [Signature] 9/APR/97 APVD: [Signature] 9/APR/97 PRODUCT SPEC 製品仕様書 APPL. SPEC 取付適用規格		NAME 名称 <b>75極90°シールド</b> <b>75POS 90° SHIELD</b>	
DIMENSIONS 単位: 概 mm		TOLERANCES UNLESS OTHERWISE SPECIFIED 一般公差 ±0.4 ±1°		SIZE A3	
MATERIAL 材料 上図参照 SEE DWG		FINISH 仕上 上図参照 SEE DWG		CAGE CODE 00779	
WEIGHT 重量 CUSTOMER DRAWING		DRAWING NO. 番号 <b>C-171076</b>		RESTRICTED TO 限制	
		SCALE 尺度 NON		SHEET 1 OF 1 REV E	

参考図面