



PART NAME

# NEMA DIE CAST ALUMINUM ENCLOSURE

PART No.

## AN-1305-A & AN-1305-AB

REVISION DATE

9-30-15

UL LISTED FOR U.S. AND CANADA - FILE #E194432

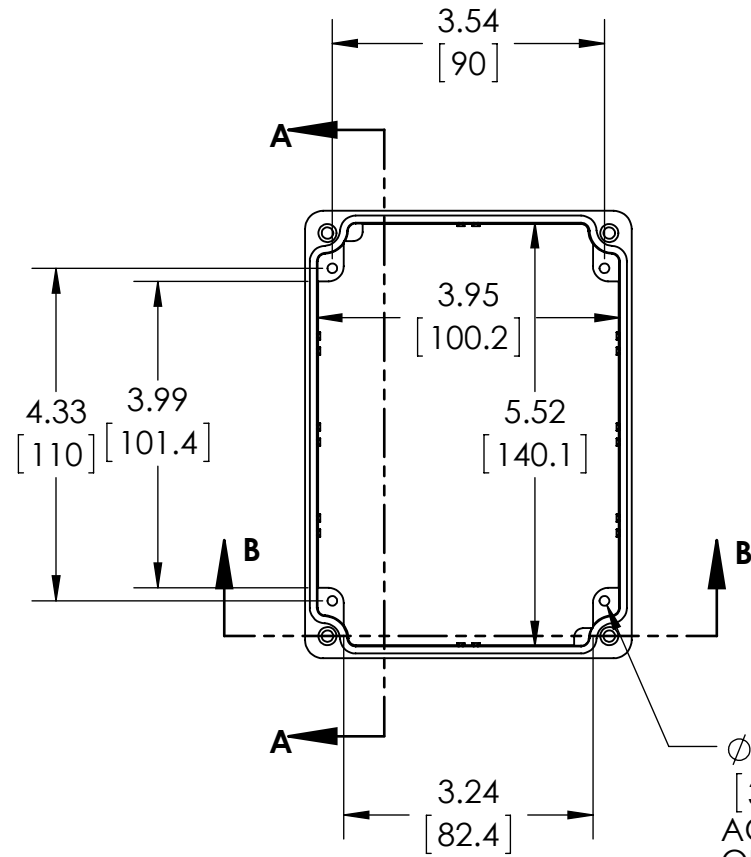
UPDATE REPLACES PART NO. AN-1305 (NATURAL) & AN-1305-G (DISCONTINUED GRAY)

**DRAWING FOR REFERENCE**

WE RESERVE THE RIGHT TO MAKE CHANGES TO OUR STANDARD PRODUCTS. PLEASE CONSULT WITH BUD INDUSTRIES PRIOR TO USING THIS DRAWING FOR DESIGN PURPOSE.

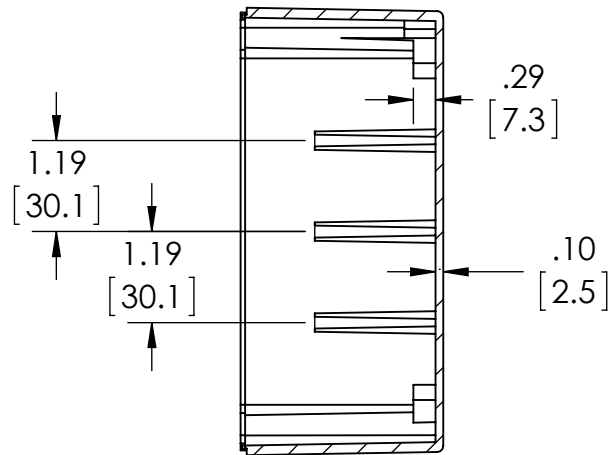
TYPE RATING 4, 4X, 6, 6P, 12 AND 13, COMPARE TO IP-68

80°C. MAXIMUM OPERATING TEMPERATURE

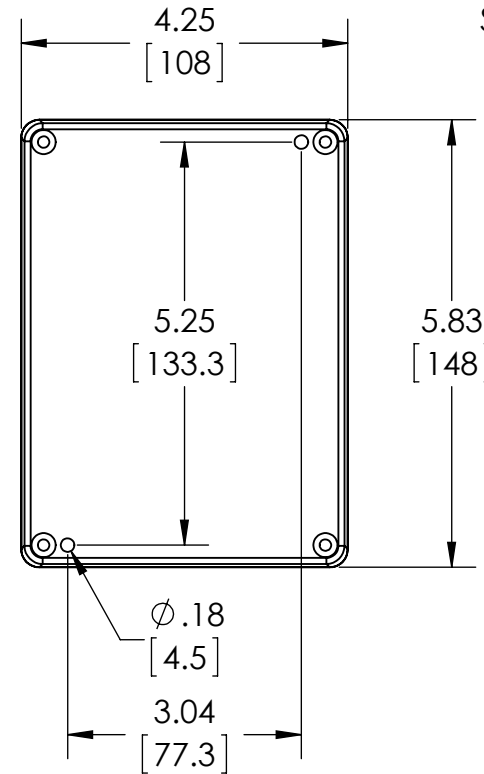


Ø.126 x .394 DEEP (4X)  
 [3.2] [10]  
 ACCEPTS M3.5 x 6mm LG.  
 OR #6 x 1/4" LG.  
 SELF-TAPPING SCREW  
 (NOT SUPPLIED - FOR PCB  
 MOUNTING)

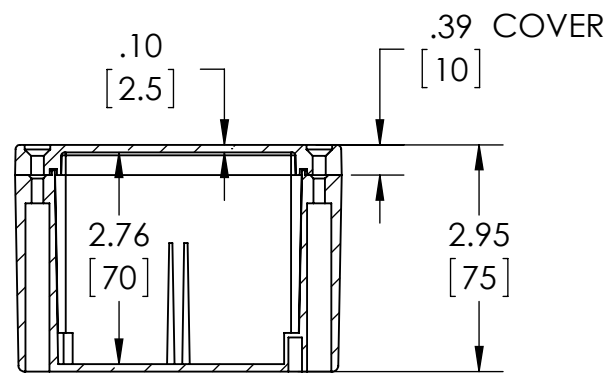
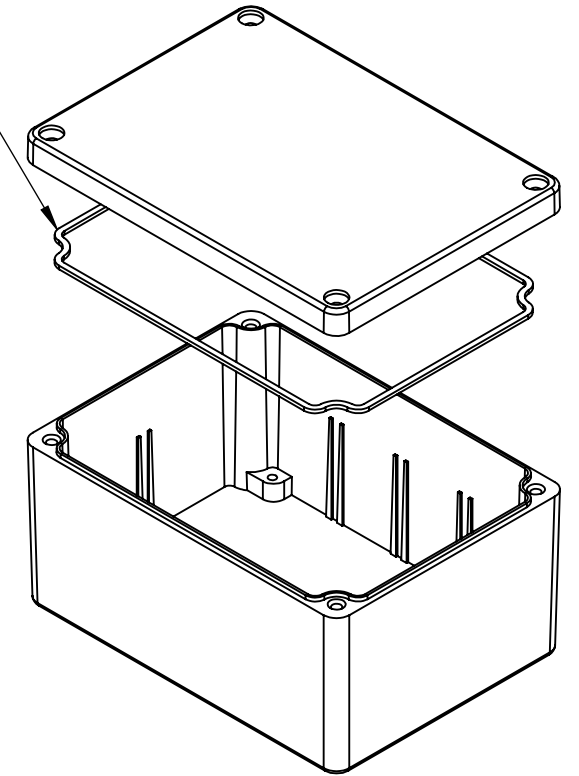
### BODY COVER NOT SHOWN



### SECTION A-A



GASKET  
 (NOT INSTALLED)  
 MOLDED  
 SILICONE GRAY



### SECTION B-B

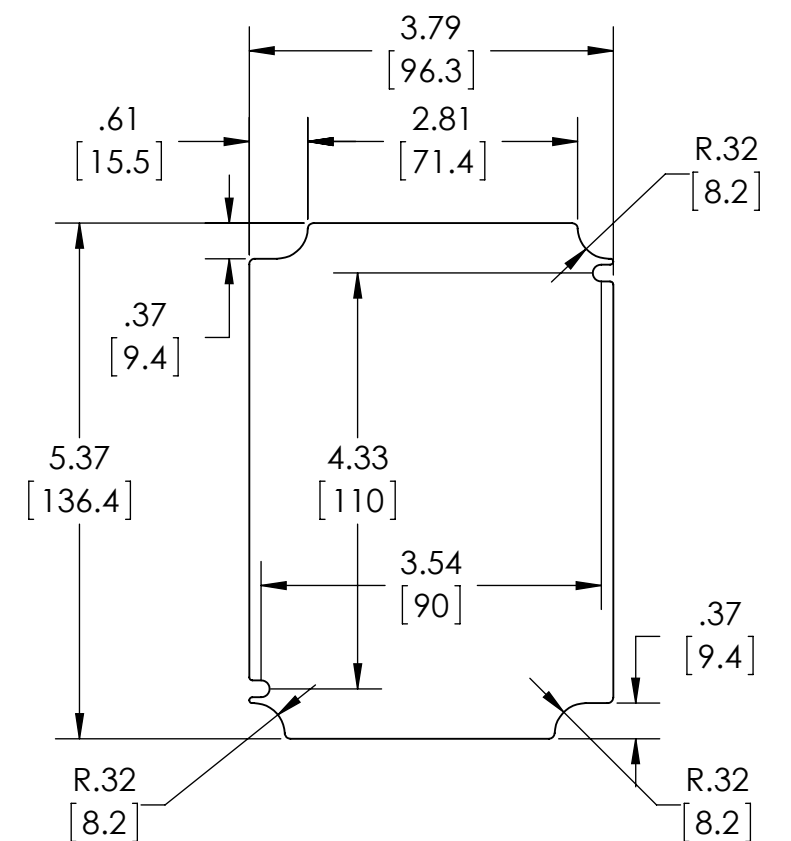
MATERIAL: BODY & COVER - ALUMINUM ALLOY #ADC-12

FINISH: NATURAL (SUFFIX -A)  
SMOOTH BLACK POWDERCOAT (SUFFIX -AB)

FOUR (4) M4x0.7 x 20mm (.79") LG. 90° CSK. HEAD STAINLESS STEEL SCREWS SUPPLIED FOR ASSEMBLY OF COVER TO BODY. APPLY AT 12 IN./LB. OF TORQUE.

OUTSIDE AND INSIDE DRAFT ANGLE: 1°  
DIMENSIONS ARE INCH[MM]

OPTIONAL ACCESSORIES:  
 PCB MOUNTING KIT #57-58  
 INTERNAL PANEL #ANX-91305  
 WALL MOUNT BRACKETS #ANX-1390  
 REPLACEMENT GASKET #1305GSKTSC



### OPTIONAL INTERNAL PANEL AND SUGGESTED PC BOARD LAYOUT