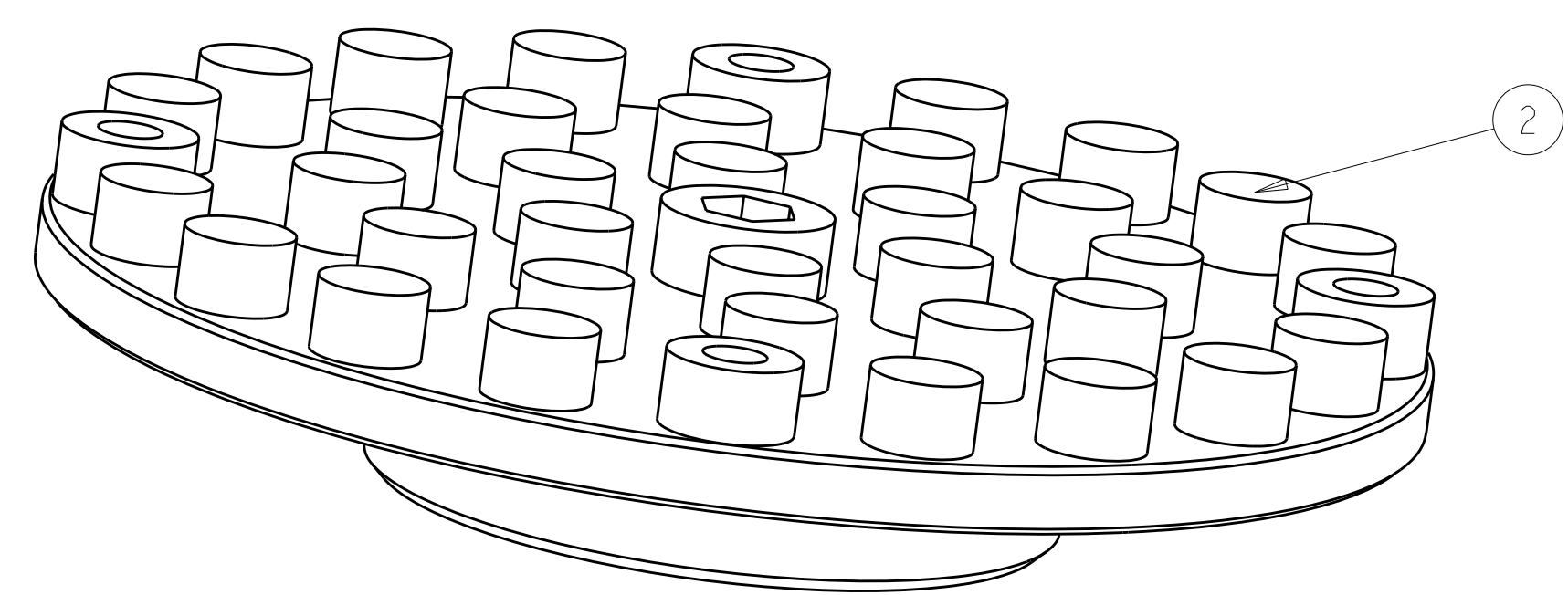
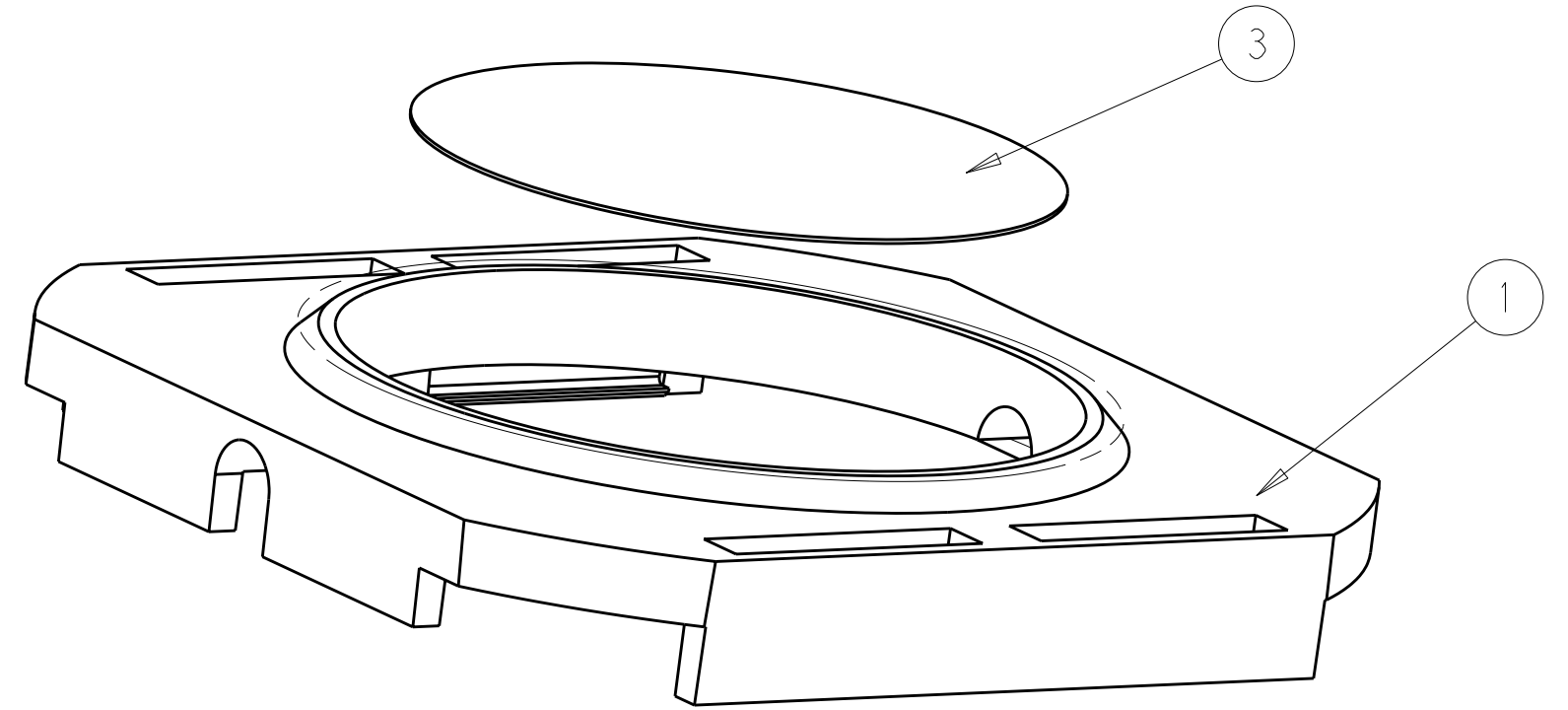


LOC	DIST	REVISIONS					
AD	00	P	LTB	DESCRIPTION	DATE	DWN	APVD
		1		PROPOSED	27AUG2009	DH	JE
		A		RELEASED	31AUG2009	DH	JE

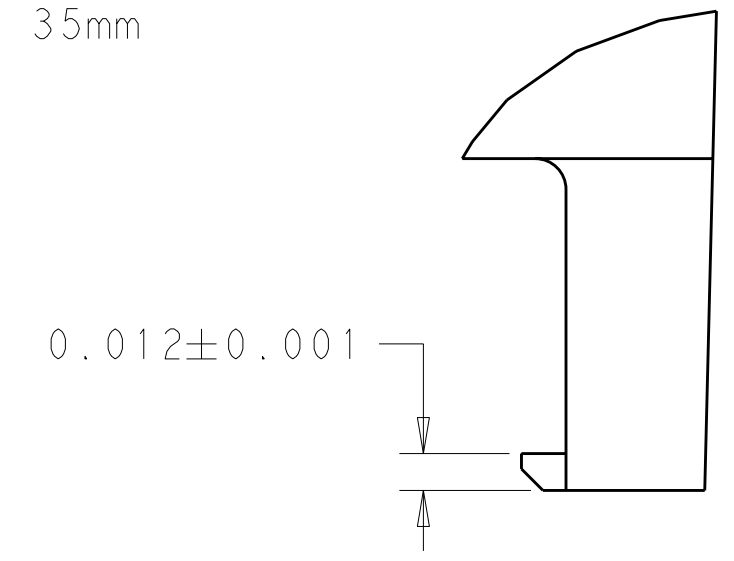


PIN FIN HEATSINK: 2.000 DIA.  
0.433 HT.



4-LEG CLIP SIZE: 35mm

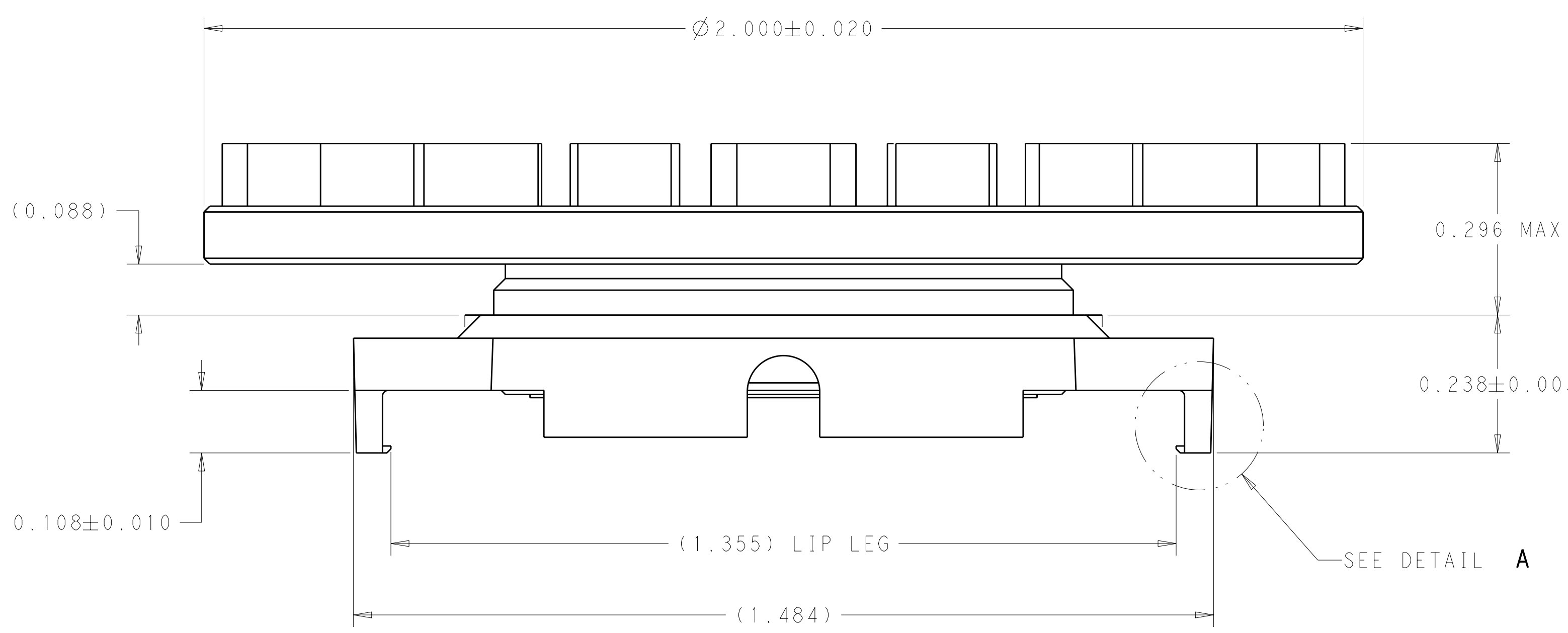
SCALE 4:1



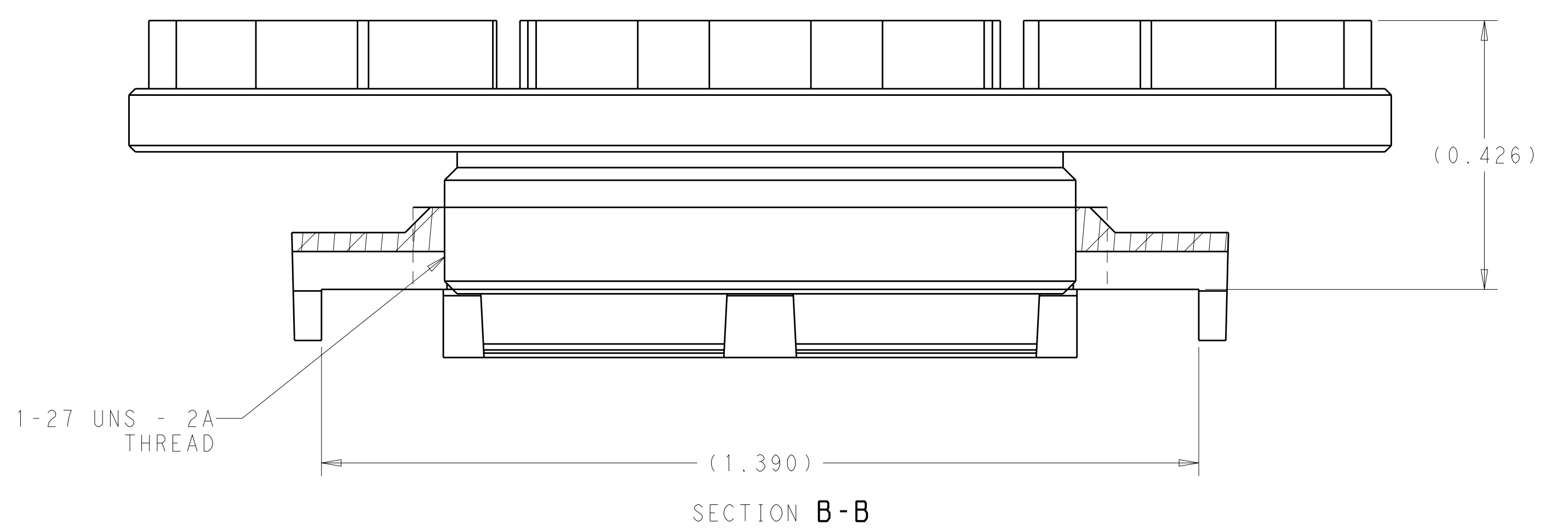
DETAIL A  
SCALE 16:1

NOTES:

- MATERIAL:  
HEAT SINK: ALUM. (BLACK ANODIZE)  
CLIP: BLACK PEI(UL94-V0)
- BEFORE THE HEATSINK APPLICATION, THE USER SHOULD IDENTIFY THE SPECIFICATION OF MAXIMUM LOAD ON THE BGA PACKAGE  
  
HEATSINK TORQUE SPECIFICATIONS CONVERTED TO FORCE.  
  
BARE DIE PACKAGE:  
2.0 INCH - LB TORQUE = 8.1 LBS FORCE  
2.5 INCH - LB TORQUE = 10.1 LBS FORCE  
  
FULL SIZE LID PACKAGE:  
2.0 INCH - LB TORQUE = 6.9 LBS FORCE  
2.5 INCH - LB TORQUE = 8.7 LBS FORCE
- REMOVE CLIP WITH REMOVAL TOOL P/N: 1542616-1
- RoHS COMPLIANT AND CERTIFIED.



SEE DETAIL A



SECTION B-B

QTY.	DESCRIPTION	ITEM
1	INTERFACE	3
1	HEAT SINK	2
1	MOUNTING CLIP	1

DIMENSIONS: INCHES TOLERANCES UNLESS OTHERWISE SPECIFIED: 9 PLC ±.1 1 PLC ±0.1 3 PLC ±0.02 5 PLC ±0.005 4 PLC ±0.0005 ANGLES ±.1		DWN: D. HUMBERT 27AUG2009 CHK: J. EARY 27AUG2009 APVD: J. EARY 27AUG2009	Tyco Electronics Harrisburg, PA 17105-3608
MATERIAL: SEE NOTE FINISH: SEE NOTE		PRODUCT SPEC: - APPLICATION SPEC: - WEIGHT: - CUSTOMER DRAWING	NAME: 35mm PIN FIN HEATSINK ASSEMBLY SIZE: A100779 CAGE CODE: C=2110926 DRAWING NO: 2110926 SCALE: 6:1 SHEET: 1 OF 1 REV: A