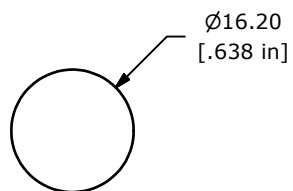
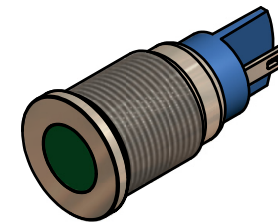
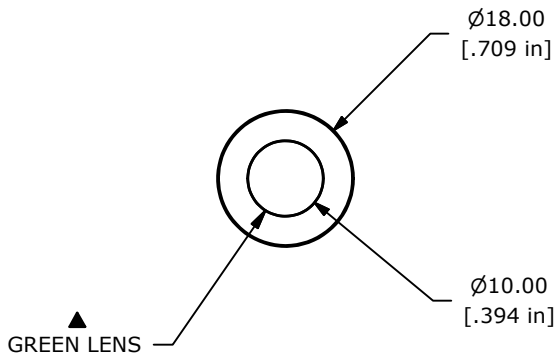


LED SCHEMATIC

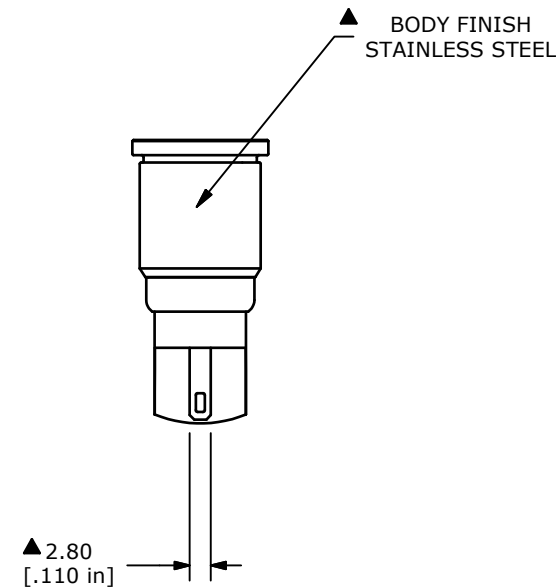
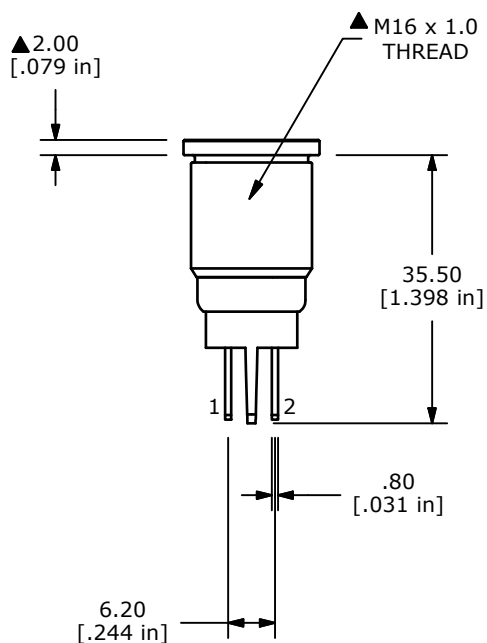


RECOMMENDED
PANEL MOUNTING
1-6mm THICKNESS



NOTE:

1. ALL DIMENSIONS IN MM [INCH]
2. GENERAL TOLERANCE: X.X = ±0.4
X.XX = ±0.25
3. TERMINAL NUMBERS FOR REF ONLY
4. OPERATING TEMP: -25°C to 55°C
5. CURRENT RATING: 2mA-20mA
- ▲ 6. LAMP VOLTAGE: 2.8V
7. IP RATING: IP67
8. ▲ DENOTES CRITICAL PARAMETER.
9. HARDWARE SUPPLIED: O-RING AND HEXNUT
10. 2002/95/EC (ROHS) COMPLIANT.



TITLE PVL16FLS31

| | | | | |
|-----|--------|-------------|---------|----|
| A | 22135 | New Release | 1/27/16 | rc |
| REV | PCR NO | DESCRIPTION | DATE | BY |

THE INFORMATION CONTAINED IN THIS DOCUMENT IS PROPRIETARY TO E-SWITCH AND IS NOT TO BE COPIED OR TRANSFERRED

| | | | | |
|--------------|-------------------|----------|----------------------|----------|
| SCALE 1:1 | DATE 1/27/2016 | DR rc | DWG 52-PVL16FLS31 | REV A |
|--------------|-------------------|----------|----------------------|----------|