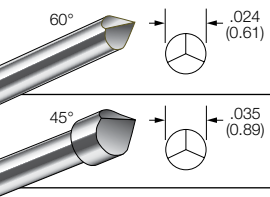


# S-50C Rotator .050 Centers

## BeCu PLUNGER TIPS



## PROBE SPECIFICATIONS

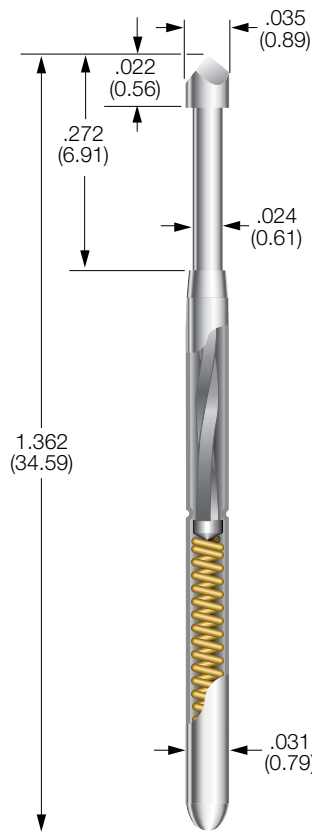
Minimum Centers: .050 (1.27)  
 Current Rating: 3 amps continuous  
 Spring Force: 3.7oz. @ .170 (4.32) travel  
 Typical Resistance: < 25 mΩ  
 Maximum Travel: .250 (6.35)  
 Working Travel: .170 (4.32)  
 Rotates: 85° @ .170 (4.32) travel

Rated Force oz. (g)	Preload oz. (g)
3.7 (105)	1.5 (42)

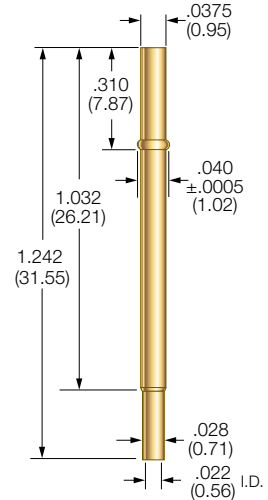
## MATERIALS

Barrel: Nickel/silver, gold lined  
 Spring: Music wire, gold plated  
 Plunger: Beryllium copper, Duralloy™ plated  
 Receptacle: Beryllium copper, preplated gold, gold plated post  
 Plug-In Terminal: Beryllium copper, preplated gold

## S-50C ROTATOR



## R-50C Receptacle



Drill Size: #61  
 Mounting Hole Size: .0385/.0390 (0.98/0.99)  
 Recommended Wire: 28-30 gage

## RECEPTACLE OPTIONS

Part Number	Style	Receptacle Length	Probe/Receptacle Combined Length	Comments
R-50C-CR	Crimp	1.242 (31.55)	1.572 (39.93)	—
R-50C-SC	Solder Cup	1.242 (31.55)	1.572 (39.93)	—
R-50C-WW-016	Wire Wrap	1.492 (37.88)	1.822 (46.28)	.250 post length - .016 sq.
R-50C-WW-025	Wire Wrap	1.542 (39.17)	1.872 (47.55)	.300 post length - .025 sq.
R-50C-DS	DuraSeal®	1.242 (31.55)	1.572 (39.93)	30 gage wire, vacuum sealed *
R-50C-WT	Plug-In Receptacle	1.242 (31.55)	1.572 (39.93)	For use with FP-Plug plug-in terminal
FP-Plug	Plug-In Terminal	—	—	Plugs into R-50C-WT receptacle *

\* Unless otherwise specified, wire length 36", strip length 1", 30 gage Kynar

## HOW TO ORDER: SPRING CONTACT PROBE

<b>S</b>	<b>50C</b>	<b>TL</b>	<b>3.7</b>	<b>RT</b>
SERIES	SIZE	TIP STYLE	SPRING FORCE	ROTATOR

CRIMPING PLIERS: CPR50C  
 INSERTION TOOL: RTR50C

## RECEPTACLE

<b>R</b>	<b>50C</b>	<b>CR</b>
SERIES	SIZE	TERMINATION

### TERMINATIONS:

CR: CRIMP  
 SC: SOLDER CUP  
 WW-016: WIRE WRAP .016 SQ  
 WW-025: WIRE WRAP .025 SQ

### DS: DURASEAL\*

WT: PLUG-IN RECEPTACLE \*\*

\* UNLESS OTHERWISE SPECIFIED, WIRE LENGTH 36", STRIP LENGTH 1", 30 GAGE KYNAR. 12" & 36" STANDARD.

\*\*FOR USE WITH FP-PLUG PLUG-IN TERMINAL. 12" & 36" STANDARD.

VIEW UPDATES OF THIS INFORMATION AT [WWW.IDINET.COM](http://WWW.IDINET.COM)

Specifications subject to change without notice. Dimensions in inches (millimeters)