


MODEL: CBLT-UC-UC-1WT | **DESCRIPTION:** USB CABLE

FEATURES

- USB 3.1 Gen 1
- type C male to type C male
- 1 meter
- TPE jacket
- halogen free


SPECIFICATIONS

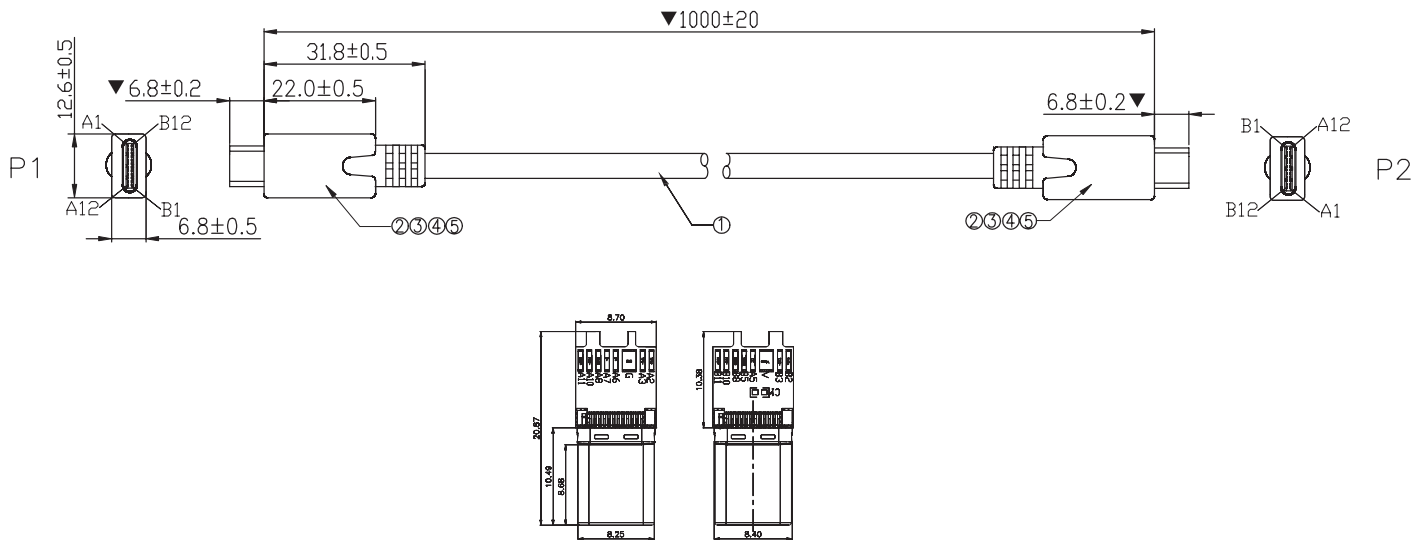
parameter	conditions/description	min	typ	max	units
rated voltage			20		Vdc
rated current				3	A
conductor resistance				5	Ω
insulation resistance	at 300 Vdc / 10 ms	10			M Ω
operating temperature		-20		80	$^{\circ}\text{C}$
storage temperature		-25		80	$^{\circ}\text{C}$
flammability rating	UL94V-0				
RoHS	yes				

MECHANICAL DRAWING

units: mm
 tolerance:
 X.X ±0.2 mm
 X.XX ±0.15 mm
 unless otherwise noted

critical dimension: ▼

ITEM	DESCRIPTION	MATERIAL	PLATING/COLOR
1	cable	USB 3.1 Gen 1 OD: 4.2 mm, TPE	white
2	wire holder	OD: 0.8 mm	
3	connector 1/2	USB 3.1 Gen 1 Type C	gold
4	inner mold	LD-PE	white
5	over mold	TPE	white



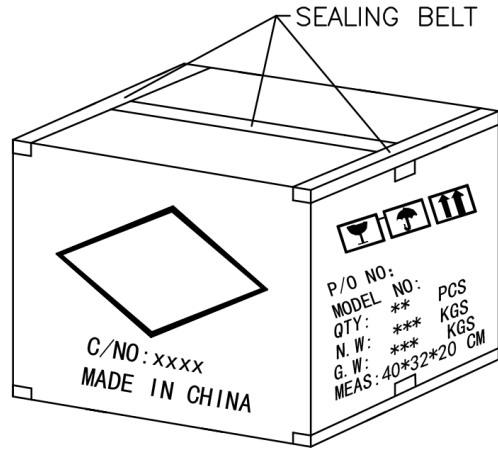
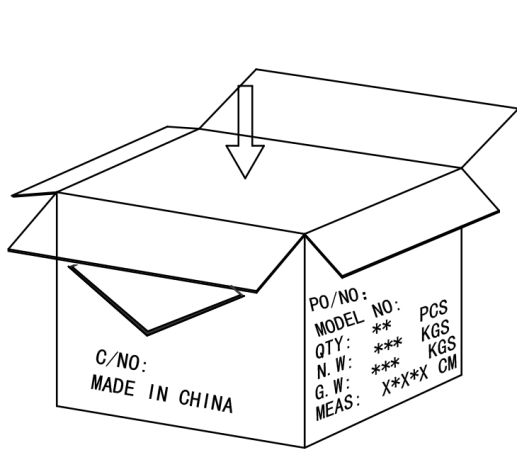
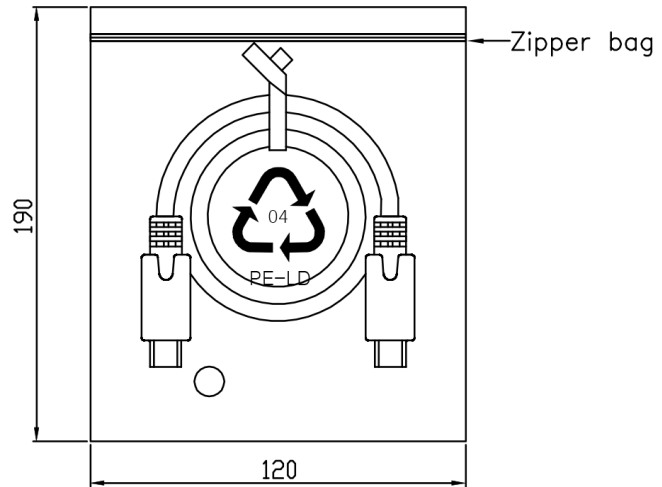
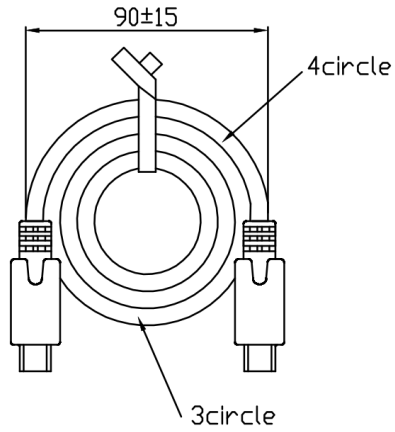
WIRING DIAGRAM

P1		Signal Name	P2		Signal Name
C1 (Inf) 0402	A1,B1,A12,B12	GND	A1,B1,A12,B12	GND	
	A4,B4,A9,B9	VBUS	A4,B4,A9,B9	VBUS	
	A5	CC	A5	CC	
	A6	Dp1	A6	Dp1	
	A7	Dn1	A7	Dn1	
	A2	SSTXp1	B11	SSRXp1	
	A3	SSTXn1	B10	SSRXn1	
	B11	SSRXp1	A2	SSTXp1	
	B10	SSRXn1	A3	SSTXn1	
SHELL		BRAID	SHELL		

PACKAGING

units: mm

Carton Size: 460 x 300 x 300 mm
 Carton QTY: 200 pcs



REVISION HISTORY

rev.	description	date
1.0	initial release	12/20/2018

The revision history provided is for informational purposes only and is believed to be accurate.



CUI INC[®]

Headquarters
20050 SW 112th Ave.
Tualatin, OR 97062
800.275.4899

Fax 503.612.2383
cui.com
techsupport@cui.com

CUI offers a one (1) year limited warranty. Complete warranty information is listed on our website.

CUI reserves the right to make changes to the product at any time without notice. Information provided by CUI is believed to be accurate and reliable. However, no responsibility is assumed by CUI for its use, nor for any infringements of patents or other rights of third parties which may result from its use.

CUI products are not authorized or warranted for use as critical components in equipment that requires an extremely high level of reliability. A critical component is any component of a life support device or system whose failure to perform can be reasonably expected to cause the failure of the life support device or system, or to affect its safety or effectiveness.