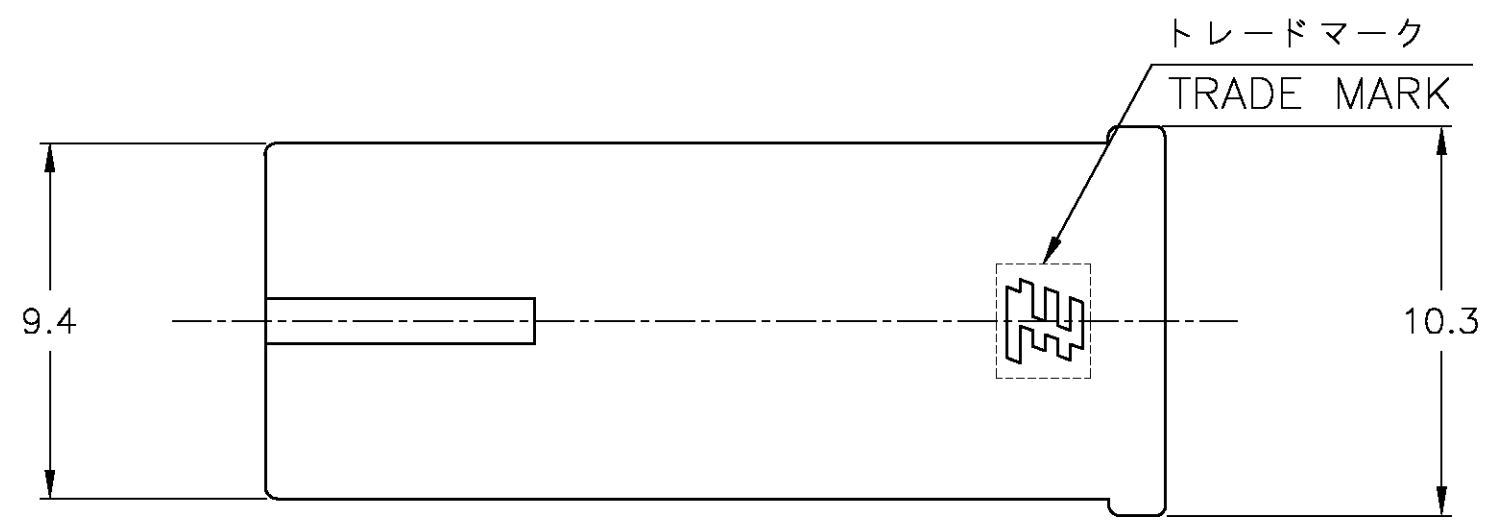
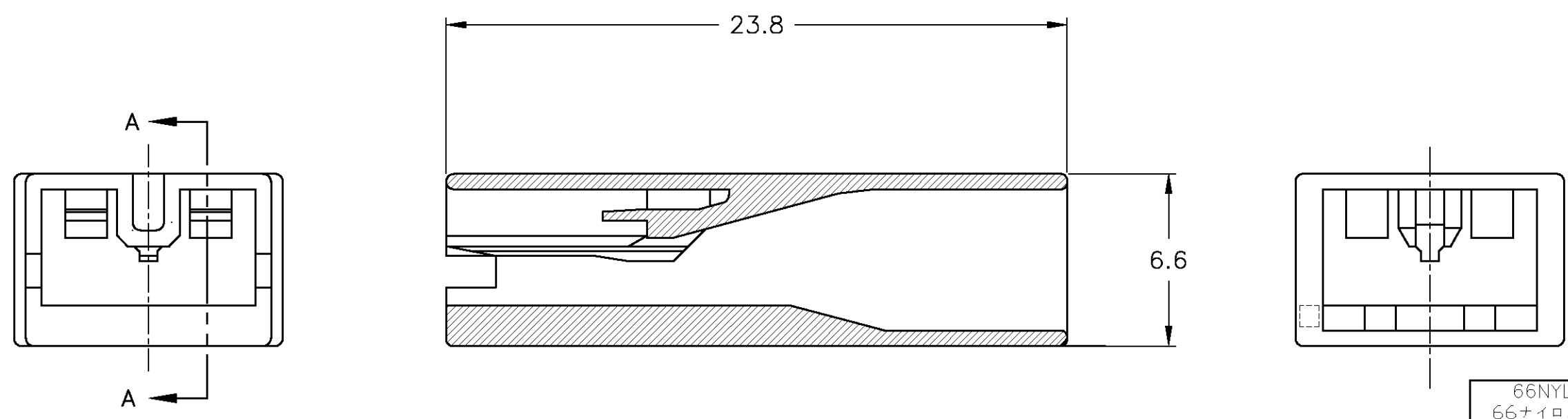


THIS DRAWING IS UNPUBLISHED. RELEASED FOR PUBLICATION JAN , 2002.
 © COPYRIGHT 2002 BY TYCO ELECTRONICS CORPORATION. ALL INTERNATIONAL RIGHTS RESERVED.

LOC	DIST	REVISIONS 変更			
P	LTR	DESCRIPTION	DATE	DWN	APVD
	E	REVISED ECR-10-010452	28MAY2010	T.T	T.M
	F	REVISED, ECR-10-007304	03AUG2010	Y.O	N.Y



- 1 適用製品規格: 108-5437
- 2 適用コンタクト型番:
179973-X, 179974-X, 179975-X
- 3 取扱説明書: 411-5691
- ⚠ 推奨電線径: AWG#18以上, 被覆外径2.8mm以上
より細い電線をご使用の場合は、電線が変形しないように
コンタクト装着の作業方法をご確認ください



A-A

- 1 PRODUCT SPEC: 108-5437
- 2 APPLICABLE CONTACT:
179973-X, 179974-X, 179975-X
- 3 INSTRUCTION SHEET: 411-5691

⚠ RECOMMENDED WIRE
 AWG: #18 OR THICKER
 INSULATION DIAMETER: 2.8mm OR THICKER
 IN THE CASE THAT ABOVE WIRE IS NOT USED,
 PLEASE CONSIDER HOW TO INSERT CONTACT INTO HOUSING
 WITHOUT WIRE DEFORMATION

MATERIAL 材料	COLOR 色調	PART NUMBER 型番
66NYLON UL5VA 66ナイロン UL5VA相当	BLUE 青色	⚠1-1318954-6
66NYLON UL5VA 66ナイロン UL5VA相当	NATURAL 自然色	⚠1-1318954-1
66NYLON UL94V-0 66ナイロン UL94V-0	BLUE 青色	1318954-6
66NYLON UL94V-0 66ナイロン UL94V-0	NATURAL 自然色	1318954-1

THIS DRAWING IS A CONTROLLED DOCUMENT.		DWN T.HATANO 15JAN2002	Tyco Electronics Corporation Kawasaki, Japan	
DIMENSIONS: 単位: 耗 mm		CHK A.OISHI 15JAN2002	NAME 名称 250 SERIES POSITIVE LOCK EX-II 1 POS REC HOUSING SHROUD TYPE	
TOLERANCES UNLESS OTHERWISE SPECIFIED: 一般公差		APVD M.SHINDO 15JAN2002	PRODUCT SPEC 製品規格 SEE NOTE	
0 PLC ± ≤10:±0.2		APPLICATION SPEC 取付適用規格	SIZE A3	CAGE CODE 00779
1 PLC ± 10< ≤30:±0.25		WEIGHT	DRAWING NO 番号 C-1318954	RESTRICTED TO
2 PLC ± 30< ≤100:±0.3		CUSTOMER DRAWING		
3 PLC ±		SCALE 尺度 5:1		
4 PLC ±		SHEET 1 OF 1		
ANGLES ±3'		REV F		
FINISH 仕上				
MATERIAL 材料 SEE TABLE				