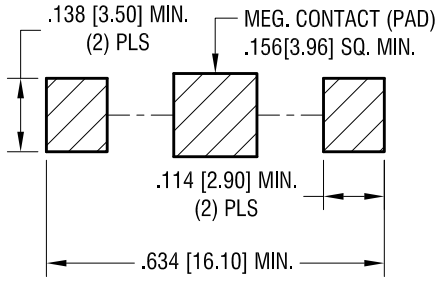
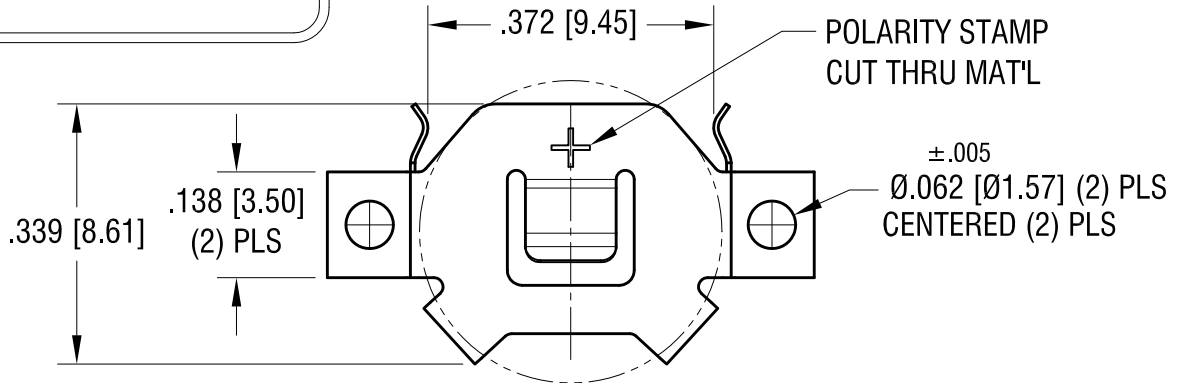


THIS DOCUMENT IS THE PROPERTY OF KEYSTONE ELECTRONICS CORP. AND SHALL NOT BE REPRODUCED, DISTRIBUTED OR USED AS A BASIS FOR MANUFACTURE WITHOUT PRIOR WRITTEN PERMISSION FROM KEYSTONE ELECTRONICS CORP.

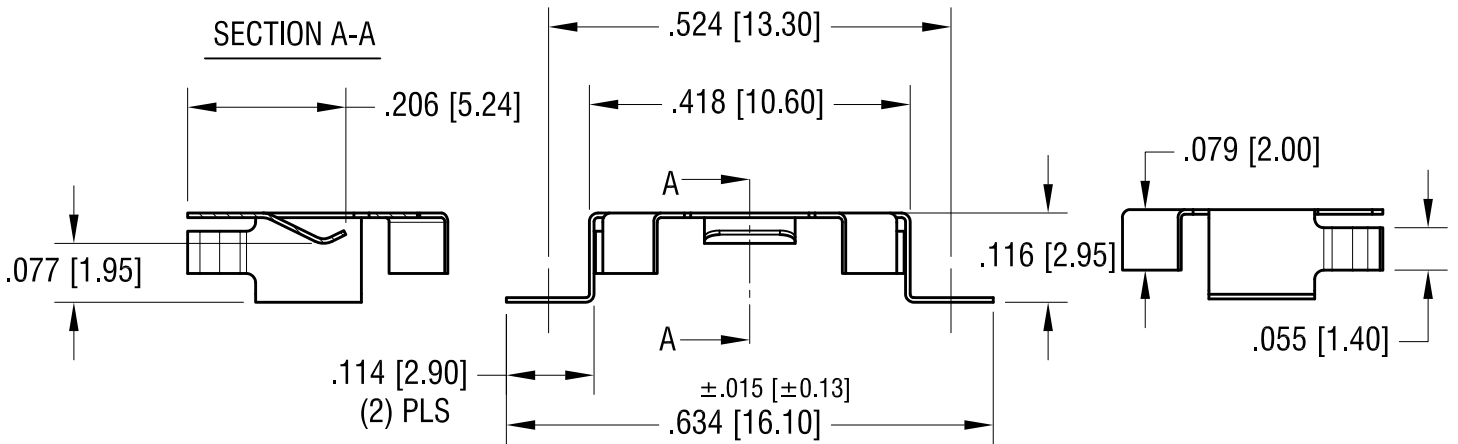
MOUNTING PAD LAYOUT



ACTUAL SIZE



SECTION A-A



KEYSTONE ELECTRONICS CORP.

www.keyelco.com • ASTORIA, N.Y. 11105-2017 • Tel (718) 956-8900

PART NAME
10mm SM COIN CELL CLIP

MATERIAL
.006 [0.15] TH'K PHOSPHOR BRONZE

FINISH MATTE TIN PLATE	DRN BY NT	DATE 9.17.10
	APP'D LN	SCALE 4X

12.27.16 CHANGE AS PER ECN 16-115

A

TOLERANCES INCH [MM]	CODE	DRW NO.
DECIMAL ±.010 [±0.25]	C	3050
ANGULAR ± 1°		
UNLESS OTHERWISE SPECIFIED		

DATE DESCRIPTION

REV.