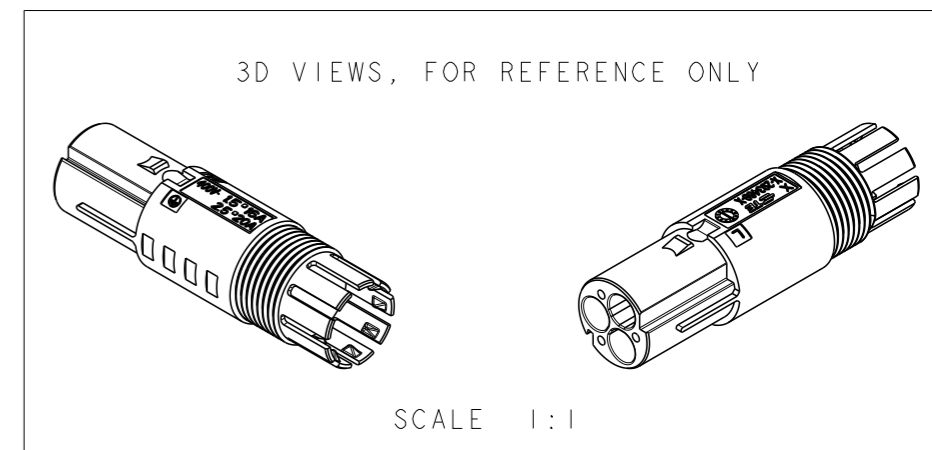
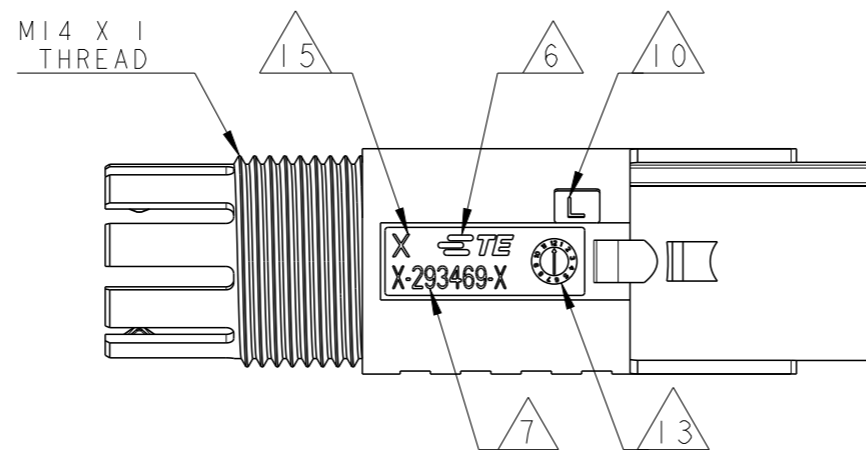
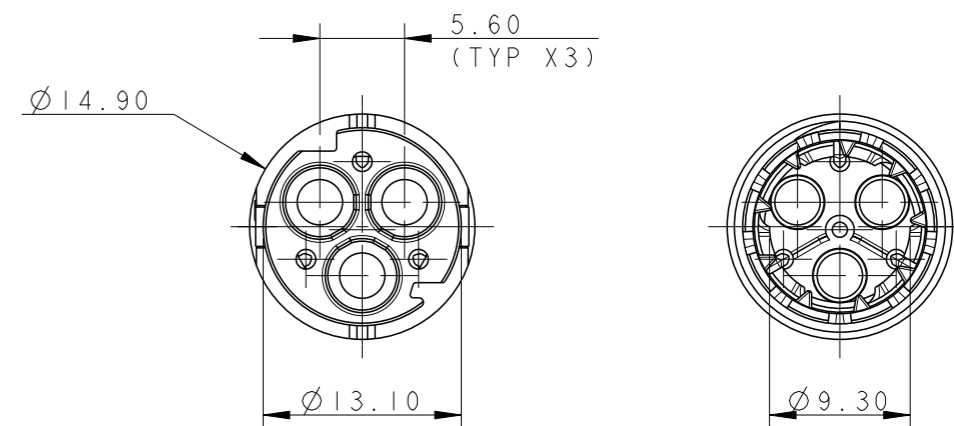
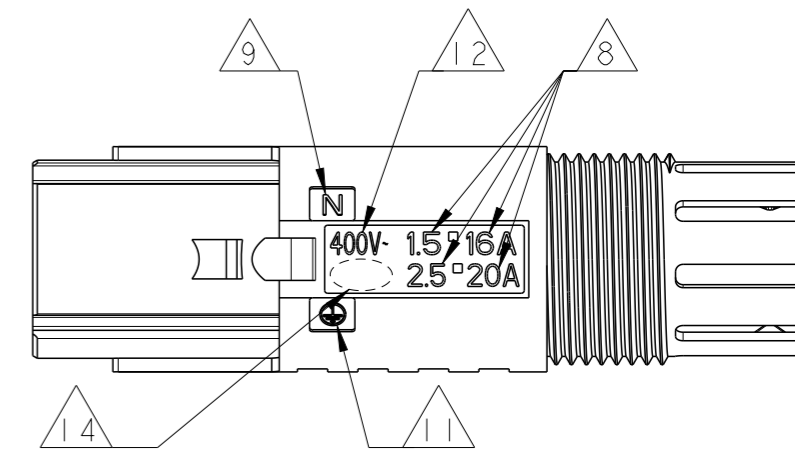
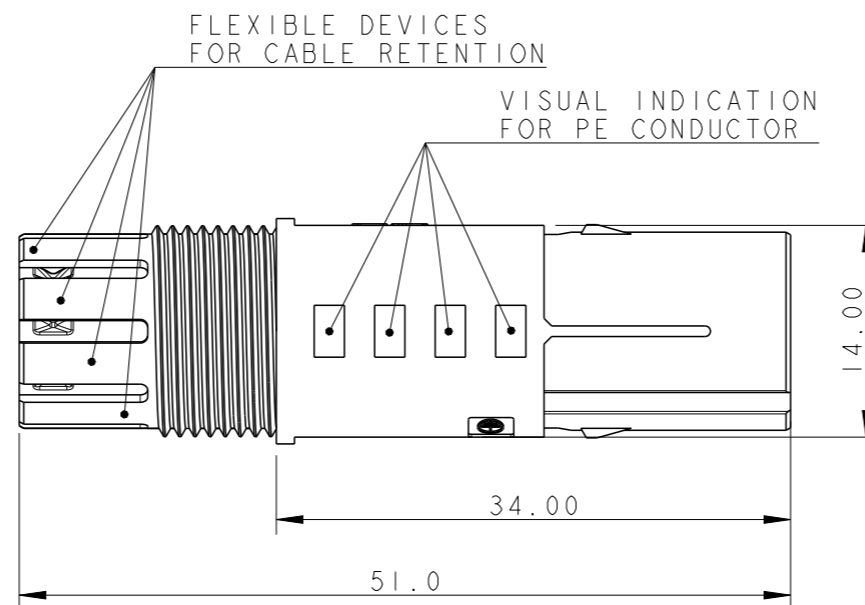


THIS DRAWING IS UNPUBLISHED. RELEASED FOR PUBLICATION 2010  
 © COPYRIGHT 2010 Tyco Electronics AMP GmbH ALL RIGHTS RESERVED.


LOC	DIST	REVISIONS			
P	LTR	DESCRIPTION	DATE	DWN	APVD
	G	PARTS -1 AND 1-1 RELEASED FOR PRODUCTION	12SEP2011	MZ	GT
	G1	REVISED MARKINGS	05NOV2012	MZ	JC
	G2	PARTS -2, -3, 1-2, 1-3 RELEASED FOR PRODUCTION	26JUN2013	KR	JC
	G3	REVISED PART NUMBERS	21JULK2017	SK	ZM

NOTES:

- 1) MATERIAL: POLYAMIDE GLASS FILLED  
COLOUR NATURAL
- 2) MATERIAL: POLYAMIDE GLASS FILLED  
COLOUR BLACK
- 3) NET WEIGHT: ~4.8 g
- 4) VOLUME: ~3450 mm<sup>3</sup>
- 5) PACKAGING: SEE TE PACKAGING SPECIFICATION  
107-20294
- 6) TE LOGO
- 7) TE PART NUMBER
- 8) CONDUCTOR SIZE AND CURRENT RATING
- 9) N CODE
- 10) L CODE
- 11) PE CODE
- 12) RATED VOLTAGE
- 13) DATE CODE
- 14) AREA FOR AGENCY APPROVAL LOGO
- 15) CAVITY MOULD ID
- 16) PART NOT YET TOOLED AND RELEASED  
FOR PRODUCTION



17) FOR CABLE TYPE AND CABLE RANGE REFER TO CUSTOMER DRAWING 293607

THIS DRAWING IS A CONTROLLED DOCUMENT.		DWN M. ZUCCA 06OCT2009	 TE Connectivity	
DIMENSIONS: mm		CHK M. ZUCCA 06OCT2009		
TOLERANCES UNLESS OTHERWISE SPECIFIED:		APVD G. TURCO 06OCT2009	NAME PIN HOUSING FREE HANGING	
0 PLC ±- 1 PLC ±0.3 2 PLC ±0.20 3 PLC ±- 4 PLC ±- ANGLES ±3° FINISH -		PRODUCT SPEC 108-20304	NECTOR* M-LINE	
MATERIAL SEE NOTES		APPLICATION SPEC 114-20152	3 POSITIONS UNSEALED VERSION	
		WEIGHT NOTE 3	SIZE A3	RESTRICTED TO -
		Customer Drawing	CAGE CODE 00779	DRAWING NO C-293469
			SCALE 2:1	SHEET 1 OF 2
				REV G3

THIS DRAWING IS UNPUBLISHED. RELEASED FOR PUBLICATION 2010  
 © COPYRIGHT 2010 Tyco Electronics AMP GmbH ALL RIGHTS RESERVED.

LOC	DIST	REVISIONS					
		P	LTR	DESCRIPTION	DATE	DWN	APVD
1	-	-	-	SEE SHEET 1	-	-	-

POLARIZATION TYPES	
TYPE "A"	TYPE "B"
P/Ns: 0-293469-1, 1-293469-1	P/Ns: 0-293469-2, 1-293469-2
TYPE "C"	TYPE "D"
P/Ns: 0-293469-3, 1-293469-3	P/Ns: 0-293469-4, 1-293469-4

TABLE 1					
NOTE	POL. KEYING	COLOUR	DESCRIPTION	REV.	PART NUMBER
	D	BLACK	PIN HOUSING FREE HANGING VERSION NECTOR* M-LINE	F	1-293469-4
	C	BLACK	PIN HOUSING FREE HANGING VERSION NECTOR* M-LINE	G	1-293469-3
	B	BLACK	PIN HOUSING FREE HANGING VERSION NECTOR* M-LINE	G	1-293469-2
	A	BLACK	PIN HOUSING FREE HANGING VERSION NECTOR* M-LINE	G	1-293469-1
	D	NATURAL	PIN HOUSING FREE HANGING VERSION NECTOR* M-LINE	F	0-293469-4
	C	NATURAL	PIN HOUSING FREE HANGING VERSION NECTOR* M-LINE	G	0-293469-3
	B	NATURAL	PIN HOUSING FREE HANGING VERSION NECTOR* M-LINE	G	0-293469-2
	A	NATURAL	PIN HOUSING FREE HANGING VERSION NECTOR* M-LINE	G	0-293469-1

THIS DRAWING IS A CONTROLLED DOCUMENT.		DWN M. ZUCCA 06OCT2009	TE Connectivity	
DIMENSIONS: mm		CHK M. ZUCCA 06OCT2009		
TOLERANCES UNLESS OTHERWISE SPECIFIED:		APVD G. TURCO 06OCT2009	NAME PIN HOUSING FREE HANGING NECTOR* M-LINE 3 POSITIONS UNSEALED VERSION	
		PRODUCT SPEC 108-20304	SIZE A3	
MATERIAL SEE NOTES		APPLICATION SPEC 114-20152	CAGE CODE 00779	DRAWING NO G-293469
FINISH -		WEIGHT NOTE 3	RESTRICTED TO -	
		Customer Drawing	SCALE 2:1	SHEET 2 OF 2 REV G3