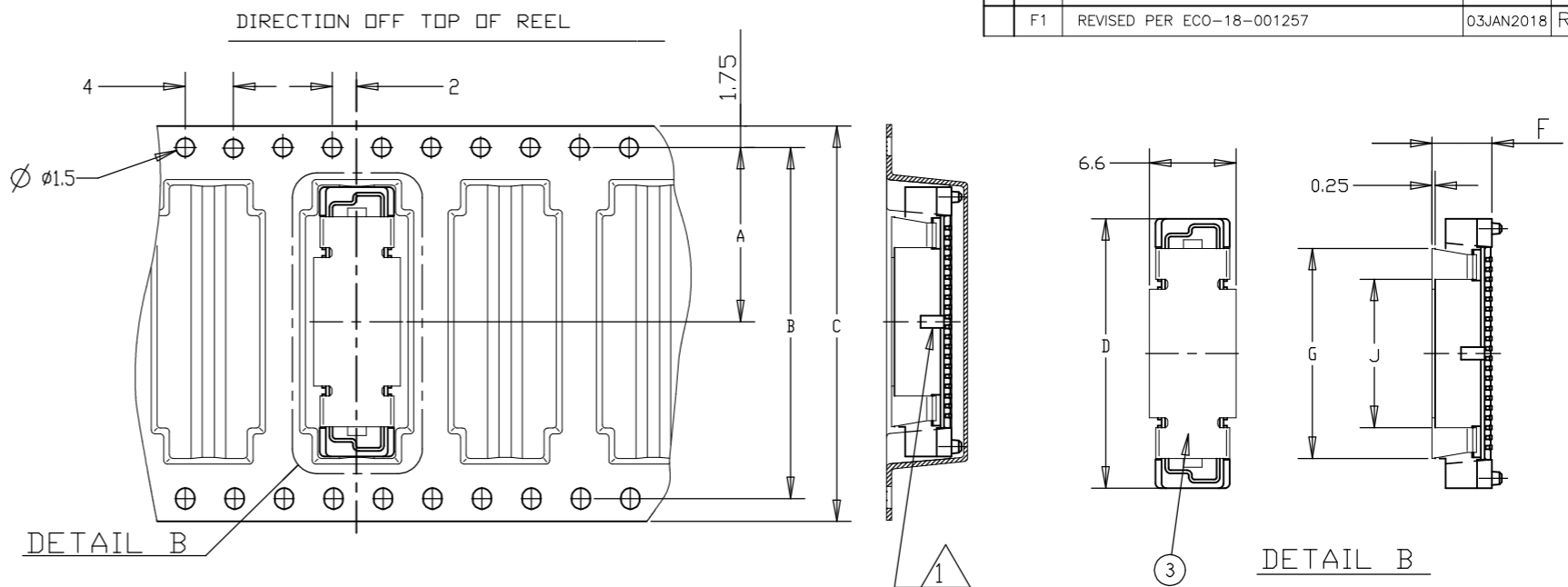


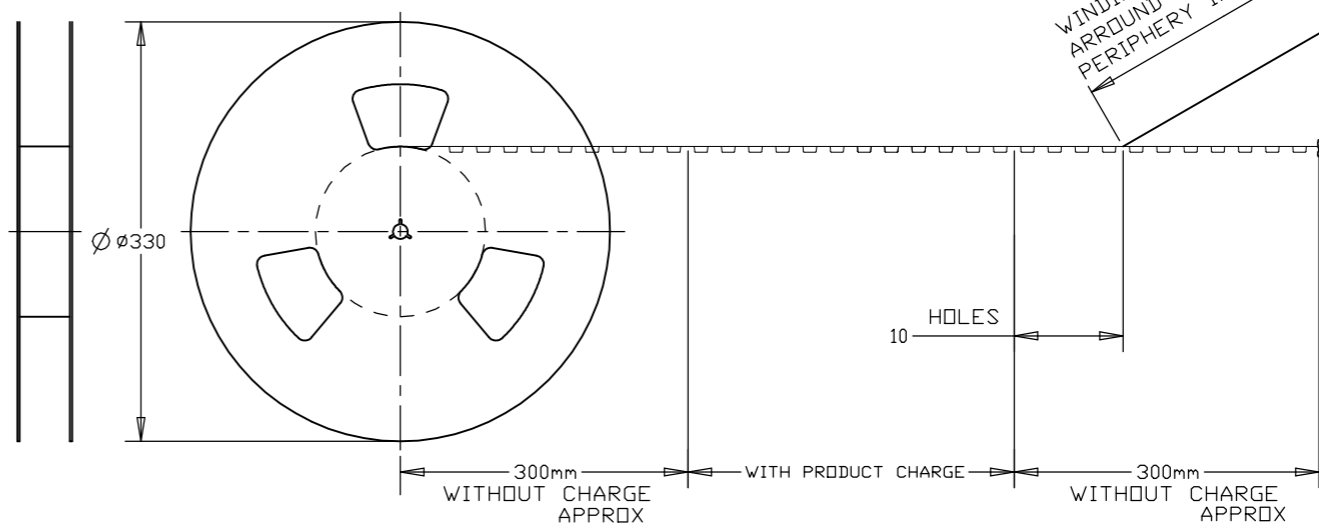
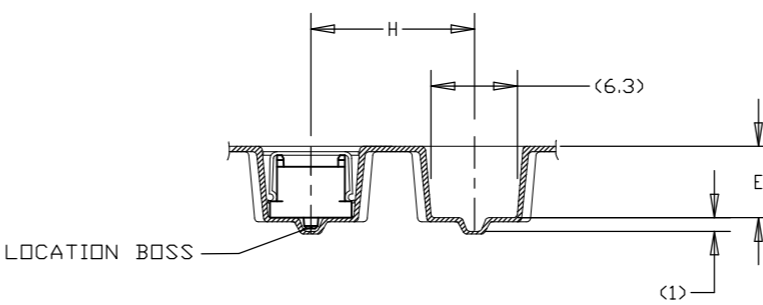
REVISIONS					
P	LTR	DESCRIPTION	DATE	DWN	APVD
F1		REVISED PER ECO-18-001257	03JAN2018	R.L	H.L

LOW HALOGEN

- Notes:
- 1 CUTOUT FEATURE AVAILABLE ONLY ON 5H ASSY P/N -1 (40P) AND -2 (60P).
 - 6 0.00038 MIN GOLD PLATING (15u INCHES GOLD PLATING)
 - 3 CONNECTOR DIMENSIONS REFERENCED FROM DRAWING WHICH CONN. P/Ns BASED
 - 4 CONNECTOR WITH BLACK HOUSING
 - 5 MATERIAL: HOUSING: L.C.P UL 94-V0. CONTACT: BRASS



																F1			
HEIGHT	Y	X	J	H	G	F	E	D	C	B	A	POS							
450													61.8	88	84.4	42.2	140	7-	-6
													53.8				120	7-	-5
													45.8	72	68.4	34.2	100	7-	-4
													37.8	56	52.4	26.2	80	7-	-3
700	7H	3.6	6.6	12		6.85	7.25						29.8	44	40.4	20.2	60	7-	-2
													21.8	32	28.4	14.2	40	7-	-1
													69.8				160	6-	-8
													61.8	88	84.4	42.2	140	6-	-6
													53.8				120	6-	-5
550													45.8	72	68.4	34.2	100	6-	-4
													37.8	56	52.4	26.2	80	6-	-3
													29.8	44	40.4	20.2	60	6-	-2
800	6H	2.6	5.6	12		5.85	6.25						21.8	32	28.4	14.2	40	6-	-1
													85.8	104	100.4	50.2	200	5-	-0
													69.8				160	5-	-8
													61.8	88	84.4	42.2	140	5-	-6
													53.8				120	5-	-5
650													45.8	72	68.4	34.2	100	5-	-4
													37.8	56	52.4	26.2	80	5-	-3
													29.8	44	40.4	20.2	60	5-	-2
900	5H	1.2	4.6	12	12	17	4.85	5.25					21.8	32	28.4	14.2	40	5-	-1
													37.8	56	52.4	26.2	80	8-	-3
													53.8	72	68.4	34.2	120	4-	-5
													85.8				200	4-	-0
													77.8	104	100.4	50.2	180	3-	-9
													69.8				160	3-	-8
													61.8	88	84.4	42.2	140	3-	-6
													53.8				120	3-	-5
400													45.8	72	68.4	34.2	100	3-	-4
													37.8	56	52.4	26.2	80	3-	-3
													29.8	44	40.4	20.2	60	3-	-2
600	8H	4.6	7.6	12		7.85	8.25						21.8	32	28.4	14.2	40	3-	-1
													85.8				200	3-	-0
													77.8	104	100.4	50.2	180	2-	-9
													69.8				160	2-	-8
													61.8	88	84.4	42.2	140	2-	-6
													53.8				120	2-	-5
450													45.8	72	68.4	34.2	100	2-	-4
													37.8	56	52.4	26.2	80	2-	-3
													29.8	44	40.4	20.2	60	2-	-2
700													21.8	32	28.4	14.2	40	2-	-1
500	7H	3.6	6.6	16		6.85	7.25						21.8	32	28.4	14.2	40	2-	-0
													61.8	88	84.4	42.2	140	1-	-6
													53.8				120	1-	-5
													45.8	72	68.4	34.2	100	1-	-4
													37.8	56	52.4	26.2	80	1-	-3
													29.8	44	40.4	20.2	60	1-	-2
800	6H	2.6	5.6	12		5.85	6.25						21.8	32	28.4	14.2	40	1-	-1
													69.8				160		-8
													61.8	88	84.4	42.2	140		-6
													53.8				120		-5
													45.8	72	68.4	34.2	100		-4
													37.8	56	52.4	26.2	80		-3
													29.8	44	40.4	20.2	60		-2
900	5H	1.2	4.6	12	12	17	4.85	5.25					21.8	32	28.4	14.2	40		-1



THIS DRAWING IS A CONTROLLED DOCUMENT.

DWN FLORENCE TAN 30AUG2004
CHK ERIC TNG 30MAY2012
APVD SF LEONG 30MAY2012

TE TE Connectivity

PRODUCT SPEC
APPLICATION SPEC

NAME
SIZE
CAGE CODE
DRAWING NO
RESTRICTED TO

PLUG ASSEMBLY, FH 0.8
ON TAPING (EMBOSS) 0.5 BOSS LENGTH

WEIGHT 0
A2 00779 C=5177986

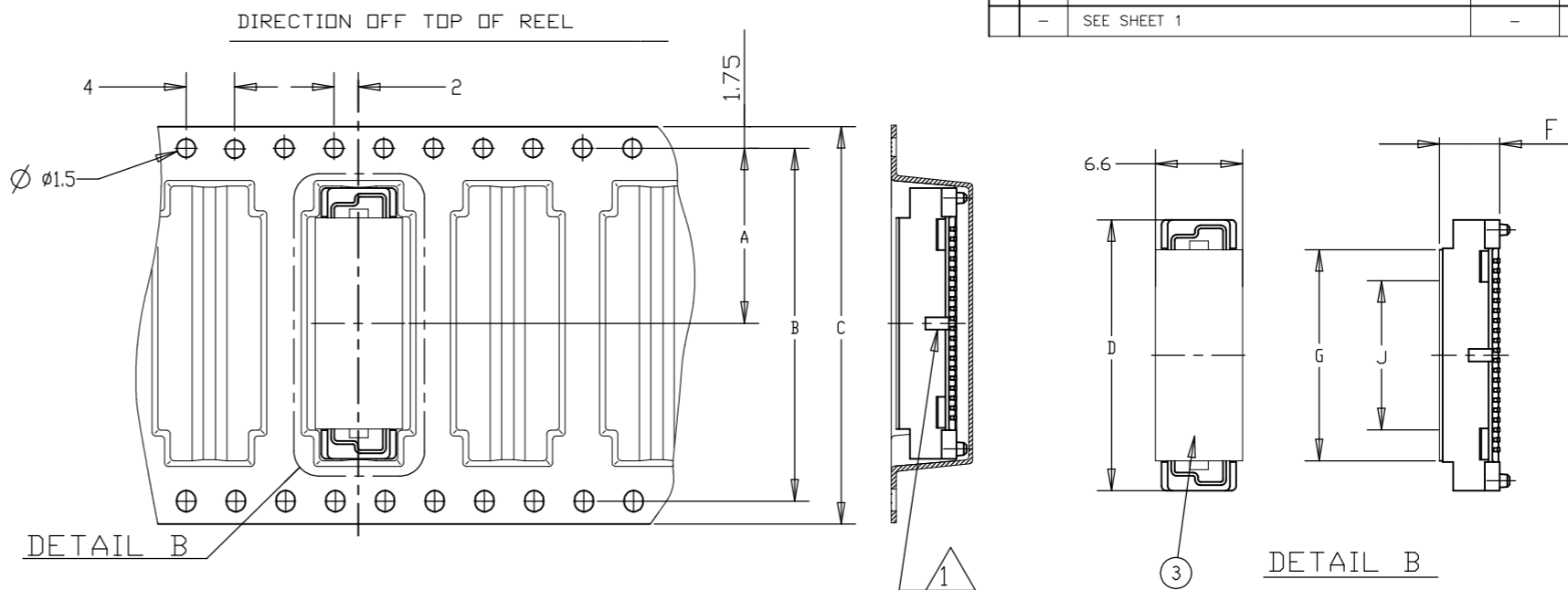
CUSTOMER DRAWING SCALE 1:1 SHEET 1 of 3 REV F1

THIS DRAWING IS UNPUBLISHED. RELEASED FOR PUBLICATION
 © COPYRIGHT - TE Connectivity ALL RIGHTS RESERVED.

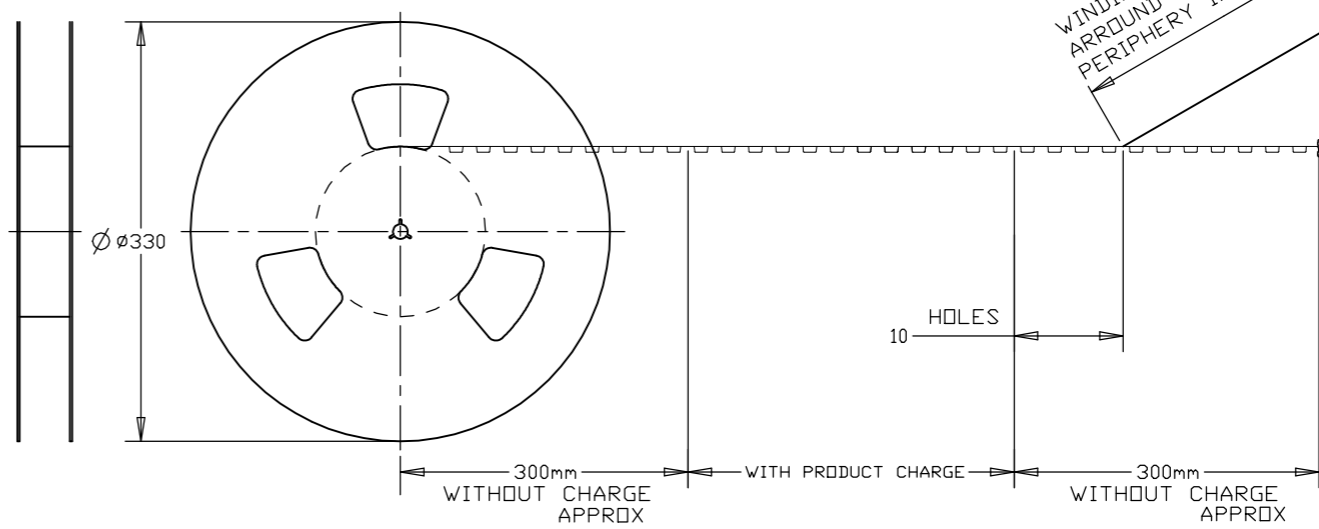
LOW HALOGEN

REVISIONS				
P	LTR	DESCRIPTION	DATE	APVD
-	-	SEE SHEET 1	-	-

Notes:
 6 0.0002 MIN GOLD PLATING
 (7.8u INCHES GOLD PLATING)



LOCATION BOSS



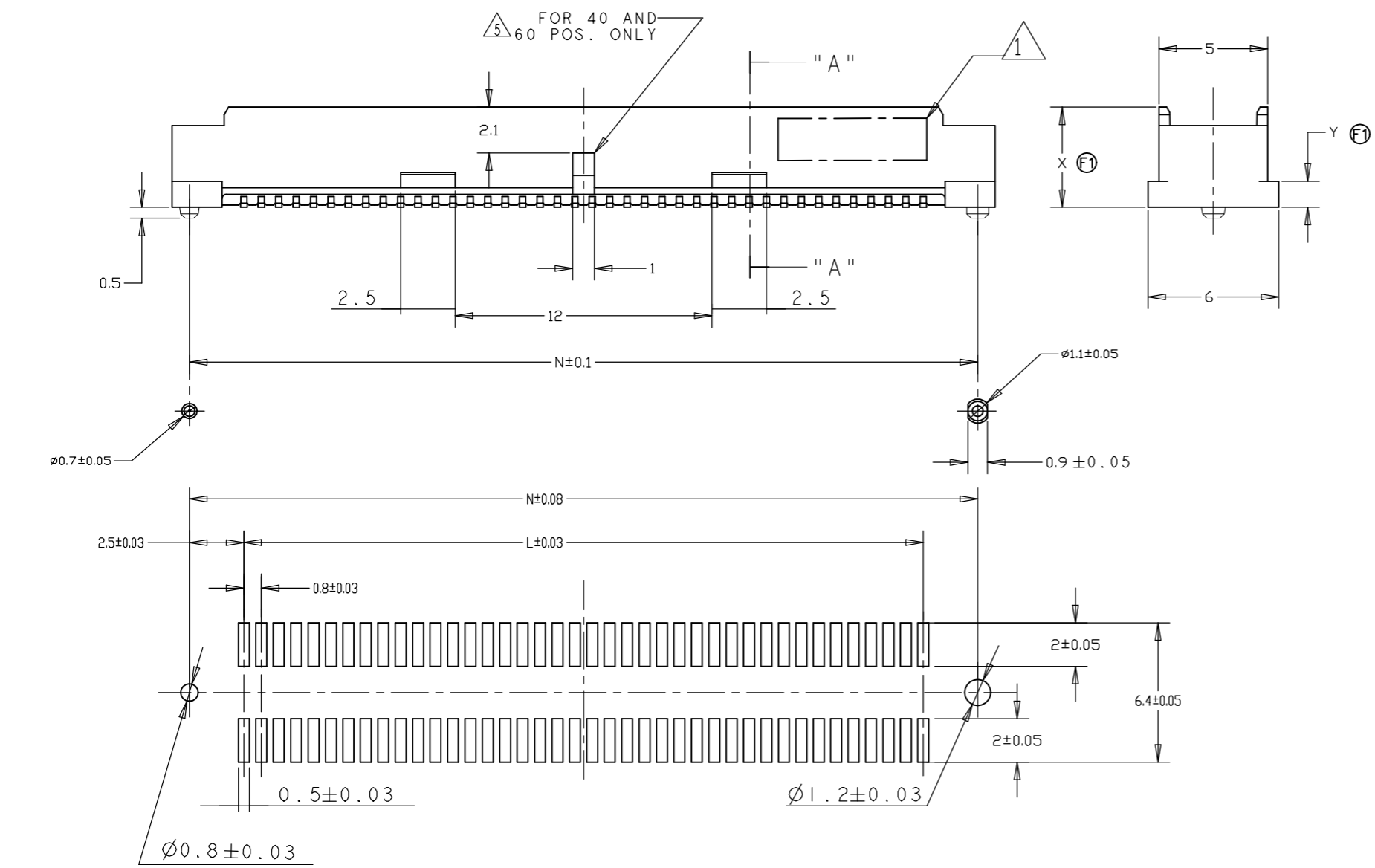
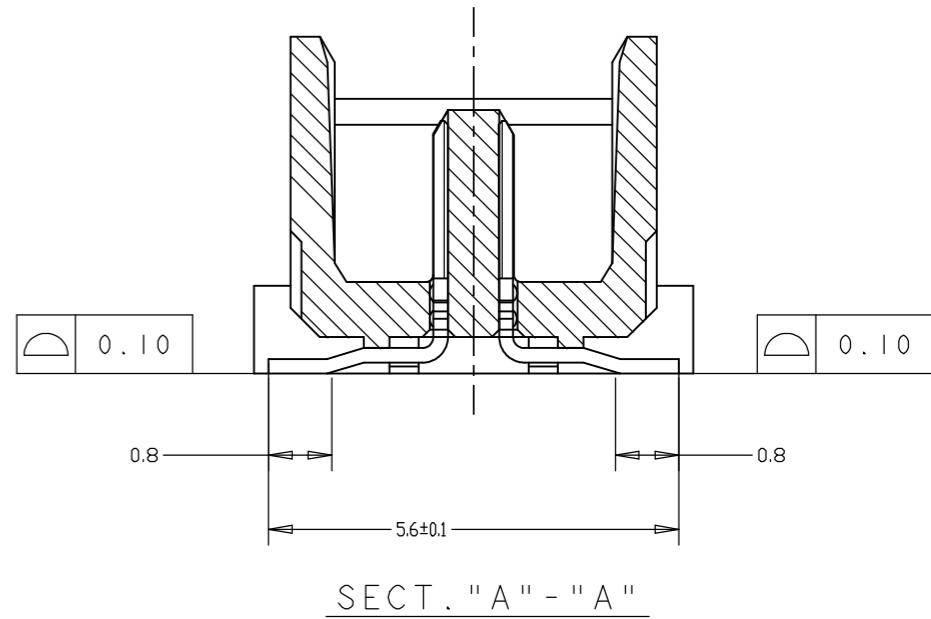
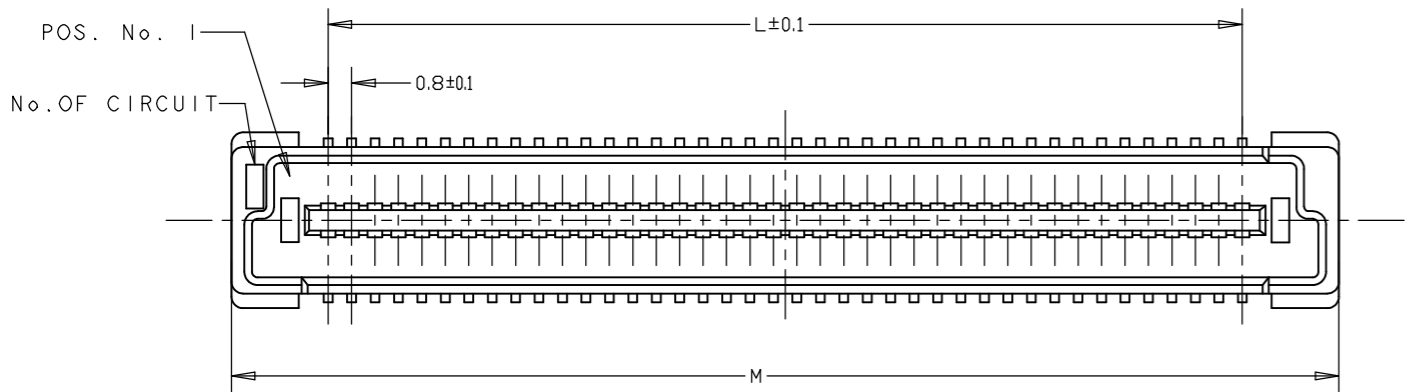
WINDING THE COVER TAPE
 AROUND THE OUTER
 PERIPHERY IN A TURN.

POLYIMIDE COVER

REMARKS	QTY	HEIGHT TYPE	J	H	G	F	E	D	C	B	A	POS	9-5177986-6	SALEABLE PART NO.
---------	-----	-------------	---	---	---	---	---	---	---	---	---	-----	-------------	-------------------

THIS DRAWING IS A CONTROLLED DOCUMENT.		DWN 30AUG2004 FLORENCE TAN		
DIMENSIONS: mm		CHK 30MAY2012 ERIC TNG		
TOLERANCES UNLESS OTHERWISE SPECIFIED:		APVD 30MAY2012 SF LEONG	NAME	
0 PLC ± -		PRODUCT SPEC	PLUG ASSEMBLY, FH 0.8 ON TAPING (EMBOSS) 0.5 BOSS LENGTH	
1 PLC ± 0.2		APPLICATION SPEC	SIZE	CAGE CODE
2 PLC ± 0.15		WEIGHT 0	A2	00779
3 PLC ± 0.1		CUSTOMER DRAWING	C=5177986	
4 PLC ± -		SCALE 1:1	SHEET 2 of 3	REV F1
ANGLES ± -				
FINISH -				

REVISIONS				
P	LTR	DESCRIPTION	DATE	APVD
-	-	SEE SHEET 1	-	-



RECOMMENDED P.C. BOARD LAYOUT

LOW HALOGEN

CONNECTOR ONLY

84.2	85.8	79.2	200
76.2	77.8	71.2	180
68.2	69.8	63.2	160
60.2	61.8	55.2	140
52.2	53.8	47.2	120
44.2	45.8	39.2	100
36.2	37.8	31.2	80
28.2	29.8	23.2	60
20.2	21.8	15.2	40
(F1)	N	M	L POS.

THIS DRAWING IS A CONTROLLED DOCUMENT.		DWN FLORENCE TAN 30AUG2004		
DIMENSIONS: mm		CHK ERIC TNG 30MAY2012		
TOLERANCES UNLESS OTHERWISE SPECIFIED:		APVD SF LEONG 30MAY2012	NAME	
0 PLC ± -		PRODUCT SPEC	PLUG ASSEMBLY, FH 0.8 ON TAPING (EMBOSS) 0.5 BOSS LENGTH	
1 PLC ± 0.2		APPLICATION SPEC	RESTRICTED TO	
2 PLC ± 0.15		WEIGHT	SIZE	CAGE CODE
3 PLC ± 0.1		0	A2	00779
4 PLC ± -		CUSTOMER DRAWING	DRAWING NO. C=5177986	
ANGLES ± -		SCALE	1:1	
FINISH		SHEET	3 of 3	
-		REV	F1	

5177986