

UNIVERSAL SERIAL BUS: KMMX Series

Micro Universal Serial Bus 3.0

Product Features

Also Known as SuperSpeed USB
 More Compact Footprint than Mini-USB
 Meets the USB-IF 3.0 Specification
 Stainless Steel Shell, Which Yields 10,000 Insertion Cycles
 Used in Portable Devices Such as Mobile Phones, PDAs, and Digital Cameras
 CSA/NRTL/US Certified File No. LR78160
 UL File No. E134345

Performance Specifications

Materials and Finish

Insulator

LCP+50%GF UL 94V-0 Rated, Black Color

Contacts

30µ" Gold Plating over Nickel on Contact Area,
 Gold Flash Plating on Solder Tail

Shell

Stainless Steel, Nickel Plated

Electrical Characteristics

Rated Voltage: 5V AC (RMS Max.)
Rated Current: 1.8A (only Pin 1,5); 0.25A For Other Pins
Dielectric Withstanding Voltage: 100V AC for 1 Min.
Insulation Resistance: 100 Megohms Min.
Contact Resistance: 50 milliohms Max
Operating Temperature: See Drawing

Mechanical Characteristics

Insertion Force

35N Max. **Force**

Withdrawal

8N Min.

Durability

10000 Cycles Min.

2D Drawing	IGES	STEP	3D PDF
Solder Profile	CofC RoHS Compliant	CofC REACH Compliant	UL Plastic File
Certificate of Origin	Check Stock	Request a Sample	Send Us An Email

Generated Part Number

Part Number Builder

<input type="text"/>	-	<input type="text"/>	<input type="text"/>	<input type="text"/>	<input type="text"/>	<input type="text"/>
Series		Type	Mounting Option	Insulator Color	Plating Option	Packaging Option

Series

KMMX - Micro Universal Serial Bus

Type

AB10 - AB Type, 10 pins

B10 - B Type, 10 pins

Mounting Option

SMT1S - Surface Mount with Through Hole Shield Tabs

SMT4S - Surface Mount with SMT Shield Tabs

Insulator Color Option

B - Black

Plating Option

30 - 30µ" Gold

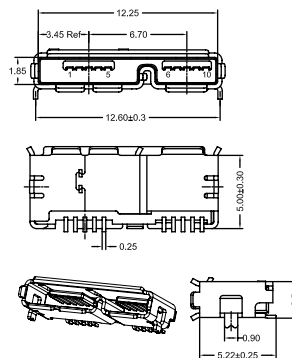
Packaging

TR - Tape and Reel

Contact Kycon for other options

KMMX-AB10-SMT1SB30

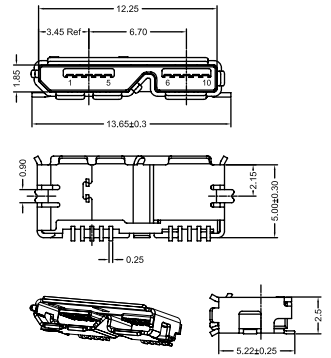
Dimensions in mm



Pin Number	Signal Name
1	VBUS
2	D-
3	D+
4	ID
5	GND
6	MicA_SSTX-
7	MicA_SSTX+
8	GND_DRAIN
9	MicA_SSRX-
10	MicA_SSRX+

KMMX-B10-SMT4SB30

Dimensions in mm



Pin Number	Signal Name
1	VBUS
2	D-
3	D+
4	ID
5	GND
6	MicA_SSTX-
7	MicA_SSTX+
8	GND_DRAIN
9	MicA_SSRX-
10	MicA_SSRX+