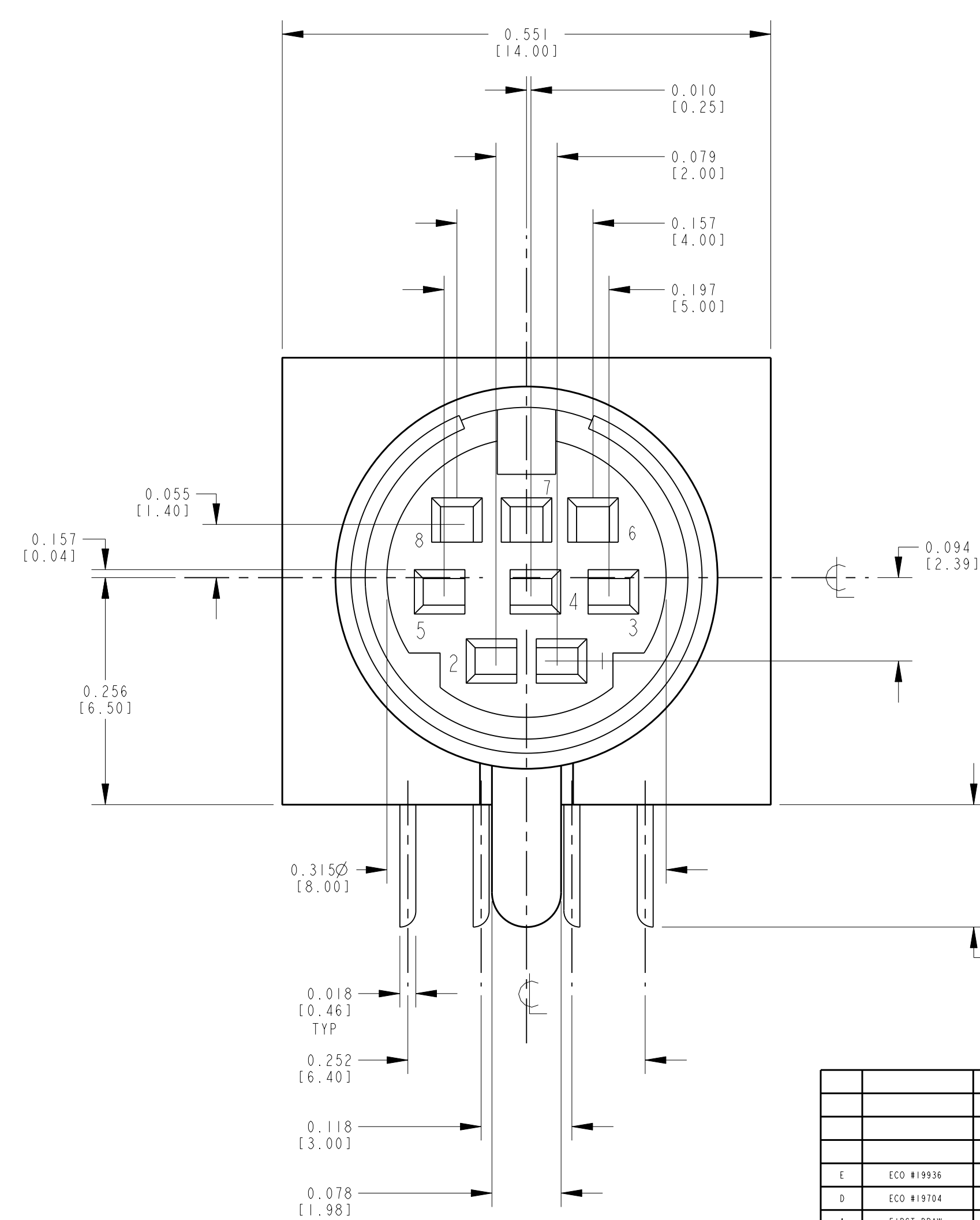
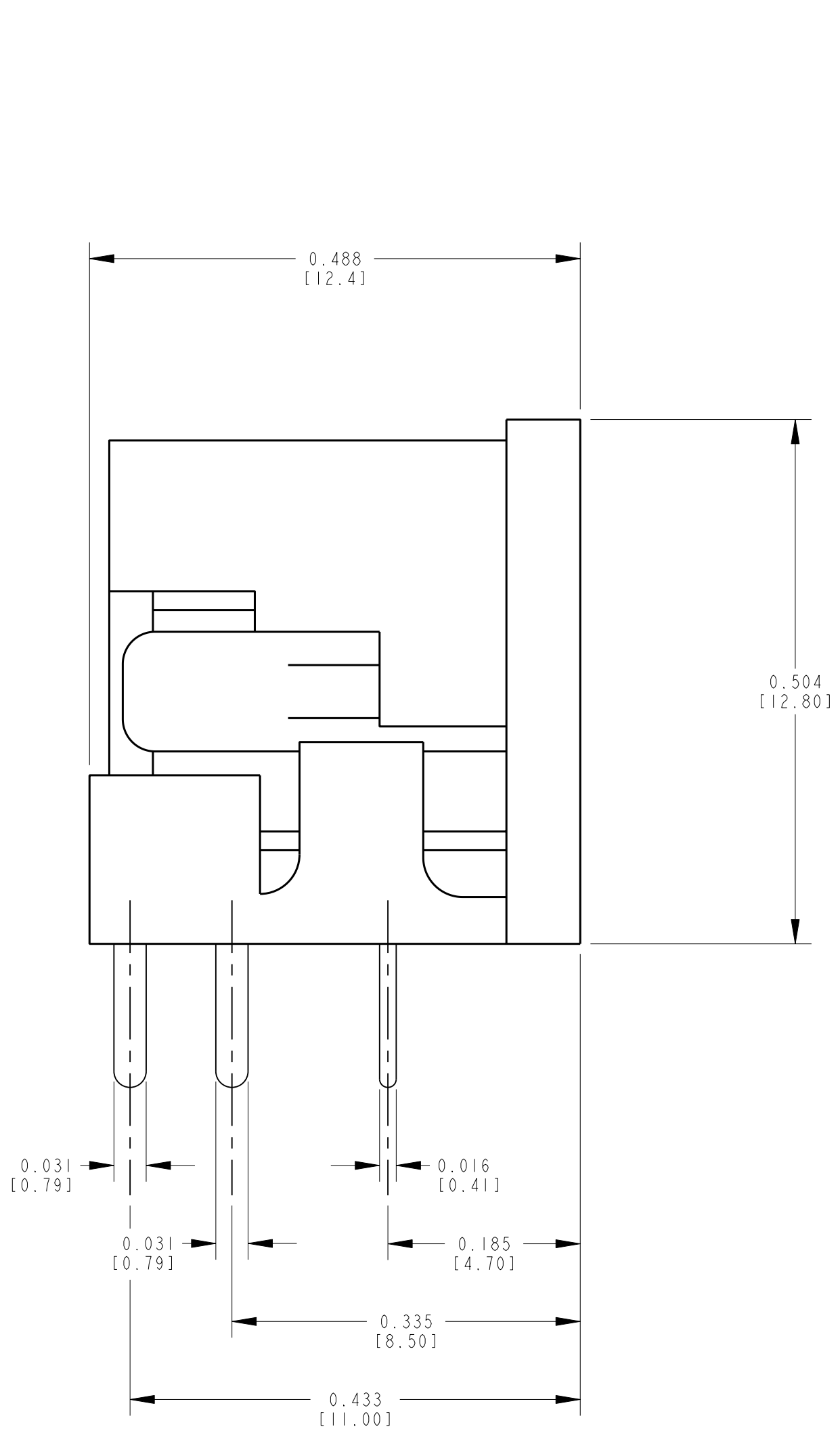


SWITCHCRAFT CATALOG PART NUMBER

SILVER PLATED CONTACT	S-MD3FRA110	SILVER PLATED CONTACT	S-MD4FRA110	SILVER PLATED CONTACT	S-MD5FRA110	SILVER PLATED CONTACT	S-MD6FRA110	SILVER PLATED CONTACT	S-MD7FRA110	SILVER PLATED CONTACT	S-MD8FRA110
<p>FRONT FACE OF CONTACTS</p>		<p>FRONT FACE OF CONTACTS</p>		<p>FRONT FACE OF CONTACTS</p>		<p>FRONT FACE OF CONTACTS</p>		<p>FRONT FACE OF CONTACTS</p>		<p>FRONT FACE OF CONTACTS</p>	
<p>RECOMMENDED P.C. BOARD LAYOUT (SOLDER SIDE) SCALE: 1: .375</p>		<p>RECOMMENDED P.C. BOARD LAYOUT (SOLDER SIDE) SCALE: 1: .375</p>		<p>RECOMMENDED P.C. BOARD LAYOUT (SOLDER SIDE) SCALE: 1: .375</p>		<p>RECOMMENDED P.C. BOARD LAYOUT (SOLDER SIDE) SCALE: 1: .375</p>		<p>RECOMMENDED P.C. BOARD LAYOUT (SOLDER SIDE) SCALE: 1: .375</p>		<p>RECOMMENDED P.C. BOARD LAYOUT (SOLDER SIDE) SCALE: 1: .375</p>	



**CURRENT CARRYING CAPACITY**  
 1A, 100V AC  
 2A, 12V DC  
 INSULATION RESISTANCE: 50M $\Omega$  MIN  
 DIELECTRIC STRENGTH: 250V DC/1 MINUTE  
 CONTACT RESISTANCE: 30m $\Omega$  MAX I  
 INSERTION FORCE: 0.8-5 KG / 1.76-111b  
 EXTRACTION FORCE: 0.8-4 KG / 1.76-8.81b

CUSTOMER DRAWING

CAD/CAM DWG. NO.  
SMD3-SMD8FRA110\_CD  
SHEET 1 OF 1

STAR SYMBOL DENOTES CRITICAL DIMENSION. SEE SPC ENGINEERING STANDARD ES-0001. UNLESS OTHERWISE SPECIFIED				THIS DRAWING DESCRIBES A DESIGN CONSIDERED PROPRIETARY IN NATURE, DEVELOPED AND MANUFACTURED BY SWITCHCRAFT INC. AND IS RELEASED ON A CONFIDENTIAL BASIS FOR IDENTIFICATION PURPOSE ONLY.			
FINISH		SILVER PLATE		MATERIAL		SPEC. NO.	
FIRST USED ON		SCALE		MATERIAL		SPEC. NO.	
DATE DRAWN		BY		CHK'D		APP'D	
9-6-90		SG		EB		DV	
ISSUE		CHANGE NO.		DATE		BY	
A		1		9-6-90		SG	
REVISIONS		DO NOT SCALE DRAWING		MINI DIN		PART NO. SMD3/SMD8FRA110	
E		ECO #19936		6-19-95		RC	
D		ECO #19704		3-24-95		RC	
A		FIRST DRAW		9-6-90		SG	
E		ECO #19704		3-24-95		RC	
A		FIRST DRAW		9-6-90		SG	
E		ECO #19704		3-24-95		RC	
A		FIRST DRAW		9-6-90		SG	
E		ECO #19936		6-19-95		RC	
D		ECO #19704		3-24-95		RC	
A		FIRST DRAW		9-6-90		SG	
E		ECO #19704		3-24-95		RC	
A		FIRST DRAW		9-6-90		SG	
E		ECO #19936		6-19-95		RC	
D		ECO #19704		3-24-95		RC	
A		FIRST DRAW		9-6-90		SG	
E		ECO #19704		3-24-95		RC	
A		FIRST DRAW		9-6-90		SG	
E		ECO #19936		6-19-95		RC	
D		ECO #19704		3-24-95		RC	
A		FIRST DRAW		9-6-90		SG	
E		ECO #19704		3-24-95		RC	
A		FIRST DRAW		9-6-90		SG	
E		ECO #19936		6-19-95		RC	
D		ECO #19704		3-24-95		RC	
A		FIRST DRAW		9-6-90		SG	
E		ECO #19704		3-24-95		RC	
A		FIRST DRAW		9-6-90		SG	
E		ECO #19936		6-19-95		RC	
D		ECO #19704		3-24-95		RC	
A		FIRST DRAW		9-6-90		SG	
E		ECO #19704		3-24-95		RC	
A		FIRST DRAW		9-6-90		SG	
E		ECO #19936		6-19-95		RC	
D		ECO #19704		3-24-95		RC	
A		FIRST DRAW		9-6-90		SG	
E		ECO #19704		3-24-95		RC	
A		FIRST DRAW		9-6-90		SG	
E		ECO #19936		6-19-95		RC	
D		ECO #19704		3-24-95		RC	
A		FIRST DRAW		9-6-90		SG	
E		ECO #19704		3-24-95		RC	
A		FIRST DRAW		9-6-90		SG	
E		ECO #19936		6-19-95		RC	
D		ECO #19704		3-24-95		RC	
A		FIRST DRAW		9-6-90		SG	
E		ECO #19704		3-24-95		RC	
A		FIRST DRAW		9-6-90		SG	
E		ECO #19936		6-19-95		RC	
D		ECO #19704		3-24-95		RC	
A		FIRST DRAW		9-6-90		SG	
E		ECO #19704		3-24-95		RC	
A		FIRST DRAW		9-6-90		SG	
E		ECO #19936		6-19-95		RC	
D		ECO #19704		3-24-95		RC	
A		FIRST DRAW		9-6-90		SG	
E		ECO #19704		3-24-95		RC	
A		FIRST DRAW		9-6-90		SG	
E		ECO #19936		6-19-95		RC	
D		ECO #19704		3-24-95		RC	
A		FIRST DRAW		9-6-90		SG	
E		ECO #19704		3-24-95		RC	
A		FIRST DRAW		9-6-90		SG	
E		ECO #19936		6-19-95		RC	
D		ECO #19704		3-24-95		RC	
A		FIRST DRAW		9-6-90		SG	
E		ECO #19704		3-24-95		RC	
A		FIRST DRAW		9-6-90		SG	
E		ECO #19936		6-19-95		RC	
D		ECO #19704		3-24-95		RC	
A		FIRST DRAW		9-6-90		SG	
E		ECO #19704		3-24-95		RC	
A		FIRST DRAW		9-6-90		SG	
E		ECO #19936		6-19-95		RC	
D		ECO #19704		3-24-95		RC	
A		FIRST DRAW		9-6-90		SG	
E		ECO #19704		3-24-95		RC	
A		FIRST DRAW		9-6-90		SG	
E		ECO #19936		6-19-95		RC	
D		ECO #19704		3-24-95		RC	
A		FIRST DRAW		9-6-90		SG	
E		ECO #19704		3-24-95		RC	
A		FIRST DRAW		9-6-90		SG	
E		ECO #19936		6-19-95		RC	
D		ECO #19704		3-24-95		RC	
A		FIRST DRAW		9-6-90		SG	
E		ECO #19704		3-24-95		RC	
A		FIRST DRAW		9-6-90		SG	
E		ECO #19936		6-19-95		RC	
D		ECO #19704		3-24-95		RC	
A		FIRST DRAW		9-6-90		SG	
E		ECO #19704		3-24-95		RC	
A		FIRST DRAW		9-6-90		SG	
E		ECO #19936		6-19-95		RC	
D		ECO #19704		3-24-95		RC	
A		FIRST DRAW		9-6-90		SG	
E		ECO #19704		3-24-95		RC	
A		FIRST DRAW		9-6-90		SG	
E		ECO #19936		6-19-95		RC	
D		ECO #19704		3-24-95		RC	
A		FIRST DRAW		9-6-90		SG	
E		ECO #19704		3-24-95		RC	
A		FIRST DRAW		9-6-90		SG	
E		ECO #19936		6-19-95		RC	
D		ECO #19704		3-24-95		RC	
A		FIRST DRAW		9-6-90		SG	
E		ECO #19704		3-24-95		RC	
A		FIRST DRAW		9-6-90		SG	
E		ECO #19936		6-19-95		RC	
D		ECO #19704		3-24-95		RC	
A		FIRST DRAW		9-6-90		SG	
E		ECO #19704		3-24-95		RC	
A		FIRST DRAW		9-6-90		SG	
E		ECO #19936		6-19-95		RC	
D		ECO #19704		3-24-95		RC	
A		FIRST DRAW		9-6-90		SG	
E		ECO #19704		3-24-95		RC	
A		FIRST DRAW		9-6-90		SG	
E		ECO #19936		6-19-95		RC	
D		ECO #19704		3-24-95		RC	
A		FIRST DRAW		9-6-90		SG	
E		ECO #19704		3-24-95		RC	
A		FIRST DRAW		9-6-90		SG	
E		ECO #19936		6-19-95		RC	
D		ECO #19704		3-24-95		RC	
A		FIRST DRAW		9-6-90		SG	
E		ECO #19704		3-24-95		RC	
A		FIRST DRAW		9-6-90		SG	
E		ECO #19936		6-19-95		RC	
D		ECO #19704		3-24-95		RC	
A		FIRST DRAW		9-6-90		SG	
E		ECO #19704		3-24-95		RC	
A		FIRST DRAW		9-6-90		SG	
E		ECO #19936		6-19-95		RC	
D		ECO #19704		3-24-95		RC	
A		FIRST DRAW		9-6-90		SG	
E		ECO #19704		3-24-95		RC	
A		FIRST DRAW		9-6-90		SG	
E		ECO #19936		6-19-95		RC	
D		ECO #19704		3-24-95		RC	
A		FIRST DRAW		9-6-90		SG	
E		ECO #19704		3-24-95		RC	
A		FIRST DRAW		9-6-90		SG	
E		ECO #19936		6-19-95		RC	
D		ECO #19704		3-24-95		RC	
A		FIRST DRAW		9-6-90		SG	
E		ECO #19704		3-24-95		RC	
A		FIRST DRAW		9-6-90		SG	
E		ECO #19936		6-19-95		RC	
D		ECO #19704		3-24-95		RC	
A		FIRST DRAW		9-6-90		SG	
E		ECO #19704		3-24-95		RC	
A		FIRST DRAW		9-6-90		SG	
E		ECO #19936		6-19-95		RC	
D		ECO #19704		3-24-95		RC	
A		FIRST DRAW		9-6-90		SG	
E		ECO #19704		3-24-95		RC	
A		FIRST DRAW		9-6-90		SG	
E		ECO #19936		6-19-95		RC	
D		ECO #19704		3-24-95		RC	
A		FIRST DRAW		9-6-90		SG	
E		ECO #19704		3-24-95		RC	
A		FIRST DRAW		9-6-90		SG	
E		ECO #19936		6-19-95		RC	
D		ECO #19704		3-24-95		RC	
A		FIRST DRAW		9-6-90		SG	
E		ECO #19704		3-24-95		RC	
A		FIRST DRAW		9-6-90		SG	
E		ECO #19936		6-19-95		RC	
D		ECO #19704		3-24-95		RC	
A		FIRST DRAW		9-6-90		SG	
E		ECO #19704		3-24-95		RC	
A		FIRST DRAW		9-6-90		SG	
E		ECO #19936		6-19-95		RC	
D		ECO #19704		3-24-95		RC	
A		FIRST DRAW		9-6-90		SG	
E		ECO #19704		3-24-95		RC	
A		FIRST DRAW		9-6-90		SG	
E		ECO #19936		6-19-95		RC	
D		ECO #19704		3-24-95		RC	
A		FIRST DRAW		9-6-90		SG	
E		ECO #19704		3-24-9			

# Mouser Electronics

Authorized Distributor

Click to View Pricing, Inventory, Delivery & Lifecycle Information:

[Switchcraft:](#)

[SMD4FRA110](#) [SMD3FRA110](#) [SMD5FRA110](#) [SMD6FRA110](#) [SMD7FRA110](#)