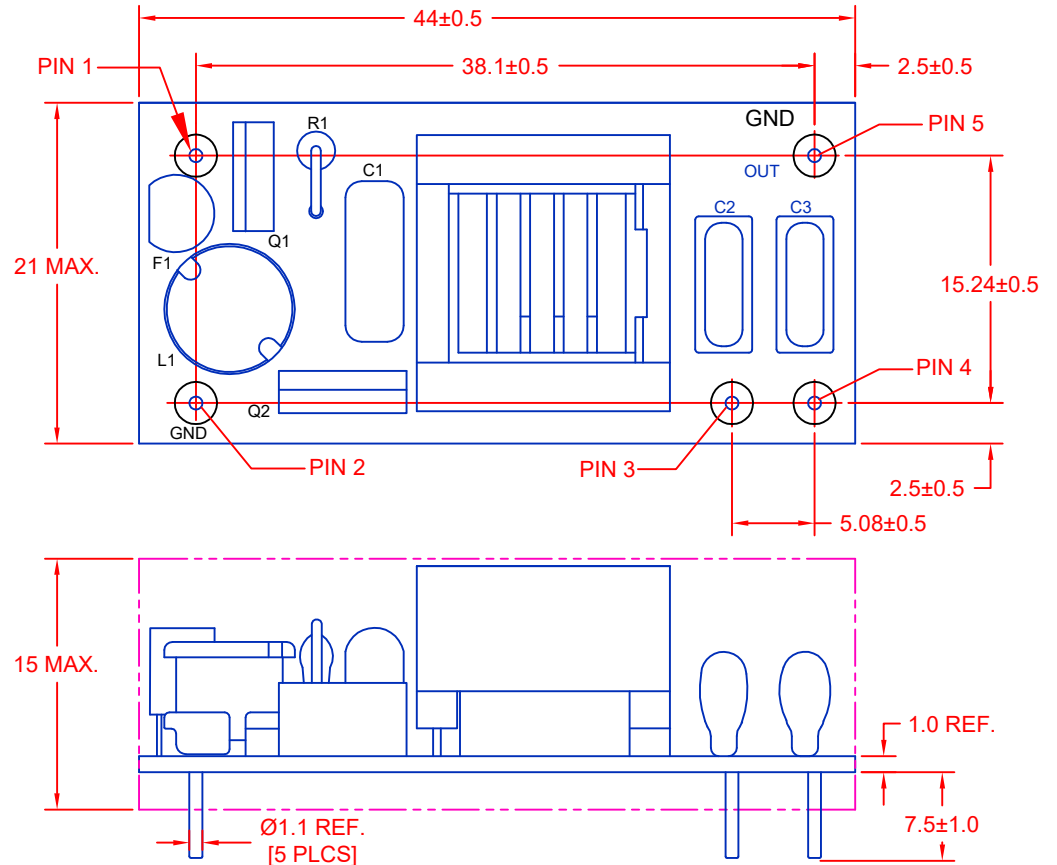


CAUTION:
REVERSE POLARITY TO INVERTER
INPUT WILL CAUSE AN OPEN CIRCUIT
IN FUSE F1.

REV.	DESCRIPTION/ECO NO.	DATE
	RELEASED	3/10/03
A	CHNG DIMS & ADD RoHS NOTE	5/10/06
B	DIMS & CHAR. CHART CHANGES	6/4/18



BOARD PIN #	INPUT
1	+V (V in)
2	V (GND)
3	OUT 1
4	OUT 2
5	OUT (GND)

CHARACTERISTICS	MIN	TYP	MAX
INPUT VOLTAGE: (vdc)	21.6	24.0	26.4
INPUT CURRENT: (mA)	150	200	250
OUTPUT VOLTAGE: (Vrms)	900	1000	1100
OUTPUT CURRENT (mA) x 2	4.5	5.5	6.5
OUTPUT FREQUENCY: (kHz)	24	27	30
OPERATING TEMP: (CELSIUS)	0	25	50

*JKL PART NO.: BXA-24529

*RoHS COMPLIANCE

(CONTACT JKL FOR RoHS LOT IDENTIFICATION)

METRIC		DIMENSIONS ARE IN MILLIMETERS		JKL COMPONENTS CORPORATION			
 THIRD ANGLE PROJECTION		TOLERANCE UNLESS OTHERWISE SPECIFIED 1 PL +/- 0.3 2 PL +/- ANGLE +/- 0		TITLE			
				24 V CCFL POWER SUPPLY			
DRAWN BY	APPV'D BY	DATE	SIZE	FSCM NO.	DRAWING NO.	BXA-24529	
L. WENGSTROM	L.R.	6/4/18	A	55335			
- CAD DRAWING - MANUAL REVISIONS NOT PERMITTED			SCALE	RELEASED DATE	REVISION DATE	REV. NO.	SHEET
			NONE	3/10/03	6/4/18	B	1 OF 1