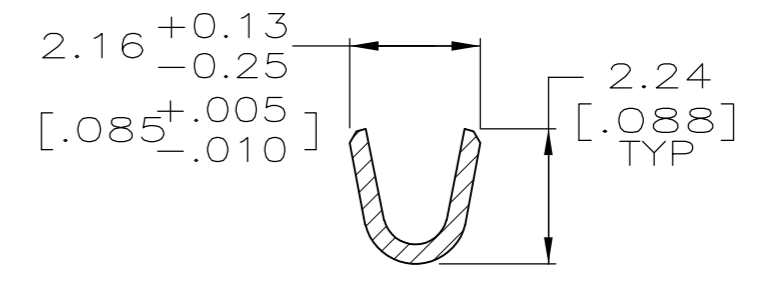
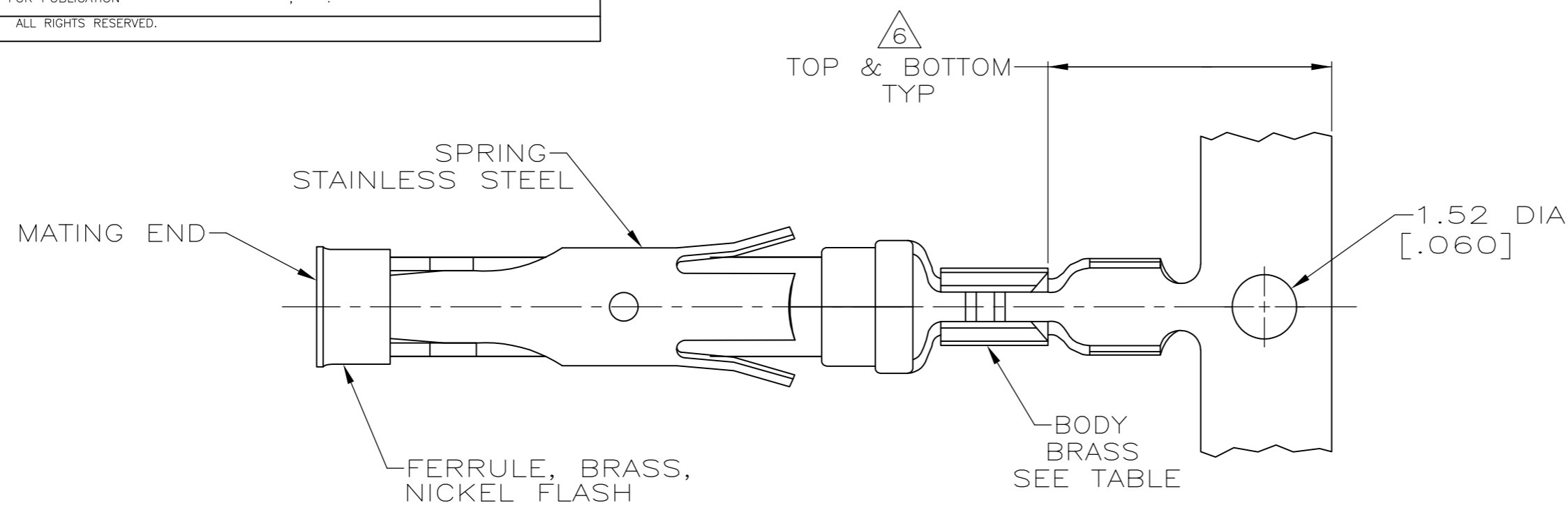
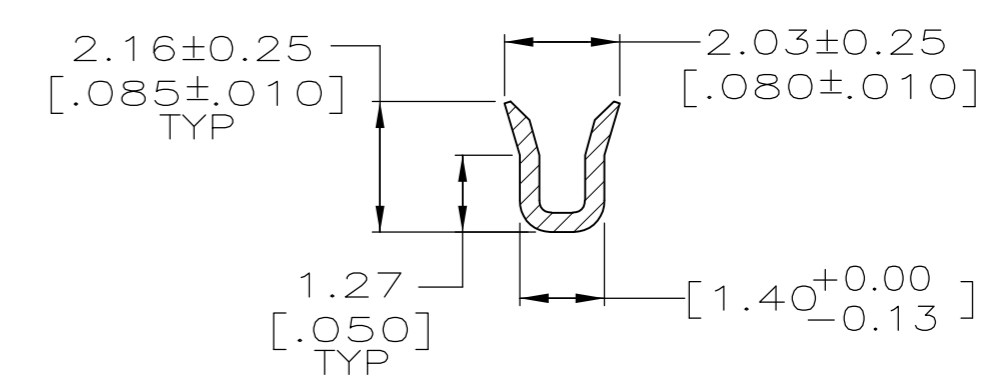
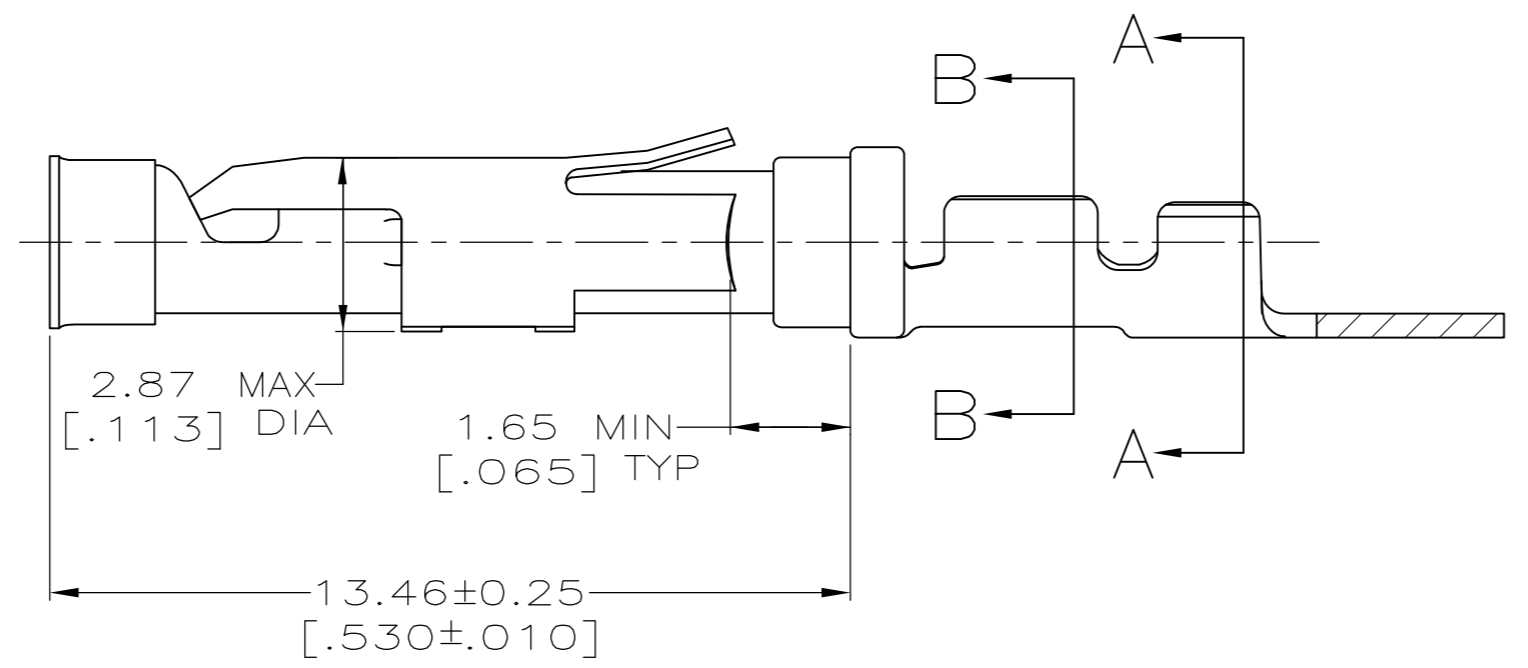
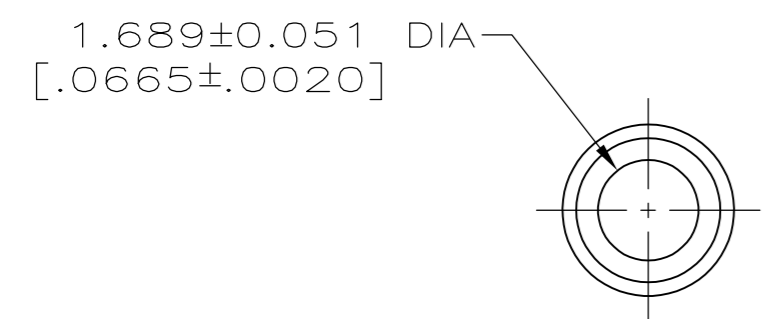


THIS DRAWING IS UNPUBLISHED. RELEASED FOR PUBLICATION
 © COPYRIGHT - By - ALL RIGHTS RESERVED.

LOC	DIST	REVISIONS			
P	LTR	DESCRIPTION	DATE	DWN	APVD
FT	0	T	REVISED PER ECO-12-012320	04JUL12	KH MZ



SECTION A-A



SECTION B-B

- 1 0.76 μm [.000030] MIN GOLD PER MIL-G-45204 ON MATING END FOR FOR A LENGTH OF 5.08 [.200] MIN WITH 1.27 μm [.000050] MIN MATTE TIN PLATE IN WIRE CRIMP AREA, BOTH OVER 0.76 μm [.000030] MIN NICKEL PER QQ-N-290.
- 2 1.27 μm [.000050] MIN TIN-LEAD PER MIL-T-10727 OVER 0.76 μm [.000030] MIN NICKEL PER QQ-N-290.
- 3 0.76 μm [.000030] MIN GOLD PER MIL-G-45204 ON MATING END FOR A LENGTH OF 5.08 [.200] MIN WITH A UNIFORM GRADIENT TO 0.25 μm [.000010] MIN GOLD PER MIL-G-45204 ON THE REMAINDER OVER 0.76 μm [.000030] MIN NICKEL PER QQ-N-290.
- 4 0.38 μm [.000015] MIN GOLD PER MIL-G-45204 ON MATING END FOR FOR A LENGTH OF 5.08 [.200] MIN WITH 1.27 μm [.000050] MIN MATTE TIN PLATE IN WIRE CRIMP AREA, BOTH OVER 0.76 μm [.000030] MIN NICKEL PER QQ-N-290.
- 5 1.27 μm [.000050] MIN GOLD PER MIL-G-45204 ON MATING END FOR A LENGTH OF 5.08 [.200] MIN WITH GOLD FLASH ON REMAINDER OVER 1.90 μm [.000075] MIN NICKEL PER QQ-N-290.
- 6 GOLD PLATING NEED NOT APPEAR IN THIS AREA EXCEPT 66424-9 HAS GOLD PLATING ON INSULATION BARREL.
- 7 REVERSE REELED FOR MINI-APPLICATOR.
- 8. WIRE RANGE 26-30 AWG. INSULATION RANGE 1.02 [.040]-1.52 [.060].
- 9 0.38 μm [.000015] MIN GOLD PER MIL-G-45204 ON MATING END FOR A LENGTH OF 5.08 [.200] MIN, 1.27 μm [.000050] MIN TIN-LEAD PER MIL-T-10727 FOR A LENGTH OF 5.69 [.224] MIN ON OPPOSITE END, BOTH OVER 1.27 μm [.000050] MIN NICKEL PER QQ-N-290 ON ENTIRE CONTACT.
- 10 1.27 μm [.000050] MIN TIN PER MIL-T-10727 OVER 0.76 μm [.000030] MIN NICKEL PER QQ-N-290.
- 11 OBSOLETE PARTS: OBSOLETE CIS STREAMLINING PER D.RENAUD/D.SINISI

	7	10		1-66424-1
OBSOLETE	7	9	66428-5	1-66424-0
OBSOLETE	7	5	-	66424-9
	7	1	66428-4	66424-8
	7	4	66428-3	66424-7
	7	2	-	66424-6
OBSOLETE	7	3	66428-1	66424-5
	STANDARD	4	66428-3	66424-3
OBSOLETE	STANDARD	3	66428-1	66424-1
	REELING	BODY FINISH	LOOSE PIECE REF	PART NO.

THIS DRAWING IS A CONTROLLED DOCUMENT.		DWN R.SHIREY 08/06/91		
DIMENSIONS: mm [INCHES]		CHK R.STONE 9-19-91		
TOLERANCES UNLESS OTHERWISE SPECIFIED:		APVD -	NAME	
0 PLC ± -		PRODUCT SPEC -	SOCKET ASSEMBLY, .062, TYPE III+	
1 PLC ± -		APPLICATION SPEC -	SIZE	CAGE CODE
2 PLC ± 0.13 [.005]		WEIGHT -	A2	00779
3 PLC ± -		CUSTOMER DRAWING	DRAWING NO	RESTRICTED TO
4 PLC ± -			C=66424	-
ANGLES ± -		SCALE	8:1	SHEET
FINISH			1 OF 1	REV
SEE CALLOUTS			T	