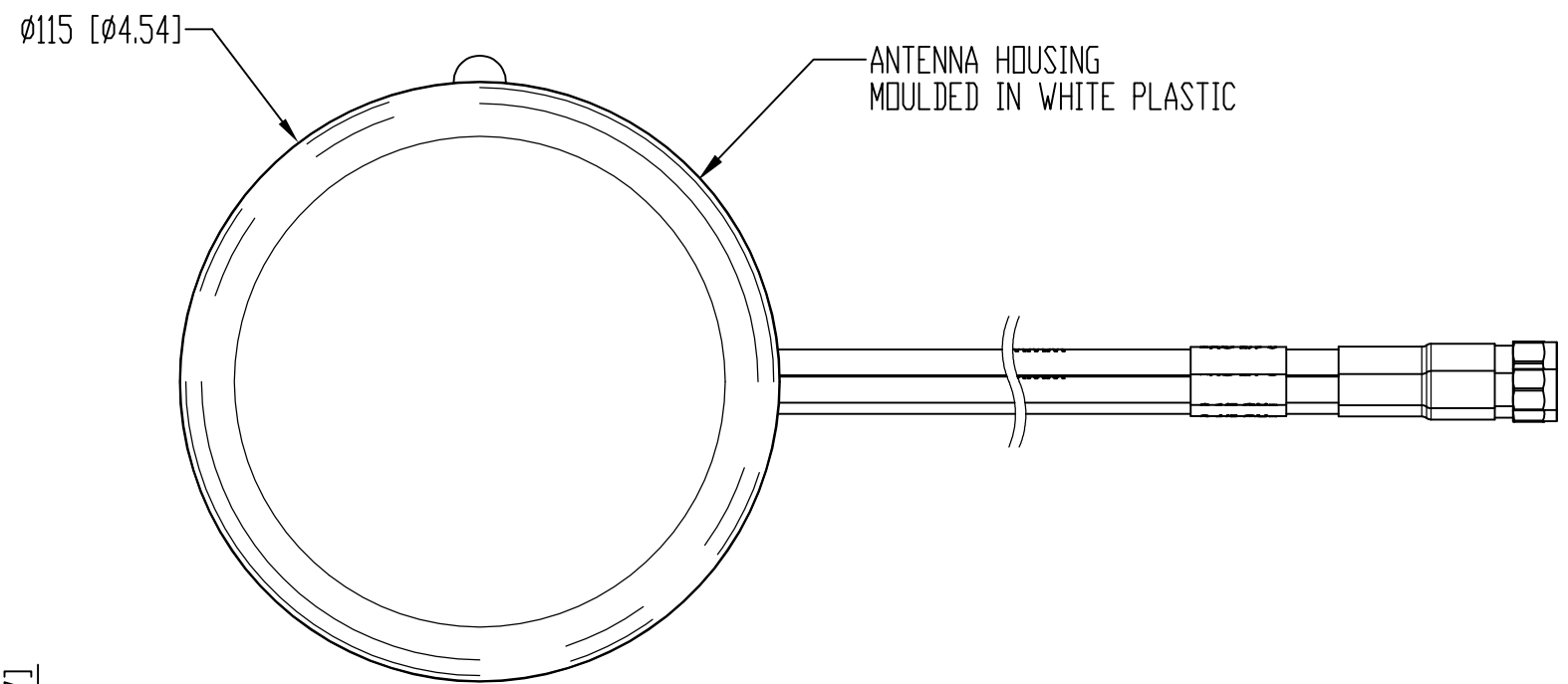
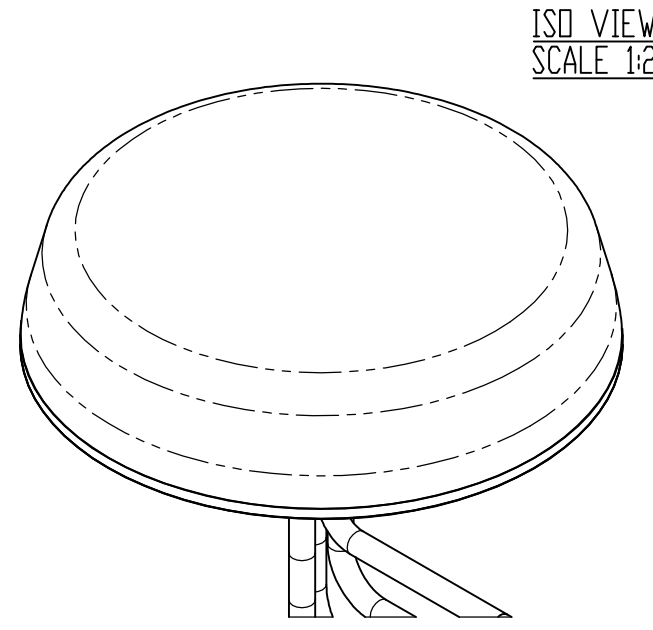
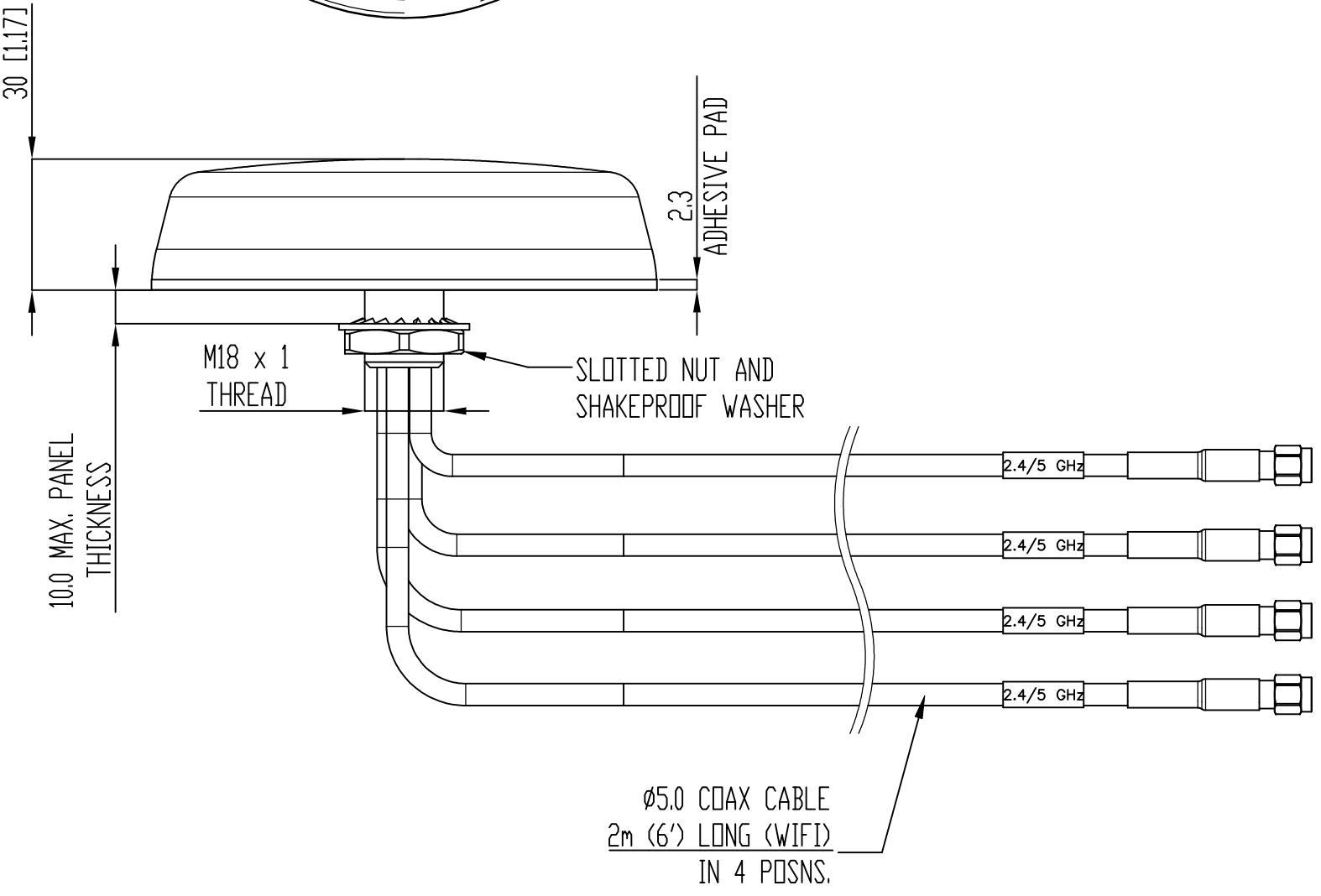


REVISIONS				
P	LTR	DESCRIPTION	DATE	APVD
A		INITIAL RELEASE	27NOV2018	GK ES



- NOTES:
- OPERATING FREQUENCIES:  
WIFI FEED: 2400/4900-6000 MHz
  - ALL MATERIALS SUPPLIED MUST BE RoHS2 (DIRECTIVE 2011/65/EU) COMPLIANT AND MUST NOT CONTAIN ANY SUBSTANCES OF VERY HIGH CONCERN (SVHCs) LISTED UNDER REACH OR POLY-AROMATIC HYDROCARBONS (PAHs), OR PERSISTENT ORGANIC POLLUTANTS (POPs) CONTROLLED BY THE STOCKHOLM CONVENTION.
  - PATTERN: OMNI-DIRECTIONAL.
  - MAX. INPUT POWER: 10W.
  - OPERATING TEMPERATURE: -30°/+70°C (-22°/+158°F).
  - MATERIAL: GELOY HRA 222F.
  - CABLE MATERIAL: CS32 FLAME RETARDANT TO UN118.01/EN6722/EN45545-2
  - WEIGHT: 225g.
  - TESTED AND APPROVED ACCORDING TO EN45545-2(HL1-3)



2344721-6	CEILING MOUNT ANTENNA MIMO 4X4	RIGHT-ANGLED N PLUGS	WHITE
2344721-5	CEILING MOUNT ANTENNA MIMO 3X3		
2344721-4	CEILING MOUNT ANTENNA MIMO 2X2	REVERSE POLARITY SMA PLUGS	
2344721-3	CEILING MOUNT ANTENNA MIMO 4X4		
2344721-2	CEILING MOUNT ANTENNA MIMO 3X3		
2344721-1	CEILING MOUNT ANTENNA MIMO 2X2		
TE P/N	DESCRIPTION	TERMINATION	COLOR

THIS DRAWING IS A CONTROLLED DOCUMENT.		DWN GOPALKRISHNA H.V.	TE Connectivity	
DIMENSIONS: mm [INCHES]		CHK E STELLINGA	CEILING MOUNT ANTENNA MIMO	
TOLERANCES UNLESS OTHERWISE SPECIFIED:		APVD E STELLINGA	-	
0 PLC ± 0.5		PRODUCT SPEC	-	
1 PLC ± 0.2		APPLICATION SPEC	-	
2 PLC ± 0.1		SIZE	A2	RESTRICTED TO
3 PLC ± -		CAGE CODE	00779	
4 PLC ± -		DRAWING NO	C-2344721	
ANGLES ± 1°		WEIGHT	0	
MATERIAL		CUSTOMER DRAWING		
FINISH		SCALE	1:1	SHEET 1 of 1
		REV	A	

2344721