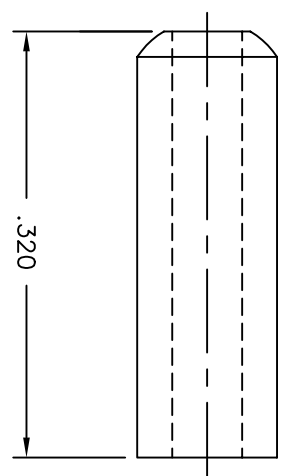
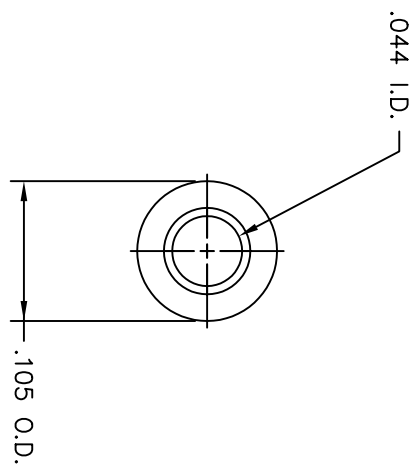


REVISIONS				
REV. SYM.	E.C.O. NUMBER	DESCRIPTION	BY DATE	APP'D DATE
1		ORIGINAL RELEASE	JML 6/17/03	RRR 6/17/03

**UNCONTROLLED DOCUMENT
WILL NOT BE UPDATED**



RESTRICTED & CONFIDENTIAL <small>CONFIDENTIAL PROPERTY OF DANIELS MANUFACTURING CORP. NOT TO BE DISCLOSED TO OTHERS, REPRODUCED OR USED FOR ANY OTHER PURPOSE, EXCEPT AS AUTHORIZED BY DANIELS MANUFACTURING CORP. ON COMPLETION OF ORDER OR OTHER PURPOSE FOR WHICH LENT.</small>		MATERIAL		ITEM		PART NO.		DESCRIPTION/REMARKS			
				FINISH		<small>DRW. J. JOYCE 6/17/03</small> <small>CHK'D. RRR 6/17/03</small> <small>APP'D. DATE</small>		<small>DATE</small> <small>DATE</small> <small>DATE</small>		Daniel's Manufacturing Corp. <small>ORLANDO, FLORIDA</small> <small>CAGE 11851</small>	
DO NOT SCALE DRAWING		HEAT TREAT		<small>NOTE:</small> <small>THIS DRAWING IS AN OUTLINE DRAWING OF THE RESPECTIVE PART NUMBER IS DRAWING NUMBER WITHOUT THE "-ENV" SUFFIX.</small>		<small>WHERE USED:</small> <small>SCALE</small>		<small>CAD P/A</small>		<small>SHEET</small>	
						<small>10/1</small>		<small>F10-04-ENV</small>		<small>1</small>	
						<small>POSTING</small>		<small>DWG. NO.</small>		<small>REV.</small>	
						<small>F10-04-ENV</small>		<small>F10-04-ENV</small>		<small>1</small>	

2. FERRULES ARE PACKAGED IN GROUPS OF 50 PIECES.
1. MATERIAL: AMS 5570 (UNS S32100) SEAMLESS TUBING,

NOTES: