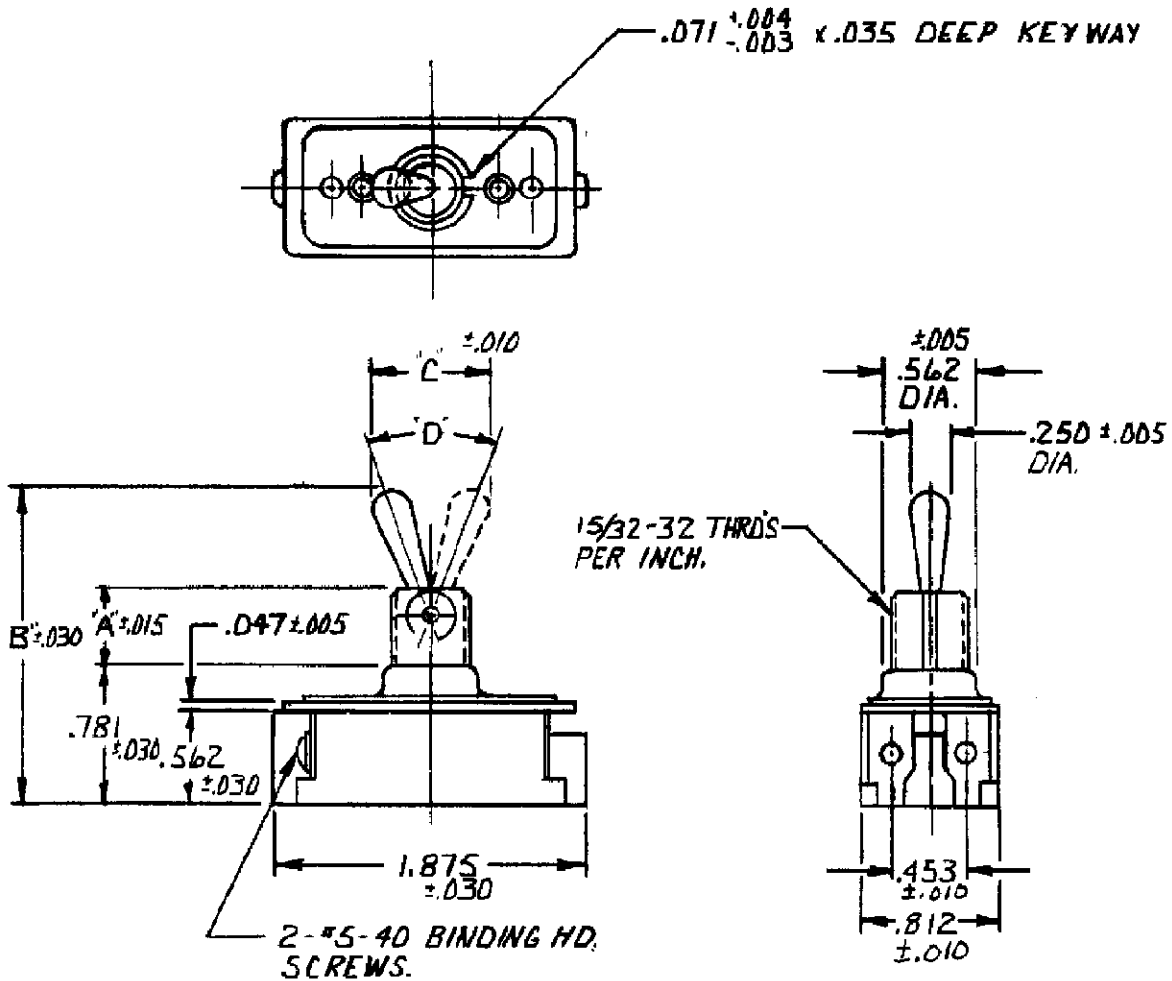


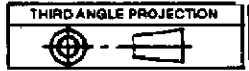
TITLE DIMENSIONS FOR DBL. POLE TOOL HD'L. SW. FOR EUROPEAN USE

ORDER NO.	702A575014		BASIC SPECS. SUMMARY	
			M. R. R. G. 11-26-76	DR MICHAEL WHITEO 1/8/76
			702A575014	ADD Richard Beard
A	REVISED PER ECO-11-005294	18APR11	HMR	CHK. J. SMITH 1-14-76
LTR	REVISION RECORD	DATE	CHK	1520237 REV A





37 $\frac{1}{2}$ °	7321	.469	1.922	.719
50° ± 4°	7321	.344	1.766	.844
"D"	CAT. NO.	A	B	C



TITLE DIMENSIONS FOR SINGLE POLE ONE HANDLE MTG. TOOL HANDLE SWITCH.

ORDER NO. 9310N10 BASIC SPECS. SUMMARY

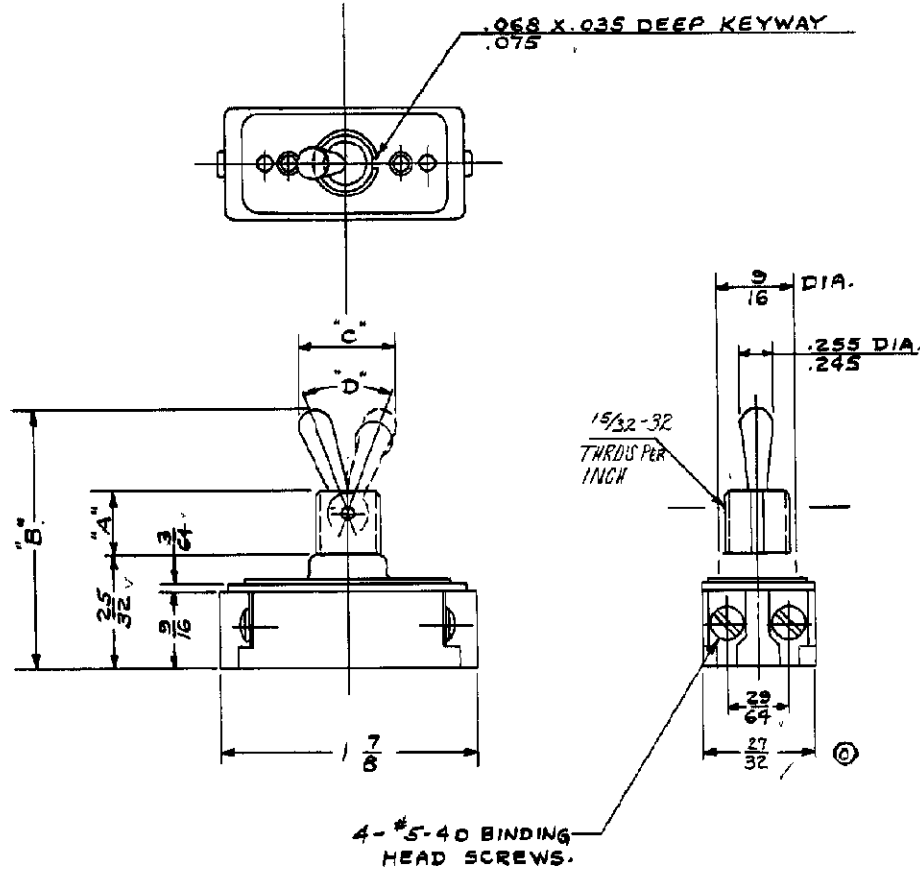
DR.	JEFF BROTHERS	11/27/04	APP.	Bill Newland
CHK.	GLENN STORV	11/27/04		1520237
			REV	A

SEE SHEET 1



1520237

RAW MAT SPEC WITH
PART NO AND AMOUNT REQ'D.



37±4°	7320	15/32	159/64	21/32
50±4°	7320	11/32	149/64	21/32
"D"	CAT. NO.	A	B	C

BULLETIN
DIMENSIONS FOR ~~TYPE 7320~~, ONE HOLE MTG. TOOL HANDLE SWITCH

DR.	E. R. Leonard	11/18/40	1520237
CHKD.	J. P. Pacla	10/14/40	SUP. S.
APP.		10/15/40	NON-INTERCHANGEABLE
			SUP. D BY
			NON-INTERCHANGEABLE
			SURFACE COATING

DO NOT SCALE DRAWING. WORK ACCORDING TO DIMENSIONS.

STANDARD TOLERANCES 90-875 APPLY TO DIMENSIONS SCALE 1" = 1"

SEE SHEET 1	ORDER NO.	DEV.	4041-10	A	REV	A
-------------	-----------	------	---------	---	-----	---

STE TE Connectivity

FORM NO. 7
DIMENSIONS ON THIS DRAWING
15-40
SCHILLER
15-40
CLOSE